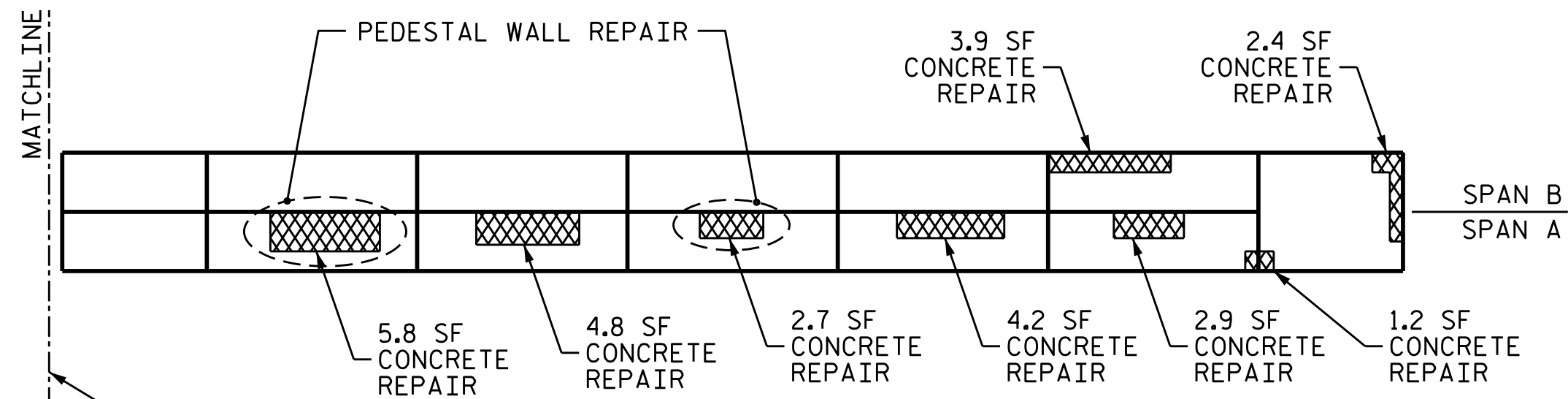
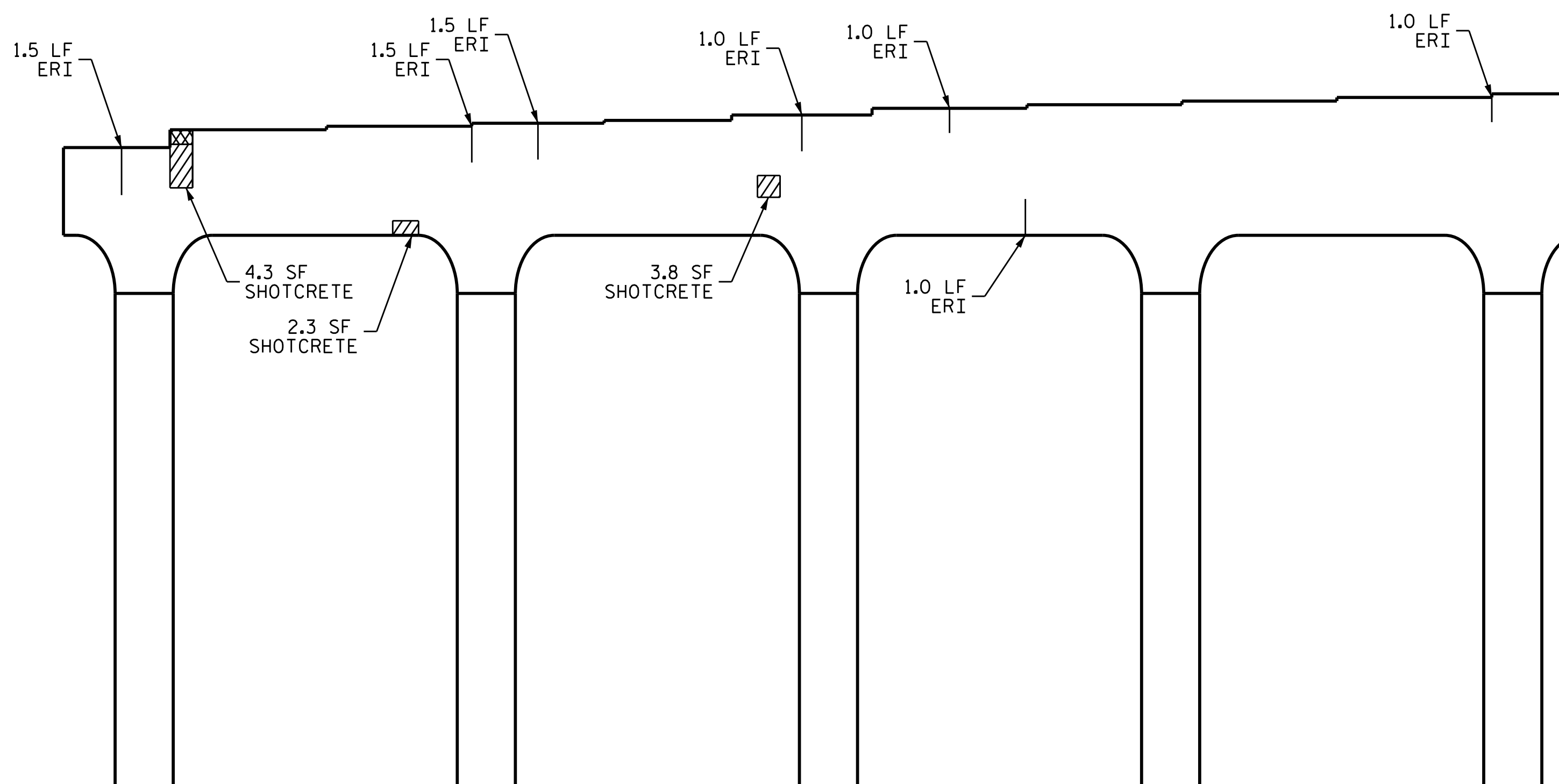


TOP OF CAP

PLAN

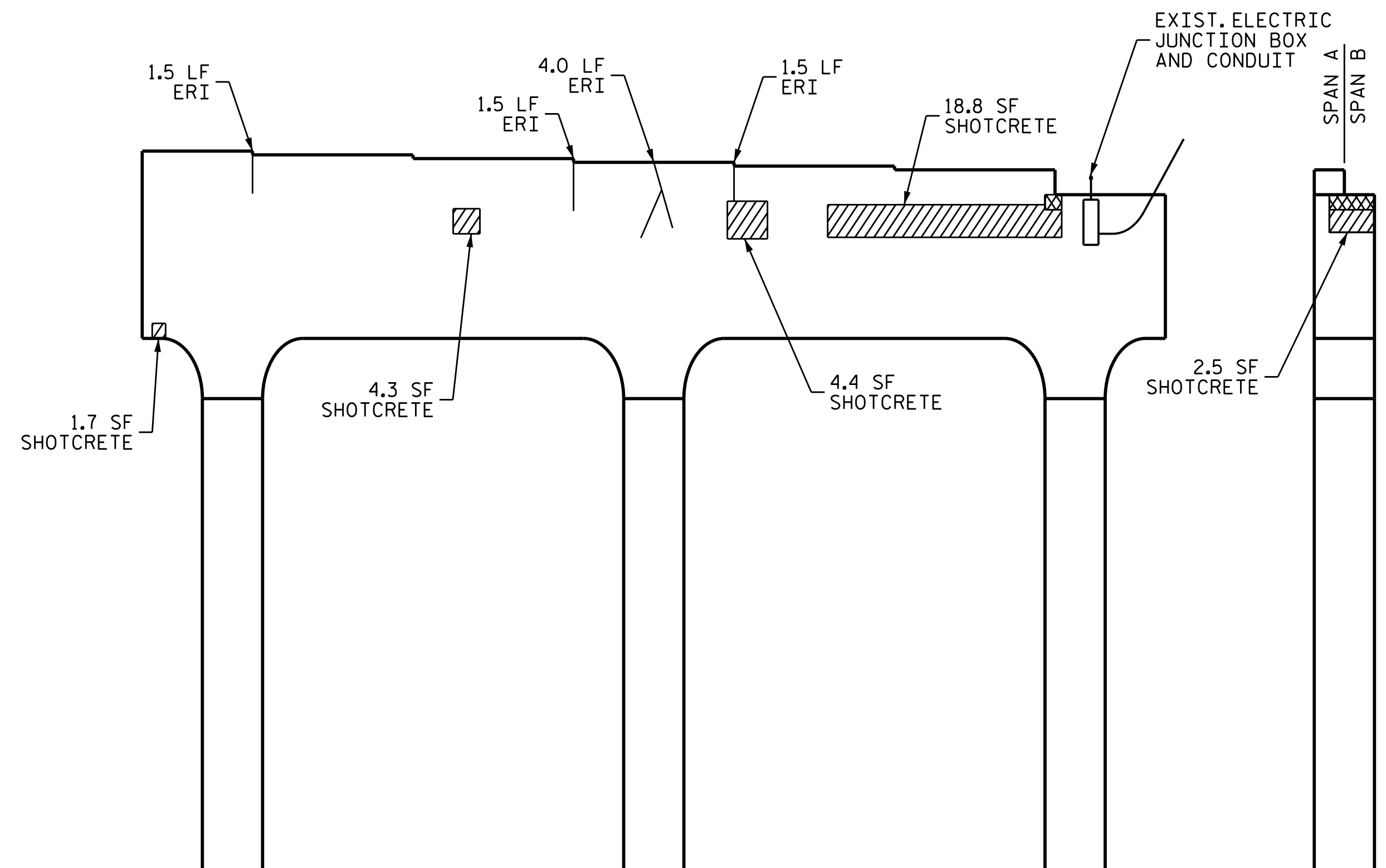


TOP OF CAP



ELEVATION  
 BENT 1 NORTHBOUND  
 SPAN A FACE

END VIEW



ELEVATION  
 BENT 1 SOUTHBOUND  
 SPAN A FACE

END VIEW

**NOTES:**

REPAIR LOCATIONS AND ESTIMATE OF QUANTITIES ARE BASED ON THE BEST INFORMATION AVAILABLE. IF ADDITIONAL REPAIRS NOT SHOWN ON THE DRAWINGS ARE DEEMED NECESSARY BY THE ENGINEER, THE ENGINEER WILL NOTE ON THE DRAWINGS THE APPROXIMATE LOCATION AND DESCRIPTION OF THE REPAIRS AND ENTER THE ACTUAL QUANTITIES INTO THE AS-BUILT REPAIR QUANTITY TABLE.

CONCRETE REPAIRS MAY BE SUBSTITUTED IN LIEU OF SHOTCRETE REPAIRS WITH THE APPROVAL OF THE ENGINEER.

FOR CAP REPAIRS, SEE "TYPICAL CAP AND COLUMN REPAIR DETAILS" SHEET.

PEDESTAL WALL REPAIR, SEE "TYPICAL CAP AND COLUMN REPAIR DETAILS" SHEET.

FOR SHOTCRETE REPAIRS, SEE SPECIAL PROVISION.

FOR CONCRETE REPAIRS, SEE SPECIAL PROVISION.

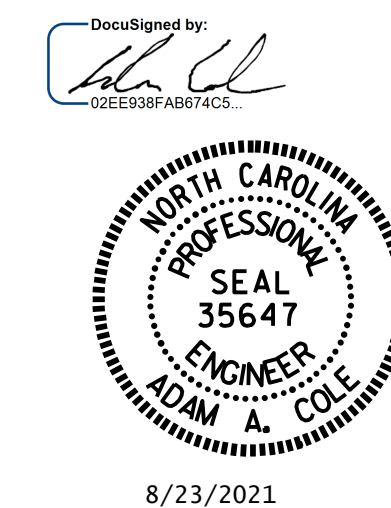
FOR EPOXY RESIN INJECTION, SEE SPECIAL PROVISION.

CLEAN AND REMOVE DEBRIS FROM THE TOP OF THE CAP. EPOXY COATING SHALL BE APPLIED TO THE TOP SURFACE OF THE CAP. THE CONTRACTOR SHALL NOT COAT THE AREA OF THE CAP BENEATH THE MASONRY PLATES. FOR EPOXY COATING, SEE SPECIAL PROVISIONS.

AS-BUILT REPAIR QUANTITY TABLE				
BENT 1 SPAN A	QUANTITIES			
	ESTIMATE		ACTUAL	
SHOTCRETE REPAIRS	AREA SQ. FT.	VOLUME CU. FT.	AREA SQ. FT.	VOLUME CU. FT.
CAP	42.1	21.1		
COLUMNS	0.0	0.0		
CONCRETE REPAIRS	AREA SQ. FT.	VOLUME CU. FT.	AREA SQ. FT.	VOLUME CU. FT.
CAP	63.5	31.8		
EPOXY RESIN INJECTION		LIN. FT.		LIN. FT.
CAP		17.0		
COLUMNS		0.0		
EPOXY COATING	AREA SQ. FT.		AREA SQ. FT.	
CAP	585			

VALUES IN CHART REPRESENT ESTIMATED REPAIR TOTALS AFTER REMOVAL OF UNSOUND CONCRETE, MINIMUM OF 1" BEHIND REBAR AND MINIMUM 2" CLEARANCE TO SAWCUT. SEE REPAIR DETAILS.

- SHOTCRETE REPAIR AREA
- CONCRETE REPAIR AREA
- EPOXY RESIN INJECTION (ERI)



PROJECT NO. I-5746C  
 MECKLENBURG COUNTY  
 BRIDGE NO. 590326

SHEET 1 OF 2

STATE OF NORTH CAROLINA  
 DEPARTMENT OF TRANSPORTATION  
 RALEIGH

**BENT 1  
 SPAN A FACE**

DRAWN BY : R.L. PUTEK DATE : 05/2021  
 CHECKED BY : H.A. LOCKLEAR DATE : 05/2021

DOCUMENT NOT CONSIDERED FINAL UNLESS ALL SIGNATURES COMPLETED

REVISIONS						SHEET NO.
NO.	BY:	DATE:	NO.	BY:	DATE:	S6-12
1			3			TOTAL SHEETS
2			4			274