

NOTES

PROFILE INFORMATION IS TAKEN FROM THE ORIGINAL PLANS AND ROUTINE INSPECTION REPORT DATED 05/06/2020.

BRIDGE ORIENTATION CONFORMS TO EXISTING BRIDGE PLANS.

SCOPE OF WORK

REMOVE ASPHALT WEARING SURFACE FROM APPROACH SLABS AND PARTIALLY REMOVE BRIDGE DECK CONCRETE BY SCARIFICATION AND HYDRODEMOLITION METHODS.

OVERLAY PREPARED TOP OF BRIDGE DECK WITH LATEX MODIFIED CONCRETE-EARLY STRENGTH (LMC-ES).

GROOVE LATEX MODIFIED CONCRETE-EARLY STRENGTH BRIDGE DECK.

REMOVE AND REPLACE EXISTING FOAM JOINTS.

CLEAN AND PAINT BEARINGS WITH HRCSA.

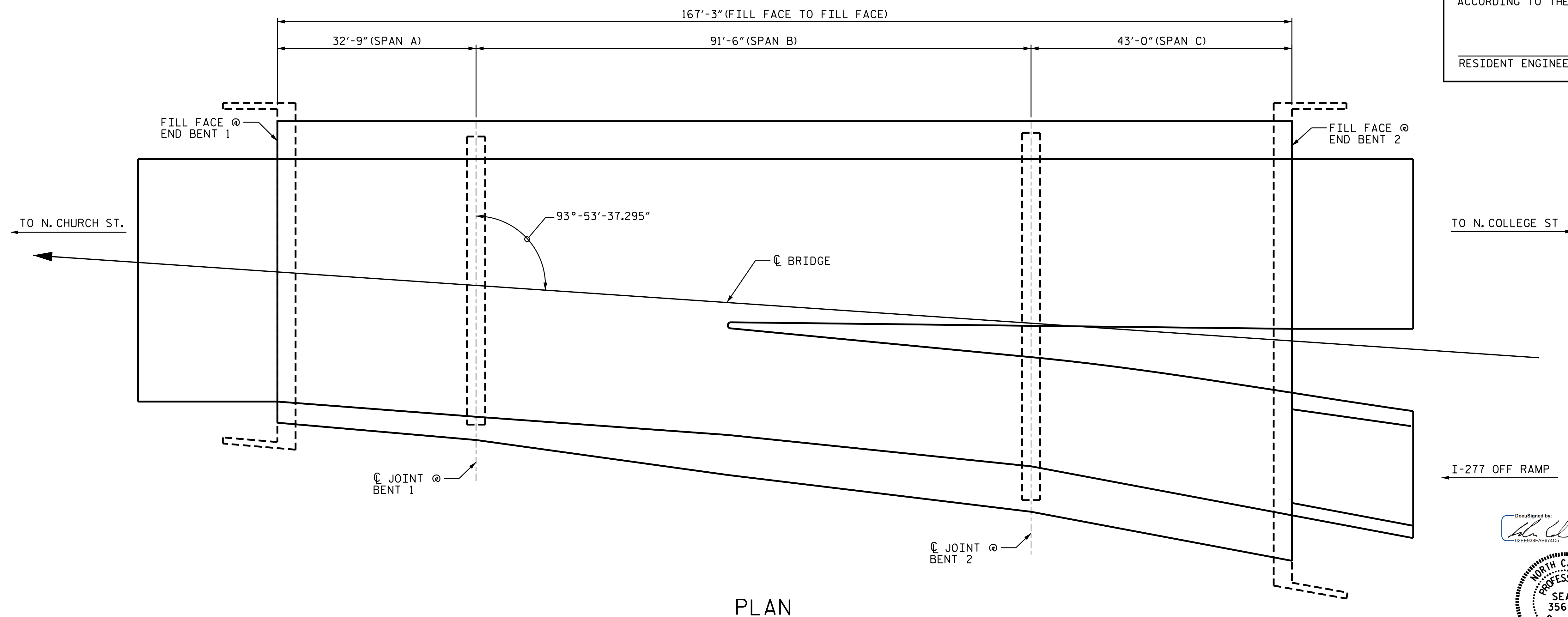
REMOVE UNSOUND CONCRETE AND PROPERLY PREPARE SHOTCRETE AND CONCRETE REPAIR AREAS.

PERFORM SHOTCRETE AND CONCRETE REPAIRS IN PREPARED AREAS.

EPOXY INJECTION OF CONCRETE CRACKS.

REMOVE DEBRIS FROM TOP OF BENT CAPS AND APPLY EPOXY COATING.

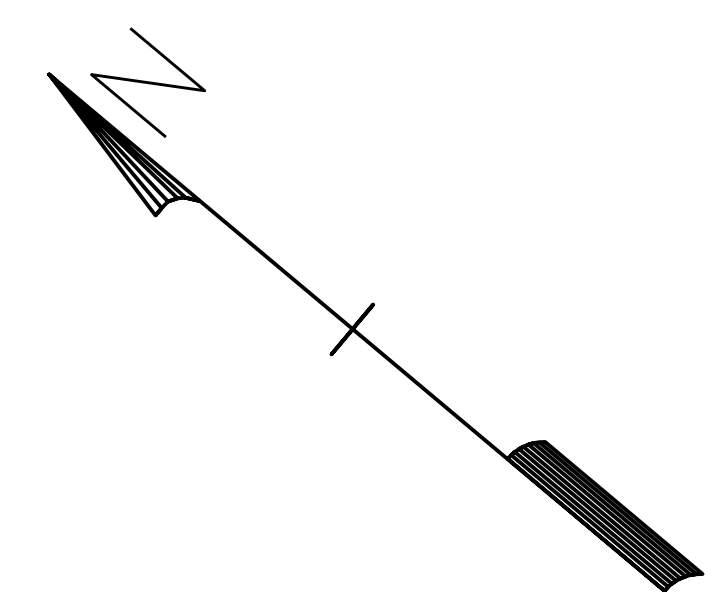
SECTION ALONG Q BRIDGE



PLAN

I HEREBY CERTIFY THAT THIS STRUCTURE WAS REHABILITATED ACCORDING TO THESE PLANS OR AS NOTED HEREIN.

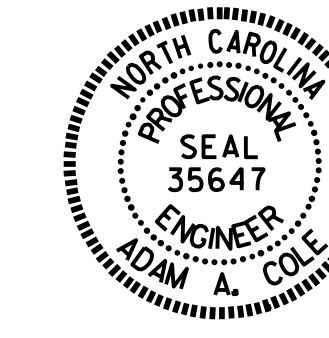
RESIDENT ENGINEER _____ DATE _____



PROJECT NO. I-5746C
MECKLENBURG COUNTY
 BRIDGE NO. 590138

SHEET 1 OF 2

DocuSigned by:
 02E839FAB014CS...



8/23/2021

STATE OF NORTH CAROLINA
 DEPARTMENT OF TRANSPORTATION
 RALEIGH
GENERAL DRAWING
 FOR BRIDGE ON
 EAST 12TH ST.
 OVER TRYON ST.

DRAWN BY : E. BAYISSA DATE : 05/2021
 CHECKED BY : H.A. LOCKLEAR DATE : 05/2021

DOCUMENT NOT CONSIDERED
 FINAL UNLESS ALL
 SIGNATURES COMPLETED

REVISIONS						SHEET NO.
NO.	BY:	DATE:	NO.	BY:	DATE:	S3-01
1			3			TOTAL SHEETS
2			4			274