

AS-BUILT REPAIR QUANTITY TABLE

UNDERSIDE OF DECK REPAIRS

SHOTCRETE REPAIRS	ESTIMATE		ACTUAL	
	AREA SQ. FT.	VOLUME CU. FT.	AREA SQ. FT.	VOLUME CU. FT.
UNDERSIDE OF DECK	0.0	0.0		
UNDERSIDE OF OVERHANG	1.5	0.5		
INTERIOR DIAPHRAGMS	0.0	0.0		
	ESTIMATE		ACTUAL	
UNDERSIDE EPOXY RESIN INJECTION	0.0 LIN. FT.			

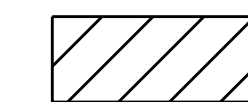
UNDERSIDE OF DECK REPAIR QUANTITIES REPRESENT ESTIMATED VALUES OF DECK REPAIR TOTALS AFTER REMOVAL OF UNSOUND CONCRETE, MINIMUM OF 1" BEHIND REBAR AND MINIMUM OF 2" CLEAR TO SAWCUT. SEE REPAIR DETAILS.

NOTES:

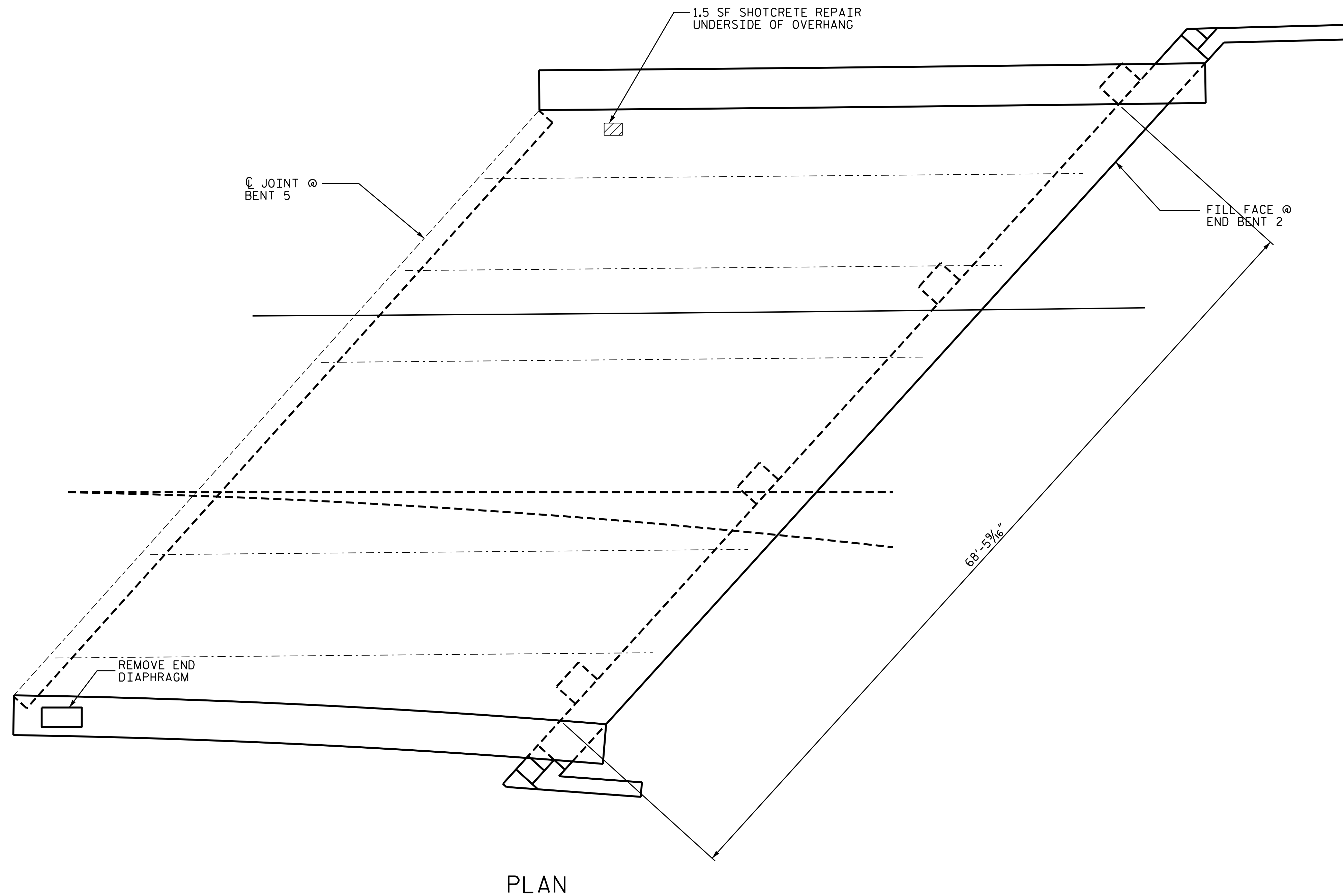
REPAIR LOCATIONS AND ESTIMATED QUANTITIES ARE BASED ON THE BEST INFORMATION AVAILABLE. IF ADDITIONAL REPAIRS NOT SHOWN ON THE DRAWINGS ARE DEEMED NECESSARY BY THE ENGINEER, THE ENGINEER WILL NOTE ON THE DRAWINGS THE APPROXIMATE LOCATIONS AND DESCRIPTION OF THE REPAIRS AND ENTER THE ACTUAL QUANTITIES INTO THE AS-BUILT REPAIR QUANTITY TABLE.

AT LOCATIONS INDICATED, CONCRETE, REINFORCING STEEL AND OTHER COMPONENTS OF EXTERIOR END DIAPHRAGMS SHALL BE REMOVED FLUSH TO THE BOTTOM OF THE DECK AND THE SIDE OF THE BEAMS/GIRDERS. AFTER REMOVAL, ENDS OF EXPOSED STEEL COMPONENTS SHALL BE COATED WITH EPOXY. NO SEPARATE PAYMENT WILL BE MADE FOR THIS WORK. COSTS FOR THIS WORK SHALL BE INCLUDED IN OTHER PAY ITEMS.

* FOR UNDERSIDE OF DECK AND DIAPHRAGM REPAIRS, SEE "OVERHANG, DIAPHRAGM AND BRIDGE RAIL REPAIR DETAILS" SHEET.



UNDERSIDE REPAIR



PLAN

PROJECT NO. I-5746C
MECKLENBURG COUNTY
 BRIDGE NO. 590044

SHEET 6 OF 6

DocuSigned by:

 02E839F4B074C5...



8/23/2021

STATE OF NORTH CAROLINA
 DEPARTMENT OF TRANSPORTATION
 RALEIGH

DECK UNDERSIDE
 REPAIRS
 SPAN F

DRAWN BY : REZA KOUCHEKI DATE : 5/2021
 CHECKED BY : ASRA YASMEEN DATE : 5/2021

DOCUMENT NOT CONSIDERED
 FINAL UNLESS ALL
 SIGNATURES COMPLETED

REVISIONS						SHEET NO.
NO.	BY:	DATE:	NO.	BY:	DATE:	
1			3			S1-9
2			4			TOTAL SHEETS 274