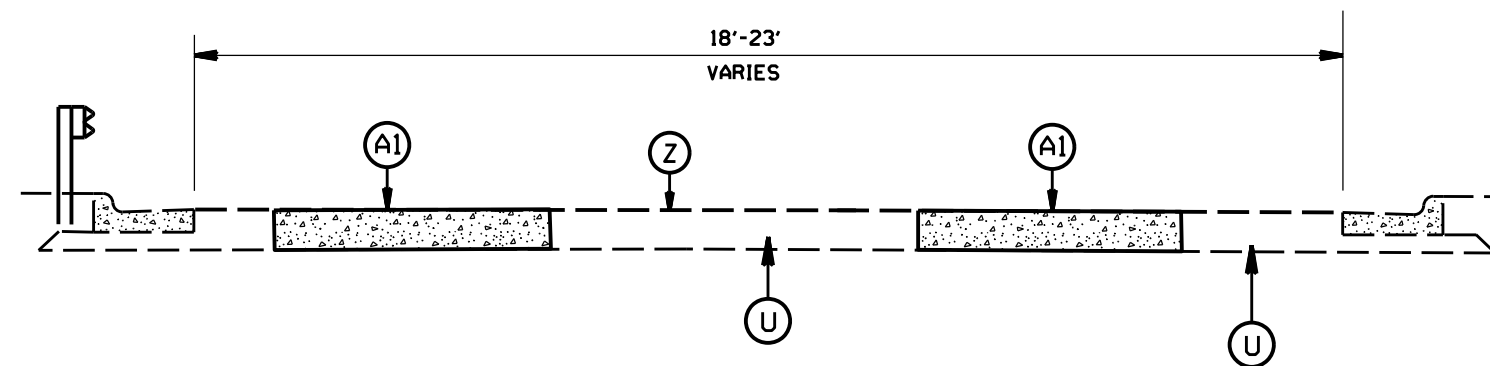
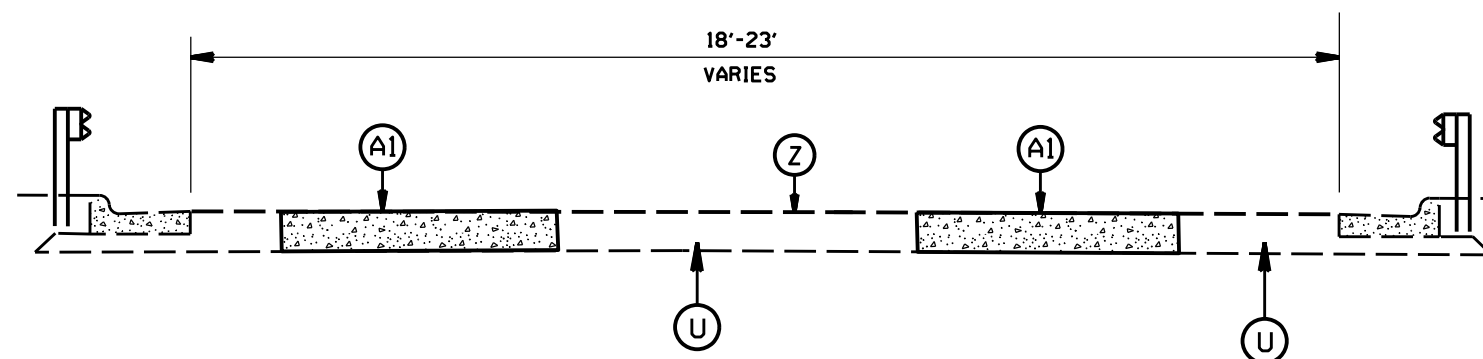


STATE	PROJECT NO.	SHEET NO.	TOTAL SHEETS
N.C.	I-5746 C	10	
WBS NO. 52024.3.4.			

PAVEMENT SCHEDULE	
A1	APPROX. 12" PCC SLAB REPAIR IN VARIOUS LOCATIONS
A2	PATCHING CONCRETE PAVEMENT SPALLS IN VARIOUS LOCATIONS
C1	APPROX. 5/8" ULTRA-THIN BONDED WEARING COURSE, AT AN AVERAGE RATE OF 70 LBS. PER SQ. YD.
C2	APPROX. 1.5" ASPHALT CONCRETE SURFACE COURSE, TYPE S9.5C AT AN AVERAGE RATE OF 168 LBS. PER SQ. YD.
U	EXISTING PAVEMENT
V1	FINE MILLING 5/8" DEPTH
V2	MILLING 1.5" DEPTH
Y	MILLED RUMBLE STRIPS
Z	JOINT CONSTRUCTION REPAIR AND SEALING



TYPICAL SECTION NO.8



TYPICAL SECTION NO.9

CONSTRUCTION NOTE:

REFER TO NORTH CAROLINA DEPARTMENT OF TRANSPORTATION PROCEDURES MANUAL FOR PARTIAL AND FULL DEPTH REPAIR OF PORTLAND CEMENT CONCRETE PAVEMENT.

I-5746 C INTERSTATE I-277
PAVEMENT REHABILITATION
MECKLENBURG COUNTY

SCALE	-NA-		REVISIONS
DATE	4/18		8/10/21
DWG. BY	JHE		
DESIGN BY	JHE		
APPROVED			