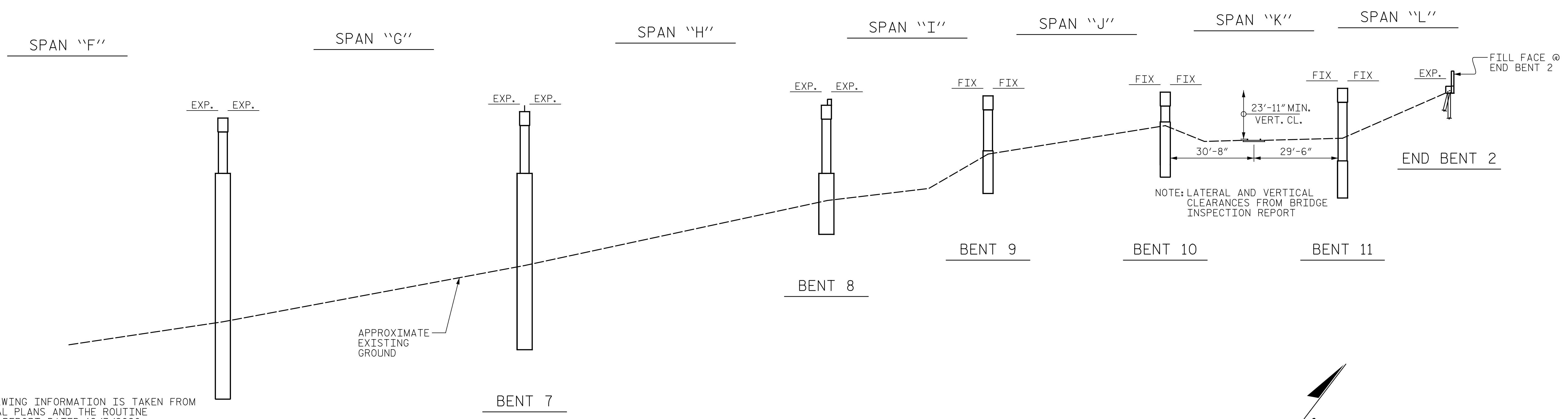
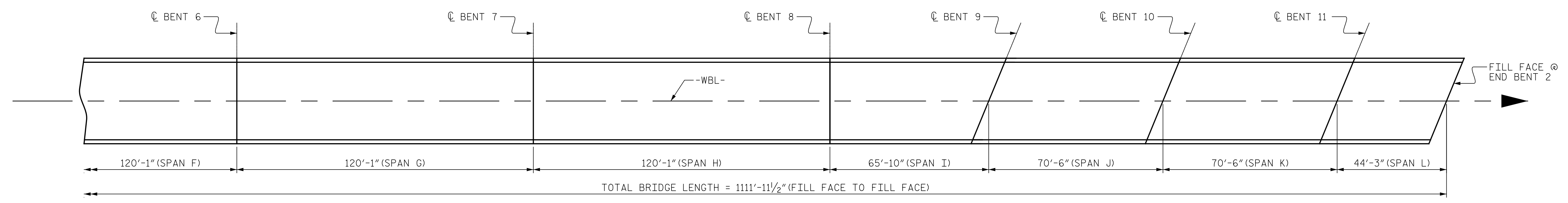
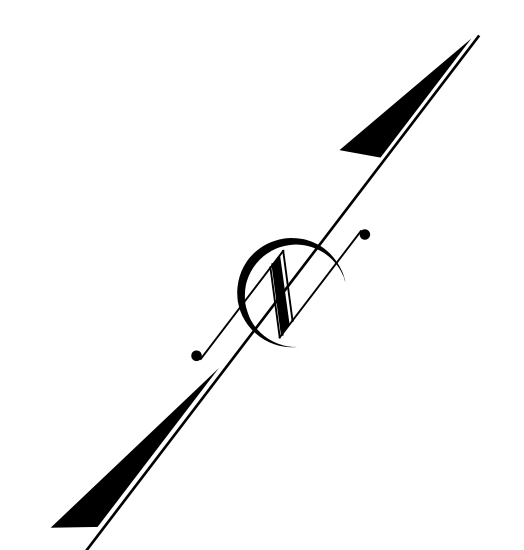


p:\gfn\pw\ben\pnet-pw-01\Documents\Projects\63639\Task 010 B-4626\Discipline\Struct\DN\Rowan 8\Rowan 8 TOTAL PRJ 9/2/2021 3:38:06 PM pdf_mono_gfclt_FS.plt Rowan.pen.tbl



NOTES:
GENERAL DRAWING INFORMATION IS TAKEN FROM THE ORIGINAL PLANS AND THE ROUTINE INSPECTION REPORT DATED 12/3/2020.
BRIDGE ORIENTATION CONFORMS TO THE EXISTING BRIDGE PLANS.

SECTION ALONG CL BRIDGE
(SECTION AT BENTS AND END BENTS ARE AT RIGHT ANGLES)



PARTIAL PLAN
(PILES NOT SHOWN FOR CLARITY)

PROJECT NO. B-4626
STANLY, ROWAN
AND DAVIDSON COUNTY
BRIDGE NO. 790008

SHEET 2 OF 3

STATE OF NORTH CAROLINA
DEPARTMENT OF TRANSPORTATION
RALEIGH

GENERAL DRAWING
FOR -WBL- BRIDGE OVER YADKIN
RIVER AND WINSTON-SALEM
SOUTHBOUND RR ON NC 8/49
BETWEEN SR 1578 AND SR 2543



DocuSigned by:
Eric B. Nelson 9/2/2021
1921460

DOCUMENT NOT CONSIDERED FINAL UNLESS ALL SIGNATURES COMPLETED

PLANS PREPARED BY:
Gannett Fleming
Excellence Delivered As Promised

One Glenwood Avenue
Suite 900
Raleigh, NC 27603
(919) 420-7660
NC Lic. No. F-0270

DRAWN BY : M. LEE DATE : 3/2021
CHECKED BY : R. NELSON DATE : 4/2021

REVISIONS						SHEET NO.
NO.	BY:	DATE:	NO.	BY:	DATE:	S2-2
1			3			TOTAL SHEETS
2			4			125