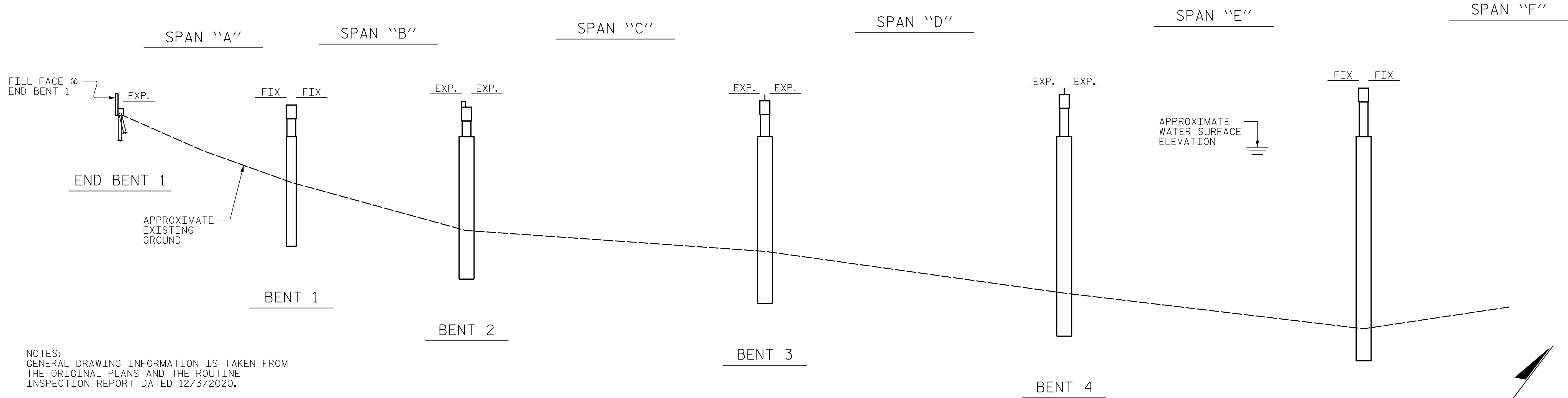


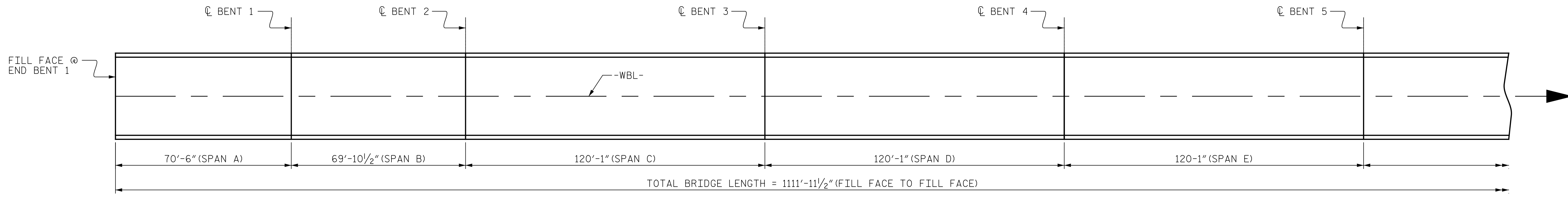
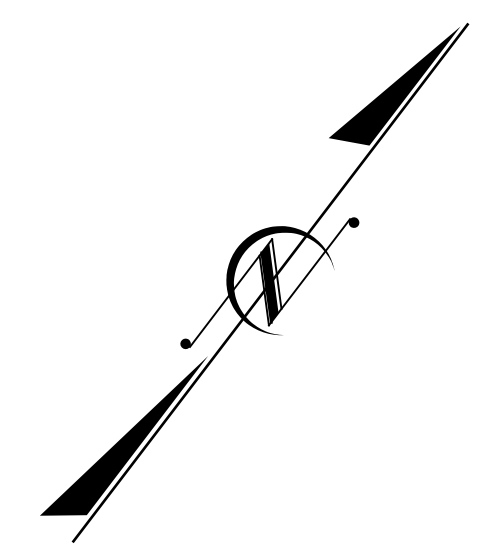
p:\gfn\pw\ben\ben\com\gfn\pw-01\Documents\Projects\63639\Task 010 B-4626\Discipline\Struct\DN\Rowan 8\Rowan 8 TOTAL PRJ 9/2/2021 3:38:05 PM pdf\_mono\_gfch\_FS.plt Rowan.pcn.tbl



**SECTION ALONG CL BRIDGE**

(SECTION AT BENTS AND END BENTS ARE AT RIGHT ANGLES)

NOTES:  
GENERAL DRAWING INFORMATION IS TAKEN FROM THE ORIGINAL PLANS AND THE ROUTINE INSPECTION REPORT DATED 12/3/2020.  
BRIDGE ORIENTATION CONFORMS TO THE EXISTING BRIDGE PLANS.



**PARTIAL PLAN**

(PILES NOT SHOWN FOR CLARITY)

I HEREBY CERTIFY THAT THIS STRUCTURE WAS REHABILITATED ACCORDING TO THESE PLANS OR AS NOTED HEREIN.

RESIDENT ENGINEER \_\_\_\_\_ DATE \_\_\_\_\_

PROJECT NO. B-4626  
STANLY, ROWAN  
AND DAVIDSON COUNTY  
 BRIDGE NO. 790008

SHEET 1 OF 3 MILE POST #44.79

**SCOPE OF WORK**

- REPLACE EXISTING BEARINGS AT BENT #2 SPAN C & BENT#8 SPAN H
- CLEAN AND EPOXY COAT END BENT AND BENTS CAPS
- EPOXY COAT GIRDER ENDS
- BRIDGE DECK OVERLAY WITH POLYMER CONCRETE (PC)
- BRIDGE JOINT REPLACEMENTS
- CLEAN EXISTING BRIDGE DECK DRAINAGE SYSTEM

**CONSTRUCTION SEQUENCE**

- 1) REPLACE EXISTING BEARINGS AT BENTS 2 & 8
- 2) BRIDGE DECK SURFACE PREPARATION
- 3) BRIDGE DECK OVERLAY WITH POLYMER CONCRETE
- 4) BRIDGE JOINT REPLACEMENTS
- 5) GROOVING BRIDGE FLOORS
- 6) EPOXY COAT GIRDER ENDS AT END BENTS AND AT BENTS 2 & 8
- 7) CLEAN AND EPOXY COAT END BENT CAPS AND BENT 2 & 8 CAPS
- 8) CLEAN EXISTING BRIDGE DECK DRAINAGE SYSTEM



DocuSigned by: Eric B. Nelson 9/2/2021

DRAWN BY : M. LEE DATE : 3/2021  
 CHECKED BY : R. NELSON DATE : 4/2021

PLANS PREPARED BY:  
**Gannett Fleming**  
 Excellence Delivered As Promised

One Glenwood Avenue  
 Suite 900  
 Raleigh, NC 27603  
 (919) 420-7660  
 NC Lic. No. F-0270

DOCUMENT NOT CONSIDERED FINAL UNLESS ALL SIGNATURES COMPLETED

STATE OF NORTH CAROLINA  
 DEPARTMENT OF TRANSPORTATION  
 RALEIGH

**GENERAL DRAWING**  
 FOR -WBL- BRIDGE OVER YADKIN RIVER AND WINSTON-SALEM SOUTHBOUND RR ON NC 8/49 BETWEEN SR 1578 AND SR 2543

REVISIONS						SHEET NO.
NO.	BY:	DATE:	NO.	BY:	DATE:	S2-1
1			3			TOTAL SHEETS
2			4			125