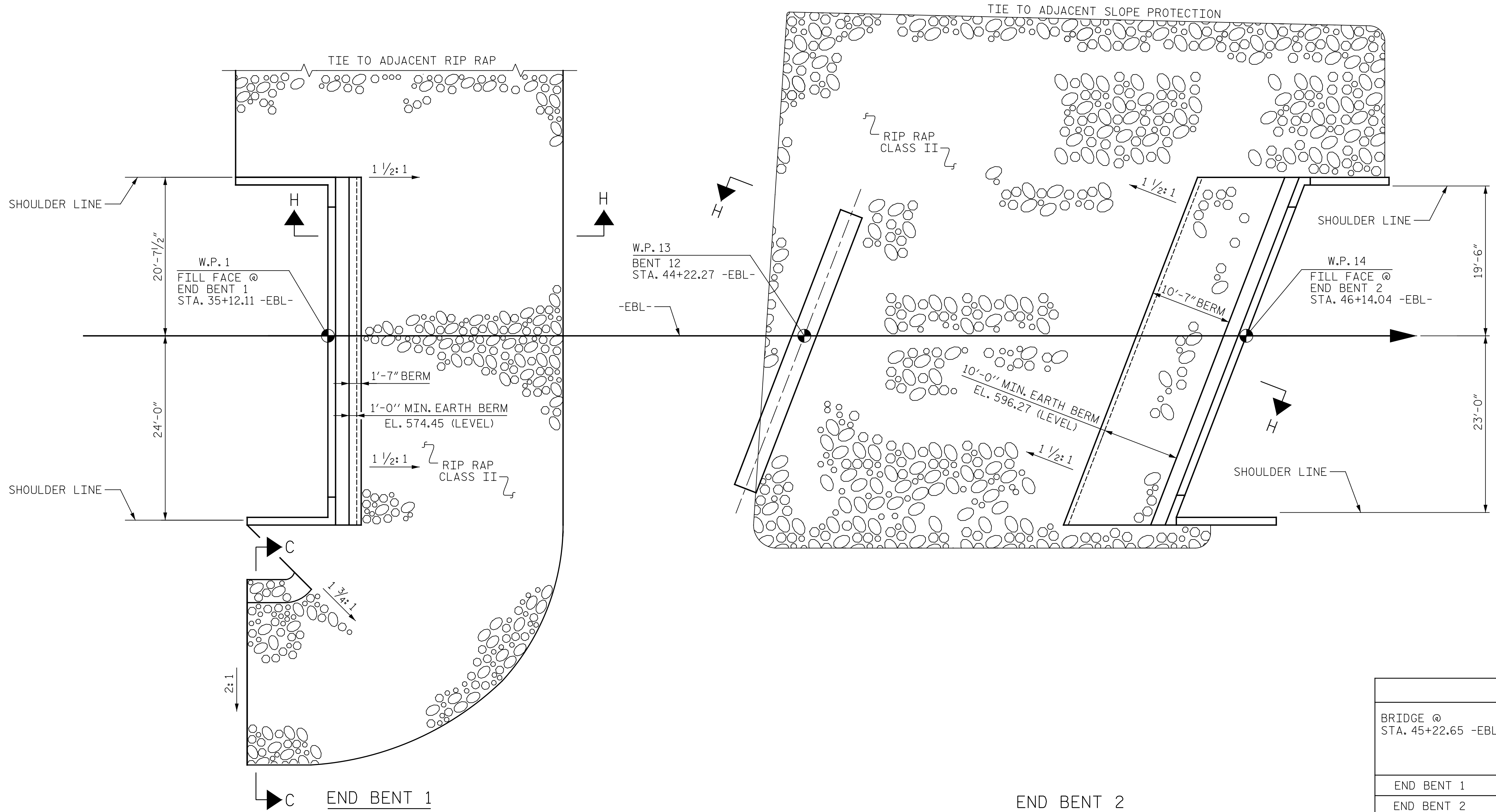


p:\gfn\pw.bentley.com\gfn\p-01\Documents\Projects\63639\Task 010 B-4626\Discipline\Struct\DN\Rowan 3\Archives\Delete\401_205_B4626_SMU_RR_790003_101 9/2/2021 4:08:40 PM pdf_color_gfclt_FS.plt Rowan.pen.tbl

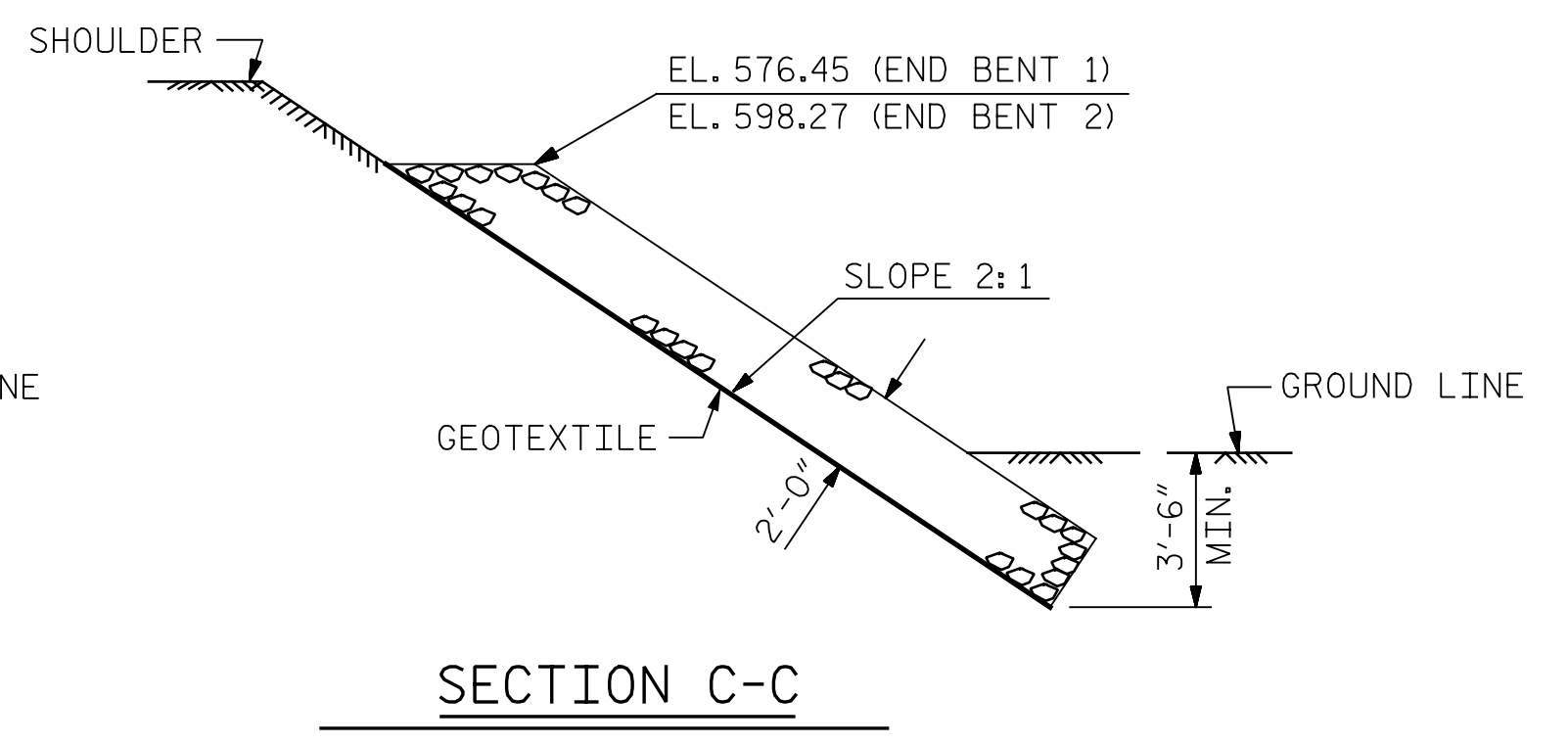
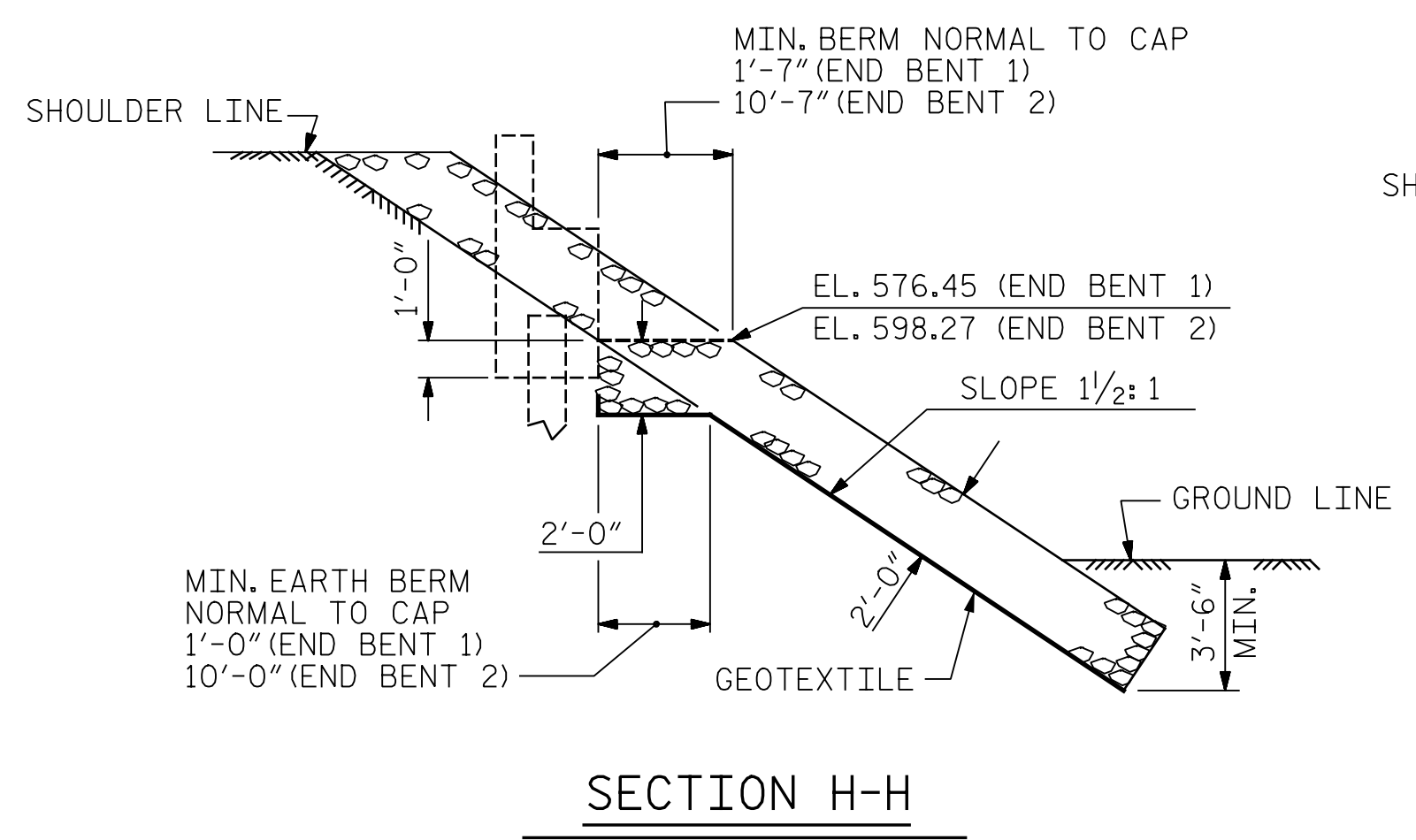


PLAN

END BENT 2

END BENT 1

ESTIMATED QUANTITIES		
BRIDGE @ STA. 45+22.65 -EBL-	RIP RAP CLASS II (2'-0" THICK)	GEOTEXTILE FOR DRAINAGE
	TONS	SQUARE YARDS
END BENT 1	290	325
END BENT 2	450	500



PROJECT NO. B-4626
STANLY, ROWAN
AND DAVIDSON COUNTY
 STATION: 45+22.65 -EBL-



STATE OF NORTH CAROLINA
 DEPARTMENT OF TRANSPORTATION
 RALEIGH

RIP RAP DETAILS

REVISIONS						SHEET NO.
NO.	BY:	DATE:	NO.	BY:	DATE:	S1-101
1			3			TOTAL SHEETS
2			4			125

DRAWN BY : J. MYA DATE : 04/2021
 CHECKED BY : J. YANACCONI DATE : 05/2021
 DESIGN ENGINEER OF RECORD: R. NELSON DATE : 05/2021

PLANS PREPARED BY:
Gannett Fleming
 Excellence Delivered As Promised

One Glenwood Avenue
 Suite 900
 Raleigh, NC 27603
 (919) 420-7660
 NC Lic. No. F-0270

DOCUMENT NOT CONSIDERED
 FINAL UNLESS ALL
 SIGNATURES COMPLETED