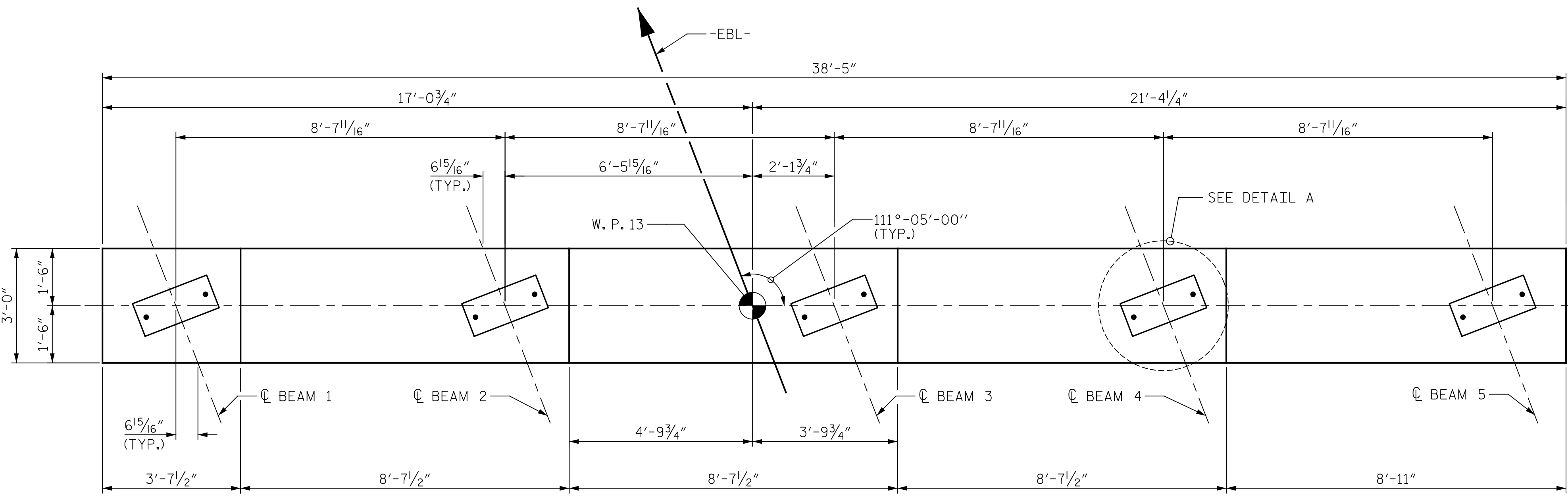
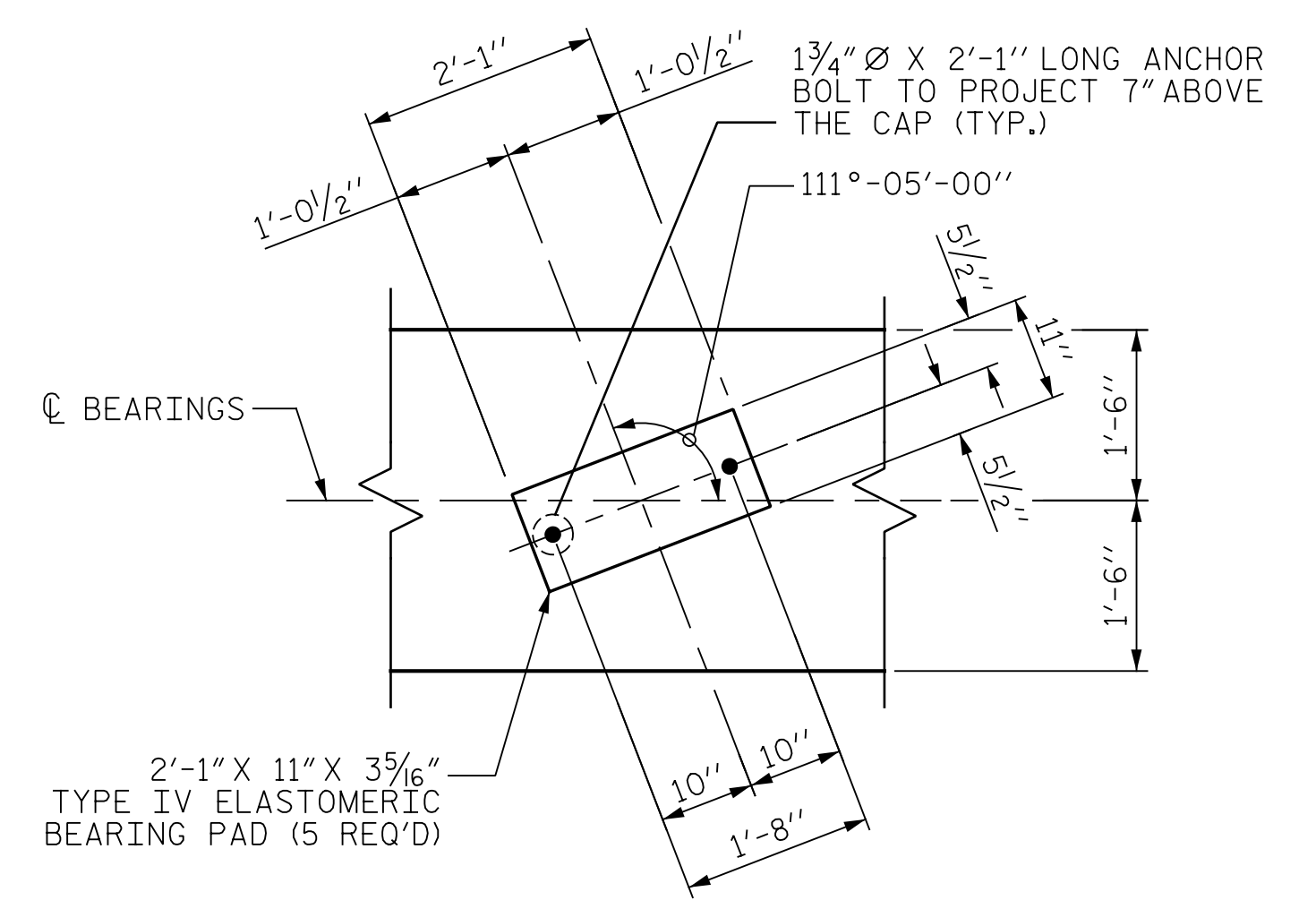


p:\gfn\pw.bentley.com\gfn\pw-01\Documents\Projects\63639\Task 010 B-4626\Discipline\Struct\DN\Rowan 3\Archives\Delete\401_145_B4626_SMU_B1201_790003_071 9/2/2021 4:04:58 PM pdf_color_gfclt_FS.plt Rowan.pen.tbi

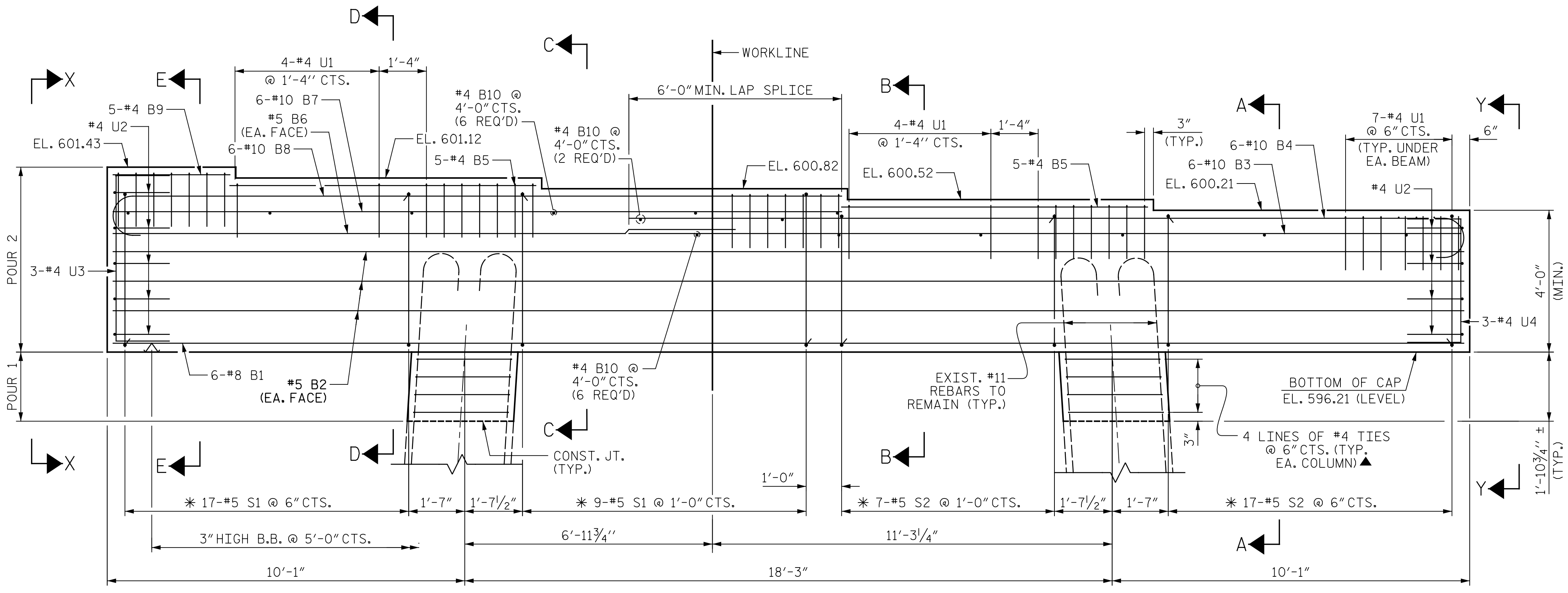


PLAN

NOTES:
STIRRUPS AND U1 BARS IN CAP MAY BE SHIFTED AS NECESSARY TO CLEAR ANCHOR BOLTS.



DETAIL A
(TYP. EACH BEARING)



ELEVATION

* INVERT ALTERNATE STIRRUPS

▲ 1 LINE = 2-#4 S3, 1-#4 S4 & 1-#4 S5

FAR SIDE
BENT 12 CONTROL LINE, C CAP AND BEARINGS

NEAR SIDE

BENT 12 CONTROL LINE, C CAP AND BEARINGS

EXISTING #11 REBARS TO REMAIN

CONST. JT.

END VIEW

PROJECT NO. B-4626
STANLY, ROWAN
AND DAVIDSON COUNTY
 STATION: 45+22.65 -EBL-

SHEET 1 OF 2

STATE OF NORTH CAROLINA
 DEPARTMENT OF TRANSPORTATION
 RALEIGH

SUBSTRUCTURE
 BENT 12



DRAWN BY: J. MYA DATE: 04/2021
 CHECKED BY: J. YANACCONI DATE: 05/2021
 DESIGN ENGINEER OF RECORD: R. NELSON DATE: 05/2021

PLANS PREPARED BY:
Gannett Fleming
 Excellence Delivered As Promised

One Glenwood Avenue
 Suite 900
 Raleigh, NC 27603
 (919) 420-7660
 NC Lic. No. F-0270

DOCUMENT NOT CONSIDERED FINAL UNLESS ALL SIGNATURES COMPLETED

REVISIONS						SHEET NO.
NO.	BY:	DATE:	NO.	BY:	DATE:	S1-71
1			3			TOTAL SHEETS
2			4			125