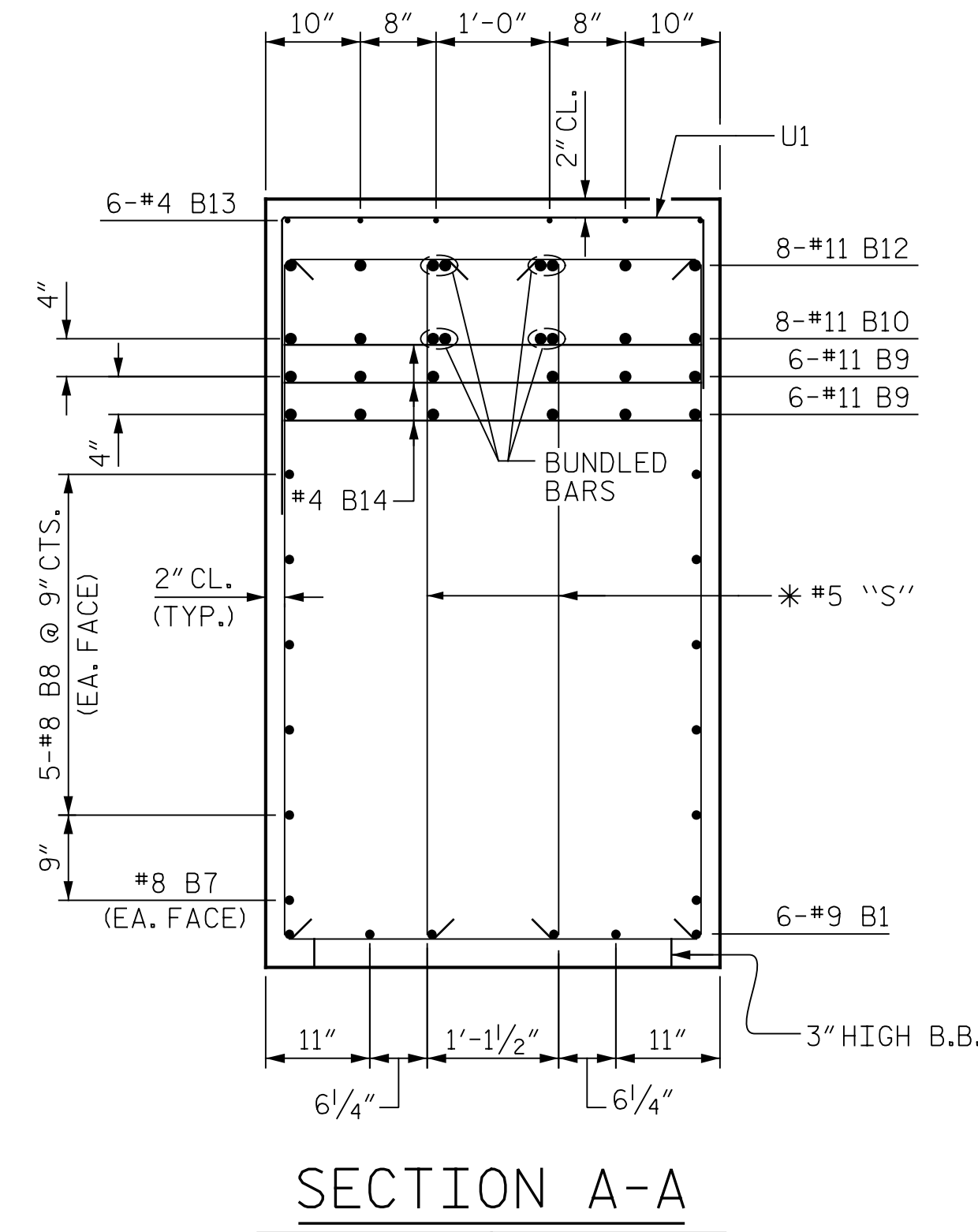
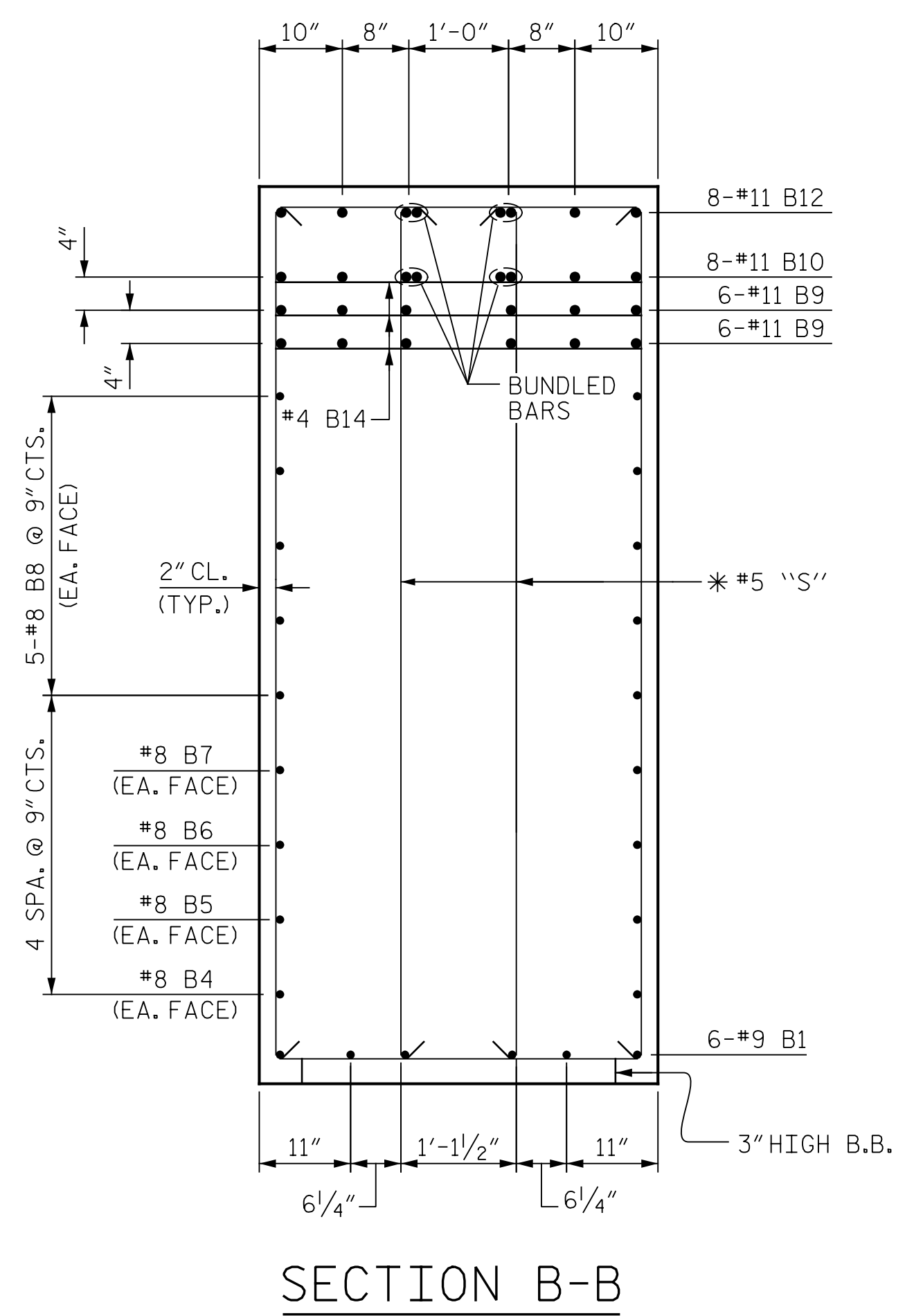


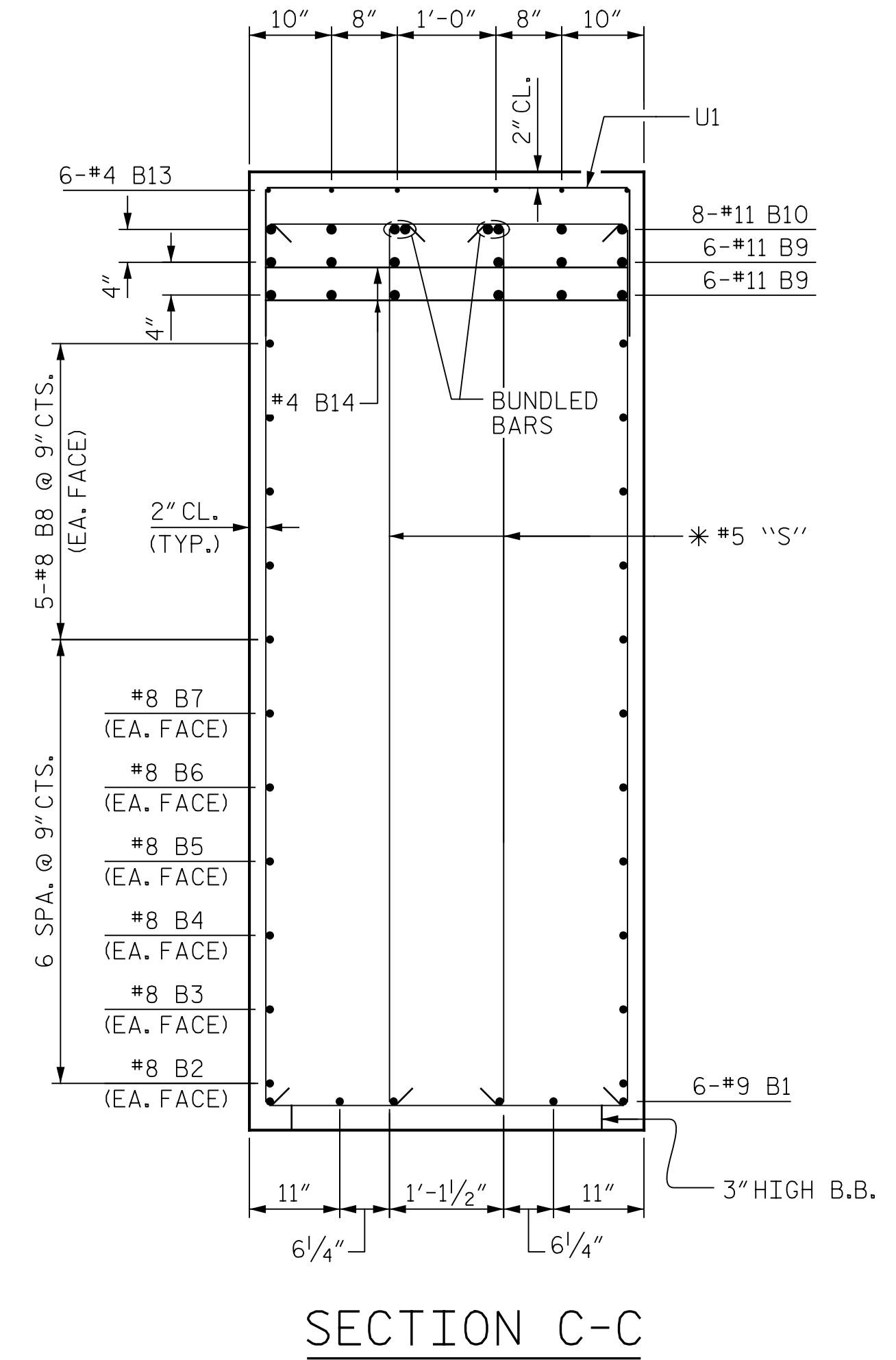
p:\gfn\pw.bentley.com\mgfnet-pw-01\Documents\Projects\63639\Task 010 B-4626\Discipline\Struct\DN\Rowan 3\Archives\Delete\401.135_B4626_SMU_B602_790003_066 9/2/2021 4:04:23 PM pdf_color_gfclt_FS.plt Rowan.pen.tbl



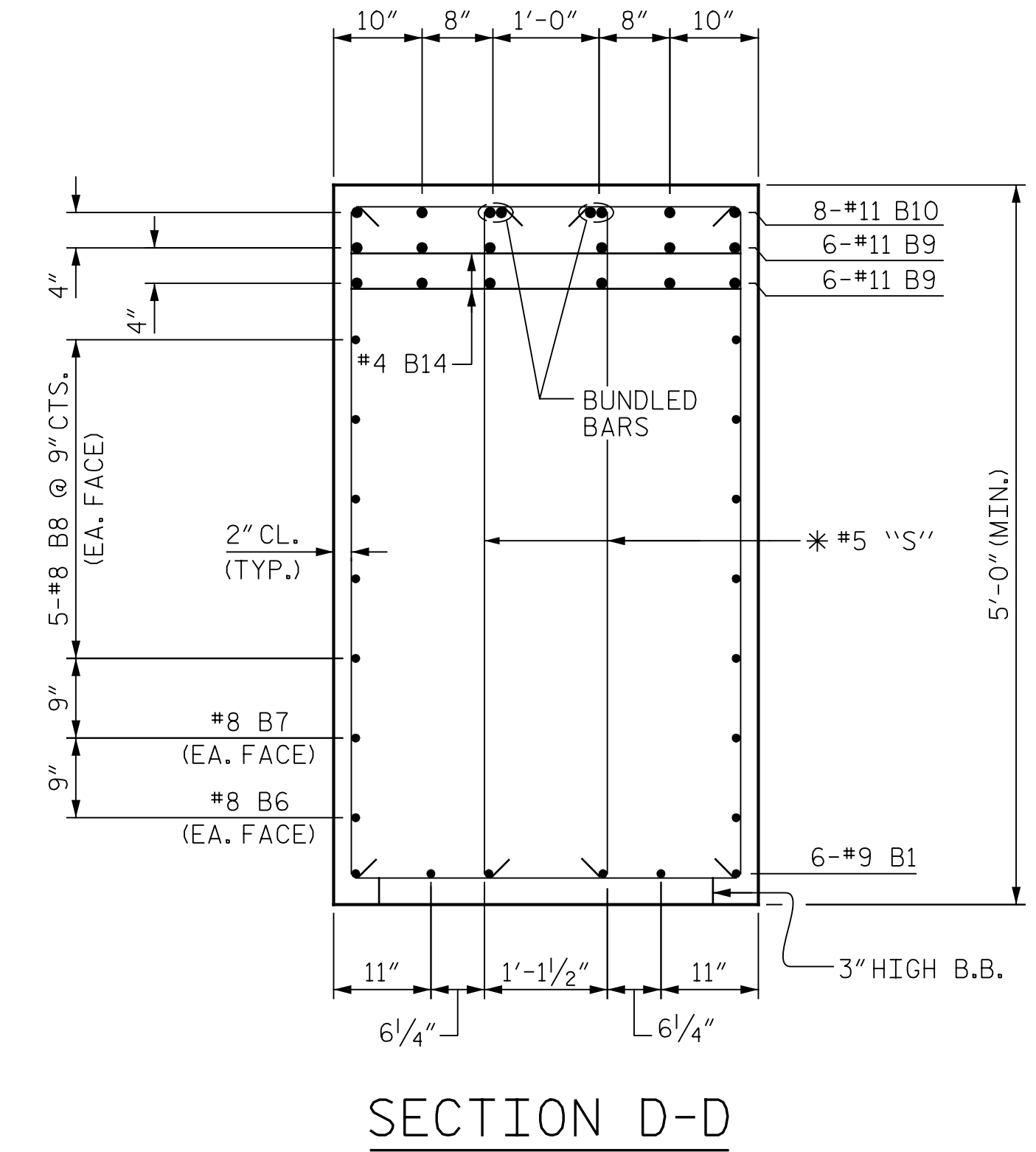
SECTION A-A



SECTION B-B



SECTION C-C



SECTION D-D

* INVERT ALTERNATE STIRRUPS

PROJECT NO. B-4626
STANLY, ROWAN
AND DAVIDSON COUNTY
STATION: 45+22.65 -EBL-

SHEET 2 OF 3

STATE OF NORTH CAROLINA
DEPARTMENT OF TRANSPORTATION
RALEIGH

SUBSTRUCTURE
BENT 6 AND 7



DocuSigned by:
Eric B. Nelson
9/2/2021
NCB000218074CD

DRAWN BY : J. MYA DATE : 04/2021
CHECKED BY : J. YANNAACONE DATE : 05/2021
DESIGN ENGINEER OF RECORD: R. NELSON DATE : 05/2021

PLANS PREPARED BY:
Gannett Fleming
Excellence Delivered As Promised
One Glenwood Avenue
Suite 900
Raleigh, NC 27603
(919) 420-7660
NC Lic. No. F-0270

REVISIONS						SHEET NO.
NO.	BY:	DATE:	NO.	BY:	DATE:	S1-66
1			3			TOTAL SHEETS
2			4			125

DOCUMENT NOT CONSIDERED
FINAL UNLESS ALL
SIGNATURES COMPLETED