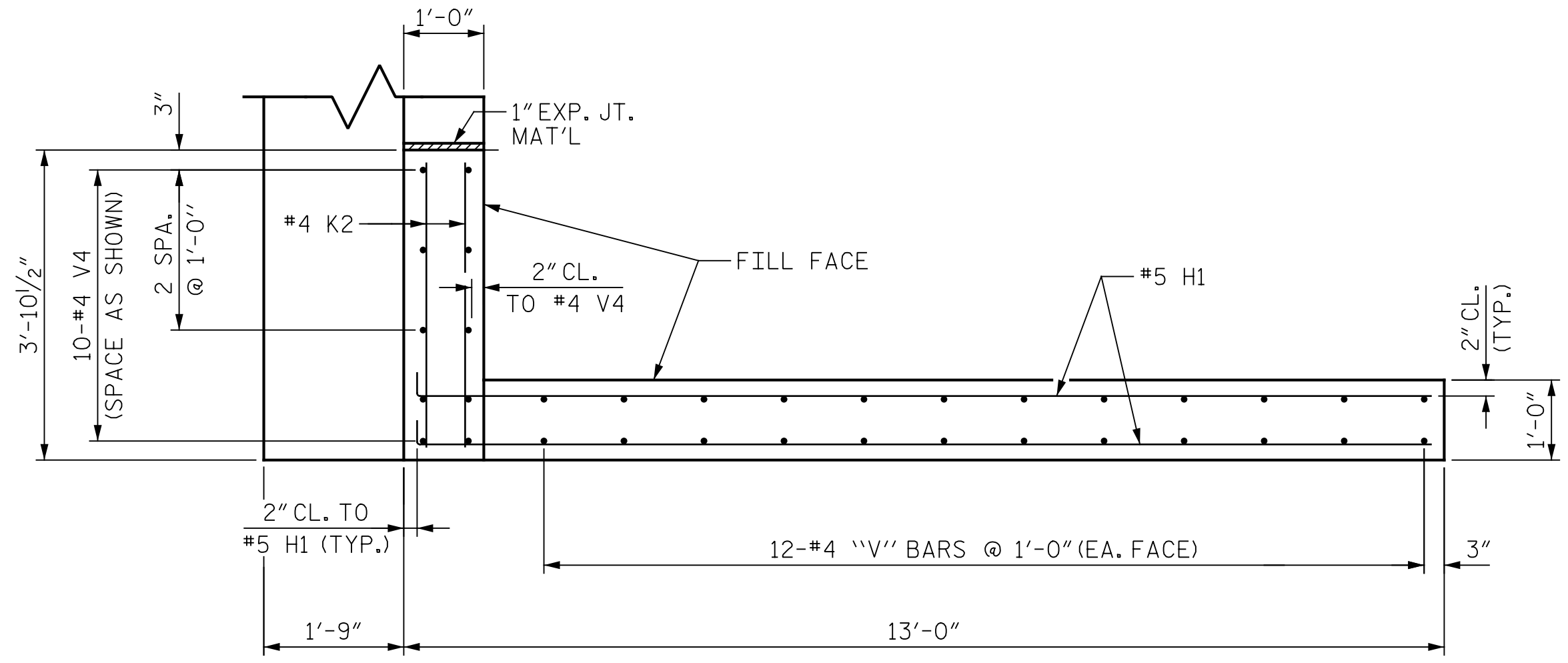
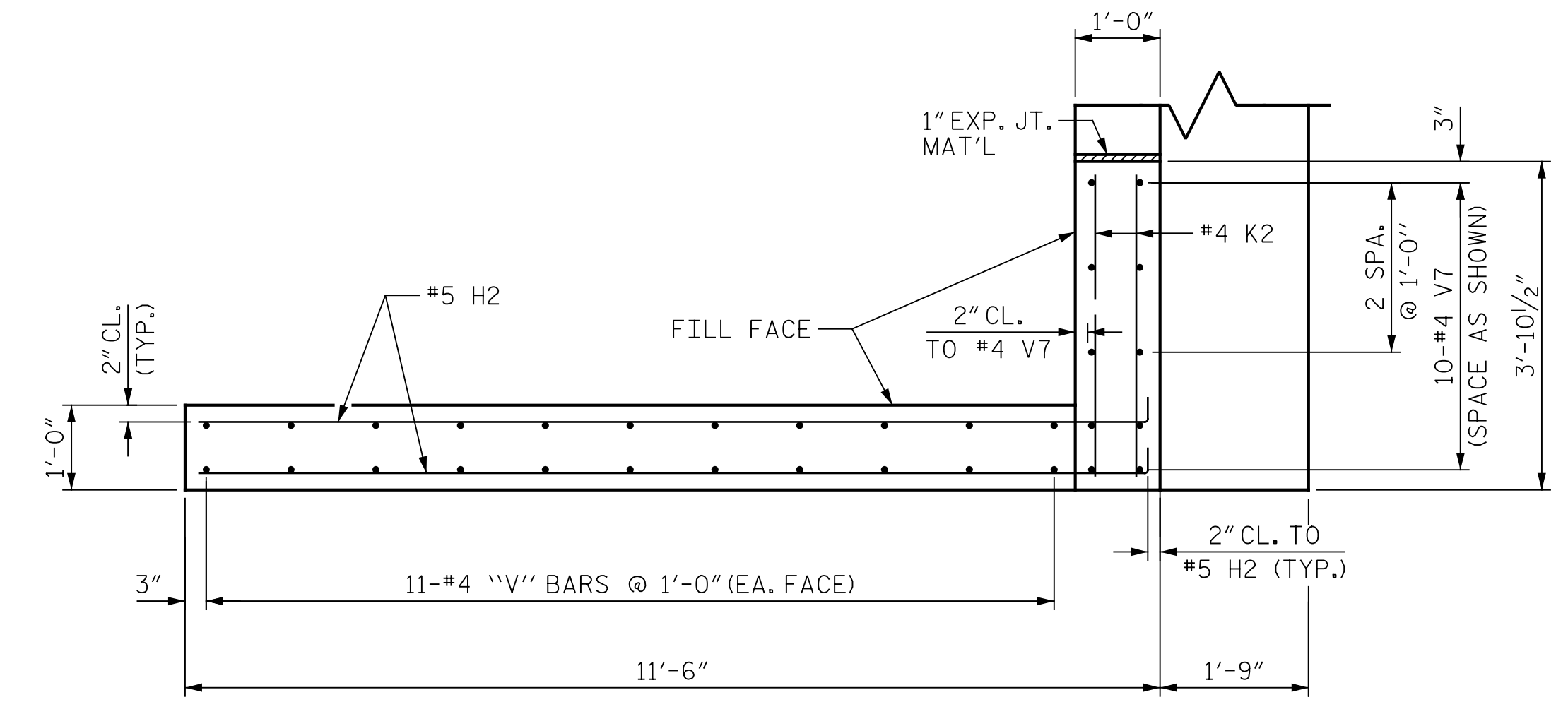


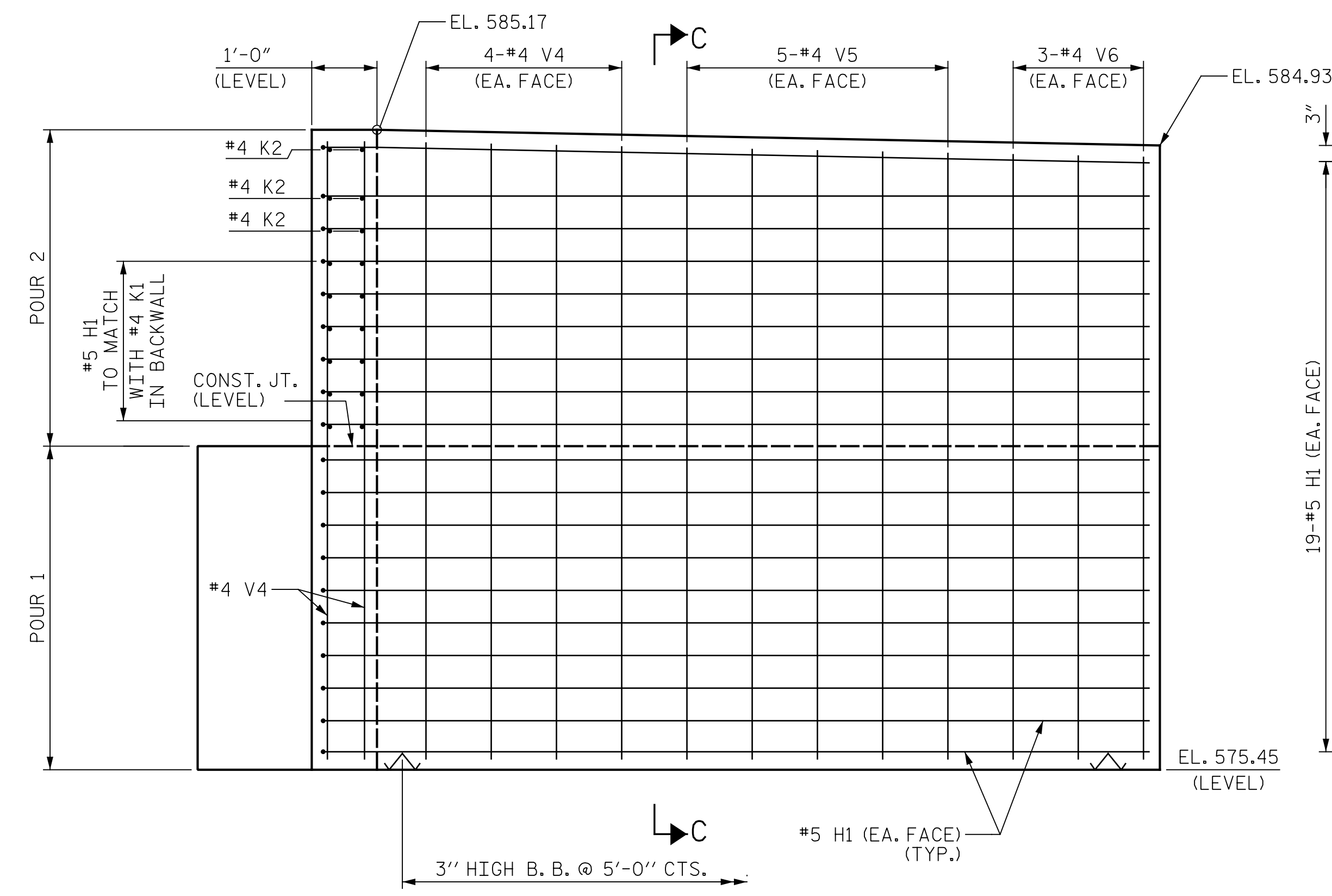
p:\gfn\p-w.bentley.com\gfn\p-w-01\Documents\Projects\63639\Task 010 B-4626\Discipline\Struct\DN\Rowan 3\Archives\Delete\401.119.B4626-SMU_E102.790003.058
 9/2/2021 4:03:21 PM pdf_color_gfclt_FS.plt Rowan.pen.tbl



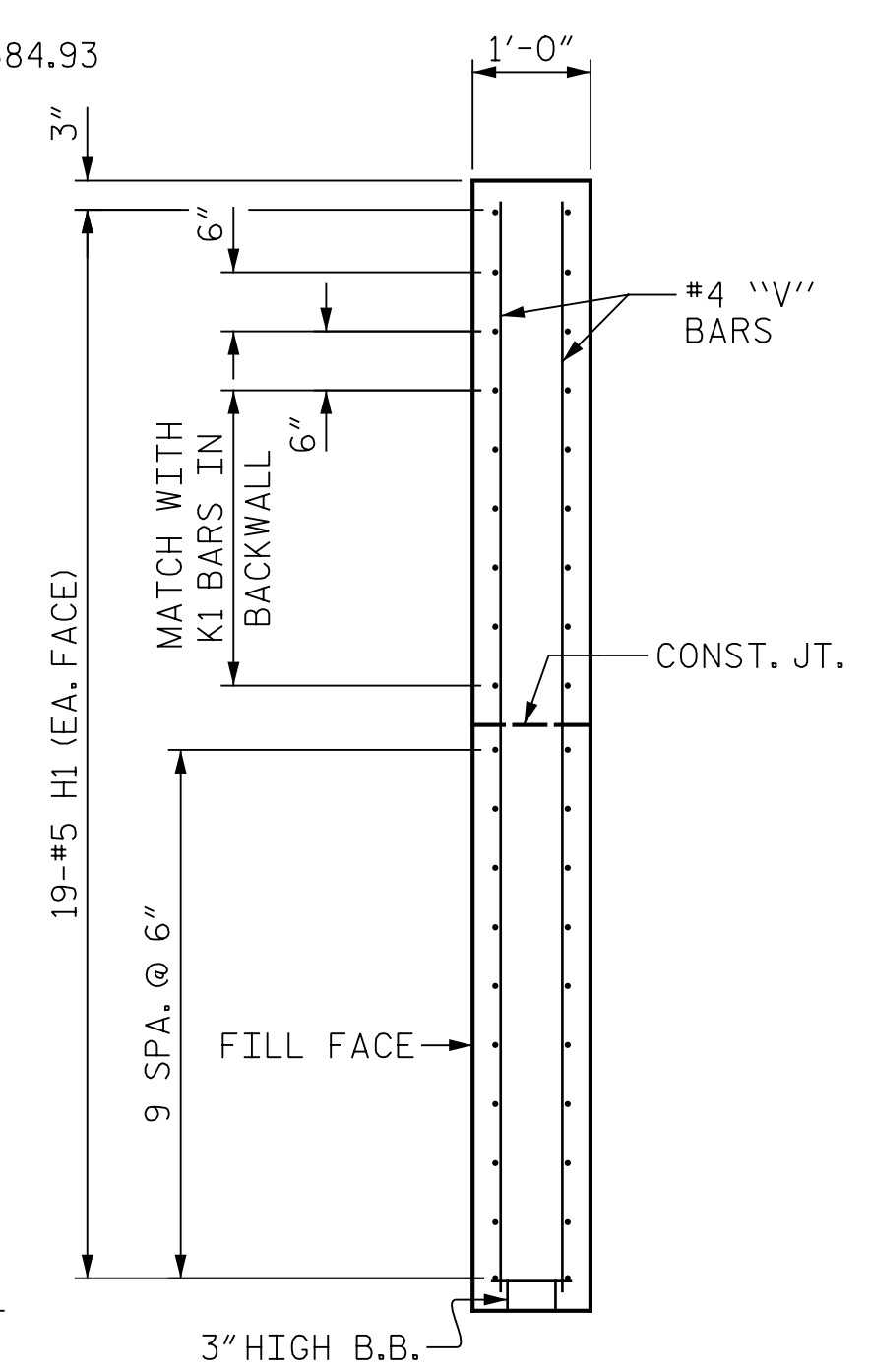
PLAN OF WING (W1)



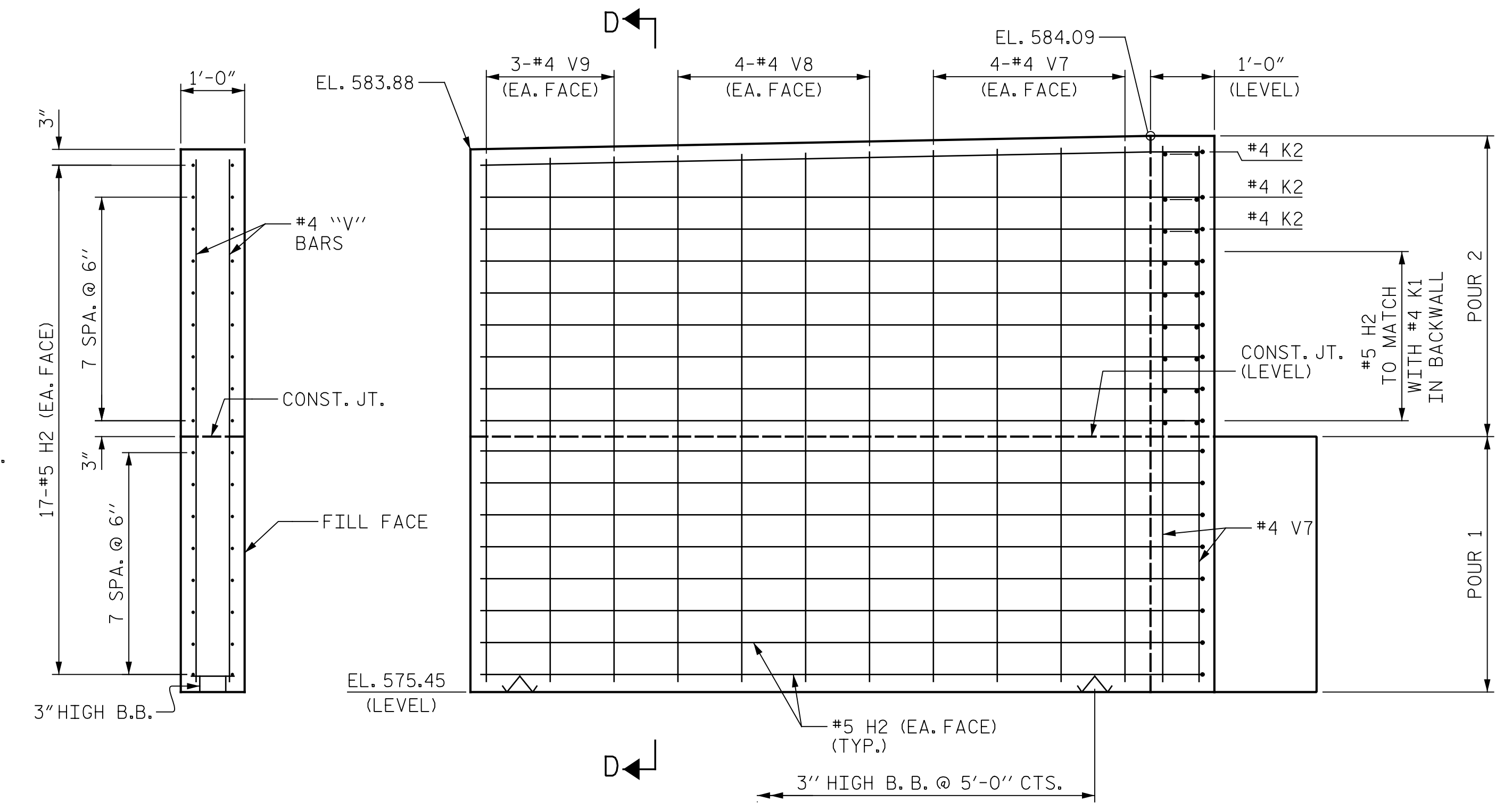
PLAN OF WING (W2)



ELEVATION OF WING (W1)



SECTION C-C



SECTION D-D

ELEVATION OF WING (W2)

PROJECT NO. B-4626
STANLY, ROWAN
AND DAVIDSON COUNTY
 STATION: 45+22.65 -EBL-
 SHEET 2 OF 3

STATE OF NORTH CAROLINA
 DEPARTMENT OF TRANSPORTATION
 RALEIGH

SUBSTRUCTURE
 END BENT 1



DRAWN BY : J. MYA DATE : 04/2021
 CHECKED BY : J. YANACCONO DATE : 05/2021
 DESIGN ENGINEER OF RECORD : R. NELSON DATE : 05/2021

PLANS PREPARED BY:
Gannett Fleming
 Excellence Delivered As Promised

One Glenwood Avenue
 Suite 900
 Raleigh, NC 27603
 (919) 420-7660
 NC Lic. No. F-0270

DOCUMENT NOT CONSIDERED
 FINAL UNLESS ALL
 SIGNATURES COMPLETED

REVISIONS						SHEET NO.
NO.	BY:	DATE:	NO.	BY:	DATE:	S1-58
1			3			TOTAL SHEETS
2			4			125