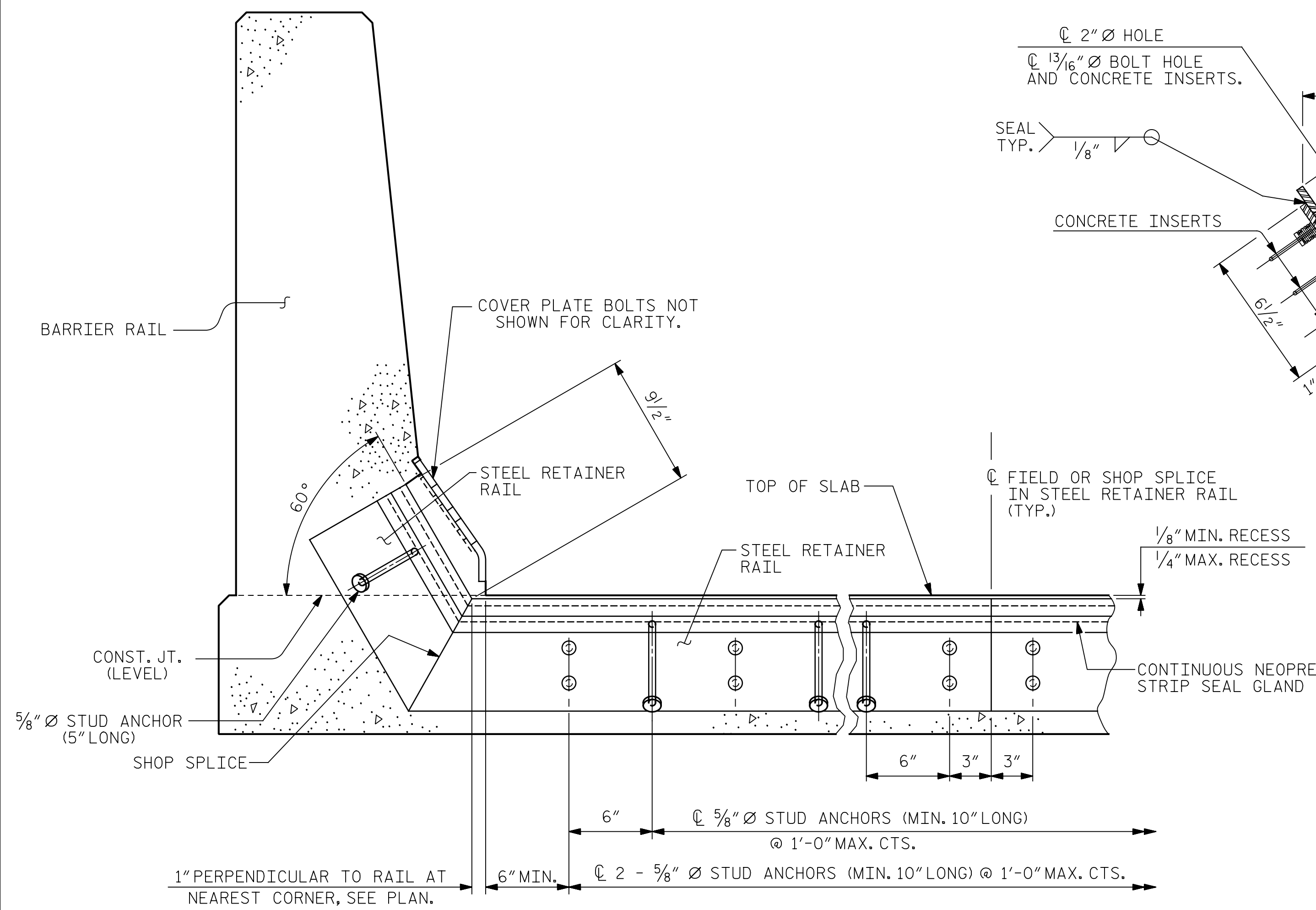
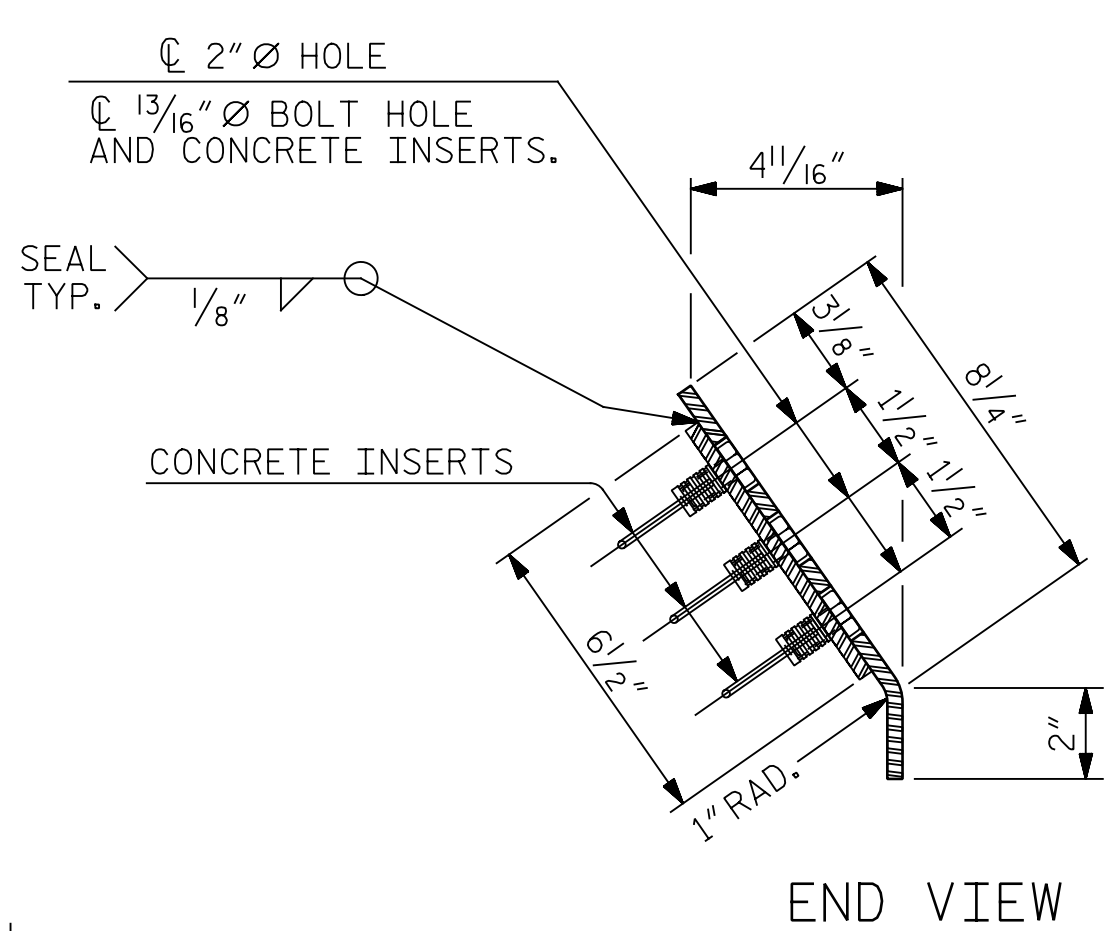


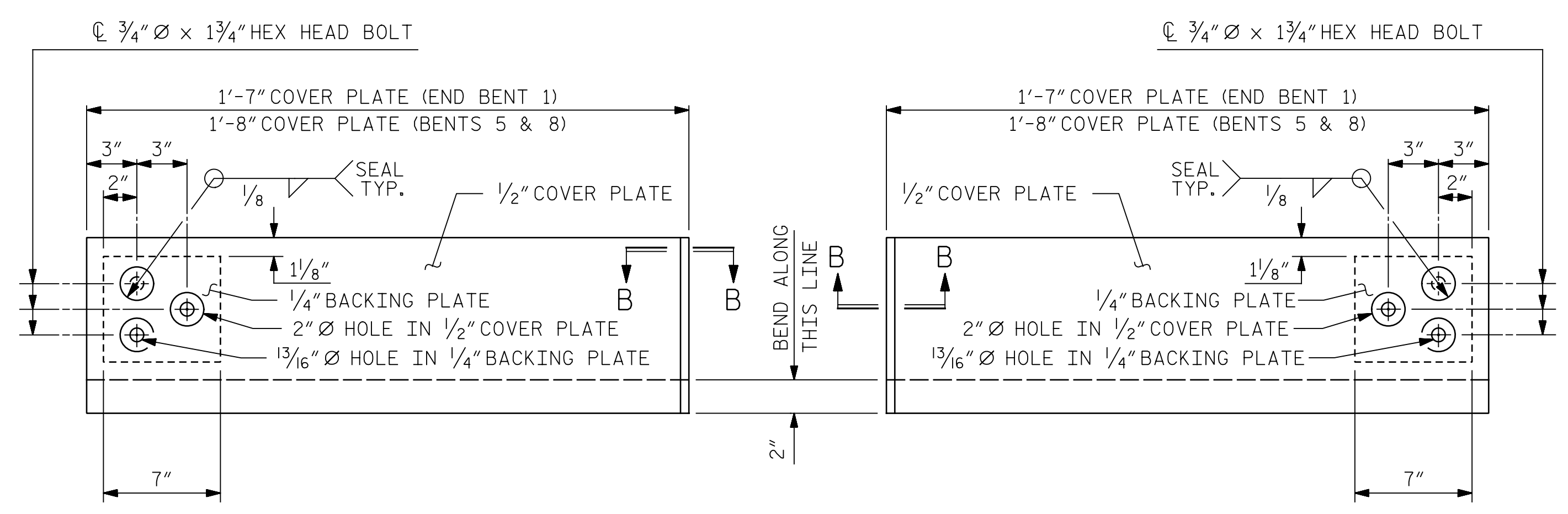
p:\gfn\p-w\Bentley.com\gnet-pw-01\Documents\Projects\63639\Task 010 B-4626\Discipline\Struct\DN\Rowan 3\Archives\Delete\401.107.LB4626-SMU-JT\_790003.052  
 9/2/2021 4:02:37 PM pdf\_color\_gfclt\_FS.plt Rowan.pen.tbl



SECTION THRU RAIL NORMAL TO JOINT



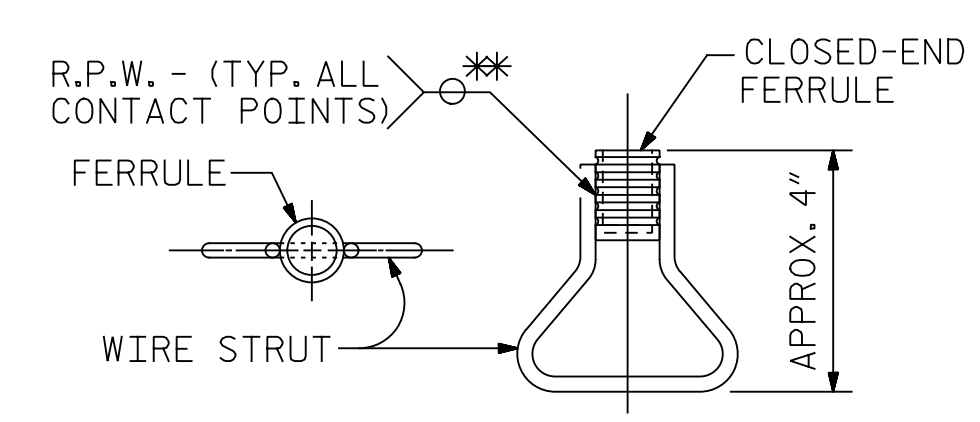
END VIEW



TYPE I - ELEVATION VIEW

TYPE II - ELEVATION VIEW

COVER PLATE DETAILS

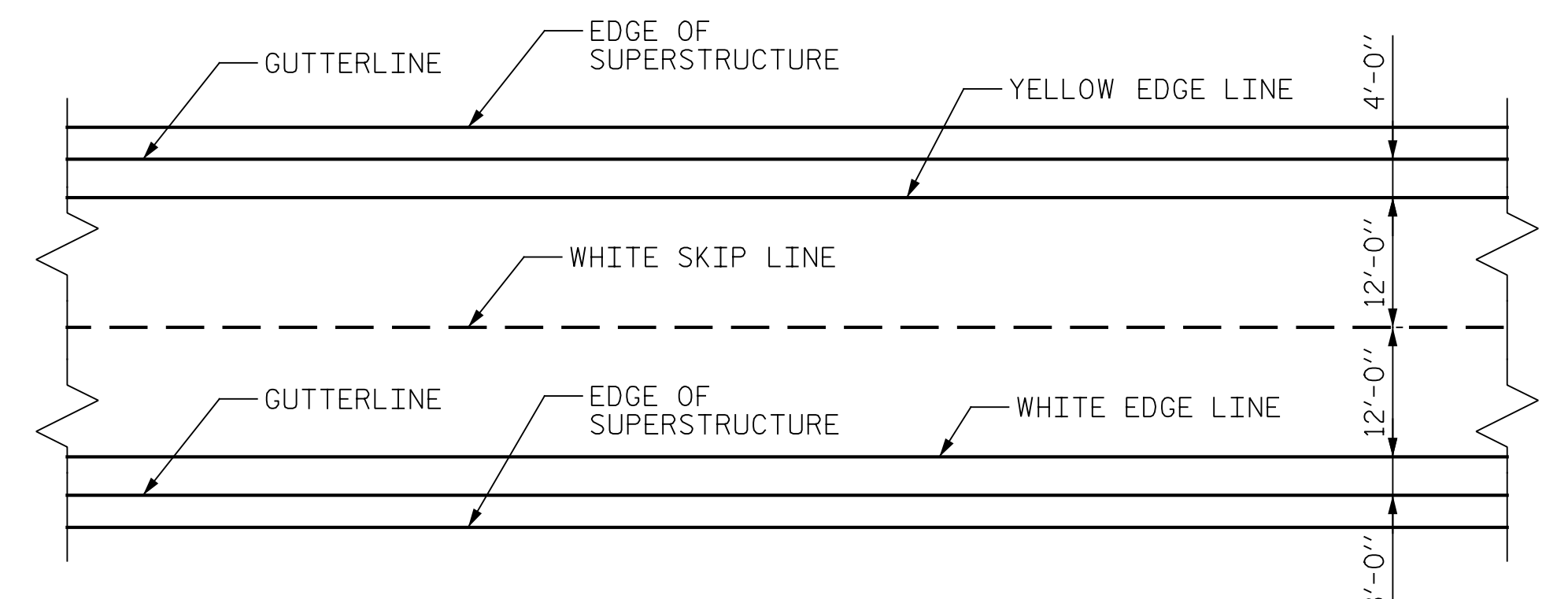


PLAN

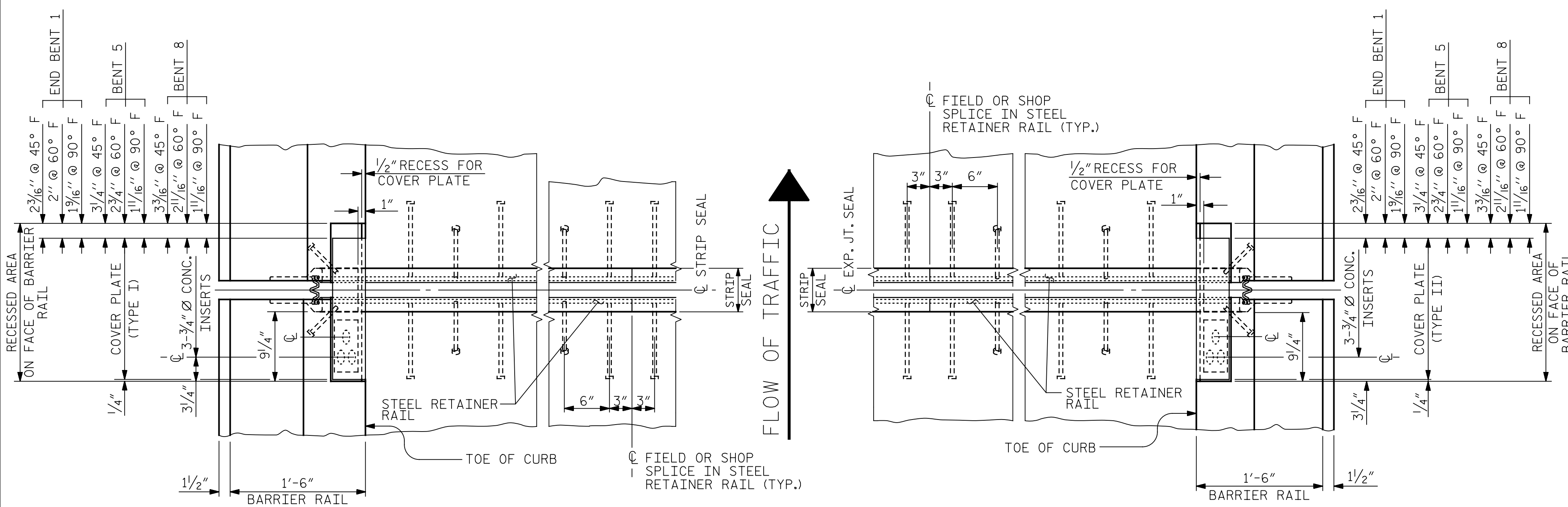
ELEVATION

CONCRETE INSERT

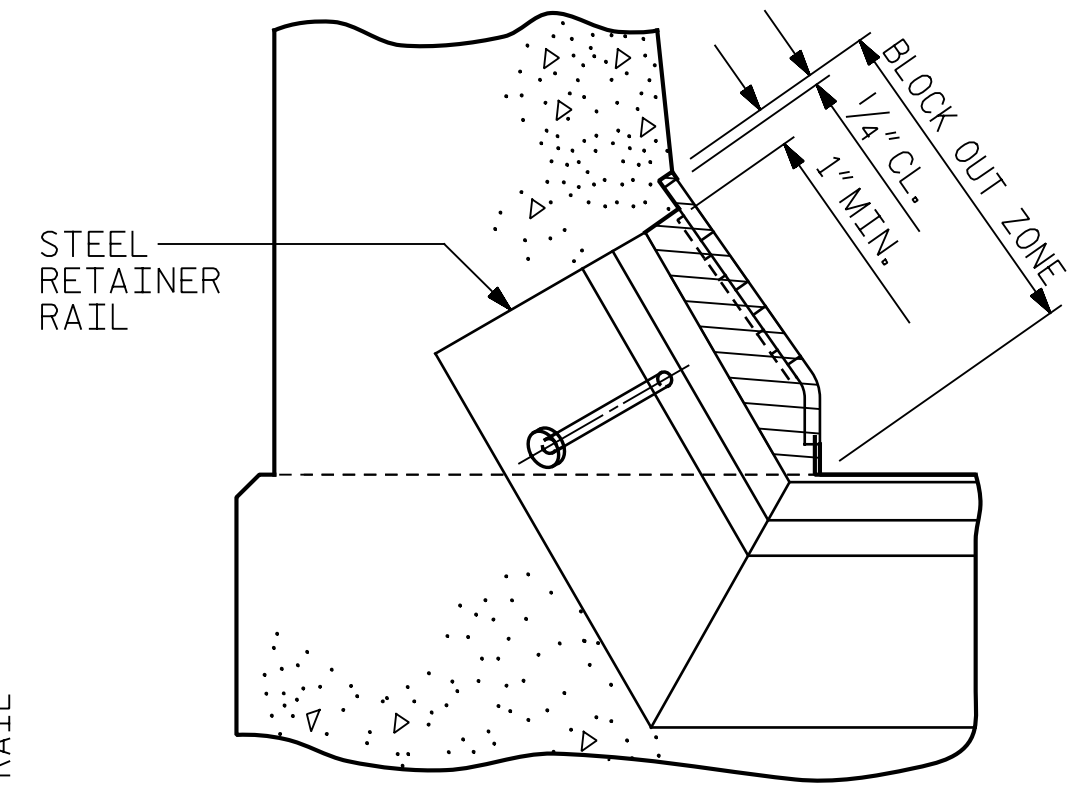
\*\* EACH WELDED ATTACHMENT OF WIRE TO FERRULE SHALL DEVELOP THE TENSILE STRENGTH OF THE WIRE.



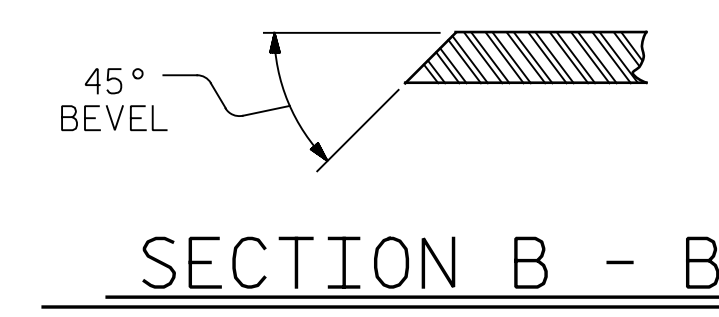
PAVEMENT MARKING ALIGNMENT



PLAN OF STRIP SEAL EXPANSION JOINT



BLOCK OUT DETAIL



SECTION B - B

PROJECT NO. B-4626  
STANLY, ROWAN  
AND DAVIDSON COUNTY  
 STATION: 45+22.65 -EBL-

SHEET 2 OF 3

ASSEMBLED BY : T. HARTLEY	DATE : 04/2021
CHECKED BY : R. FISHER	DATE : 04/2021
DRAWN BY : MAA 6/20	
CHECKED BY : BNB 6/20	

PLANS PREPARED BY:  
**Gannett Fleming**  
 Excellence Delivered As Promised

One Glenwood Avenue  
 Suite 900  
 Raleigh, NC 27603  
 (919) 420-7660  
 NC Lic. No. F-0270



DOCUMENT NOT CONSIDERED FINAL UNLESS ALL SIGNATURES COMPLETED

STATE OF NORTH CAROLINA DEPARTMENT OF TRANSPORTATION RALEIGH					
STANDARD STRIP SEAL EXPANSION JOINT DETAILS FOR BARRIER RAIL					
REVISIONS					
NO.	BY:	DATE:	NO.	BY:	DATE:
1			3		
2			4		
SHEET NO.					S1-52
TOTAL SHEETS					125

STD. NO. SSEJ2 SHT 1B