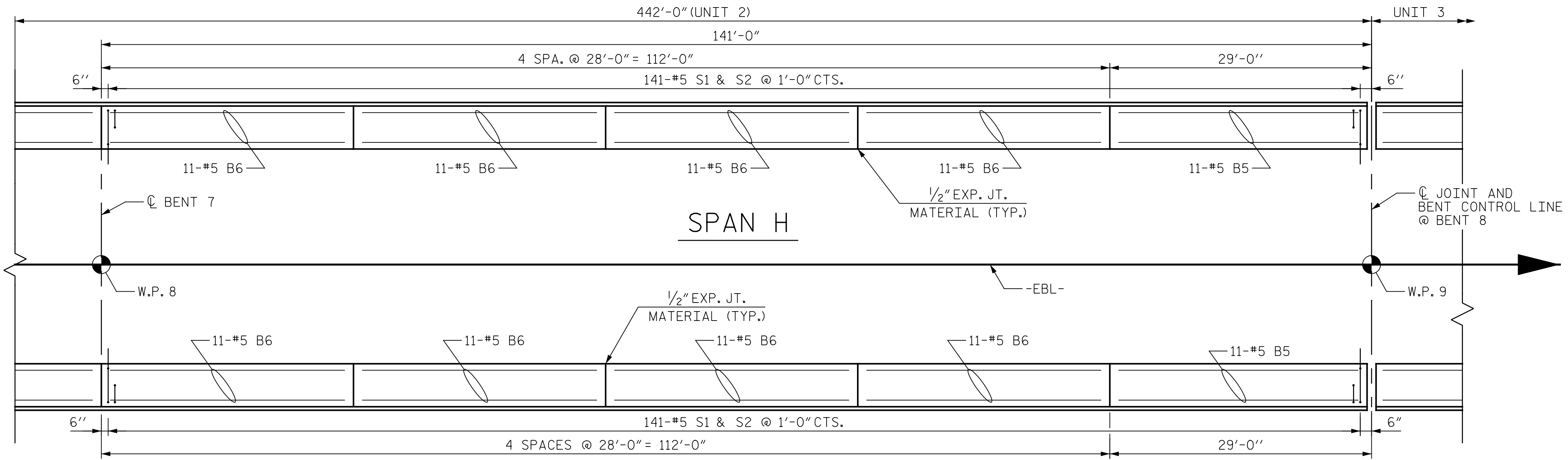


p:\gfn\pw.bentley.com\gfn\pw-01\Documents\Projects\63639\Task 010 B-4626\Discipline\Struct\DN\Rowan 3\Archives\Delete\401_097_B4626_SMU_BR03_790003_047
 9/2/2021 4:01:58 PM pdf_color_gfclt_FS.plt Rowan.pen.tbl



PLAN

PROJECT NO. B-4626
STANLY, ROWAN
AND DAVIDSON COUNTY
 STATION: 45+22.65 -EBL-

SHEET 3 OF 5

STATE OF NORTH CAROLINA
DEPARTMENT OF TRANSPORTATION
RALEIGH

CONCRETE BARRIER
RAIL
UNIT 2

REVISIONS						SHEET NO.
NO.	BY:	DATE:	NO.	BY:	DATE:	S1-47
1			3			TOTAL SHEETS
2			4			125

DRAWN BY : T. HARTLEY DATE : 04/2021
 CHECKED BY : R. FISHER DATE : 05/2021
 DESIGN ENGINEER OF RECORD: R. NELSON DATE : 05/2021

PLANS PREPARED BY:
Gannett Fleming
 Excellence Delivered As Promised
 One Glenwood Avenue
 Suite 900
 Raleigh, NC 27603
 (919) 420-7660
 NC Lic. No. F-0270



DocuSigned by:
 Eric B. Nelson
 9/2/2021
 DOCUMENT NOT CONSIDERED
 FINAL UNLESS ALL
 SIGNATURES COMPLETED