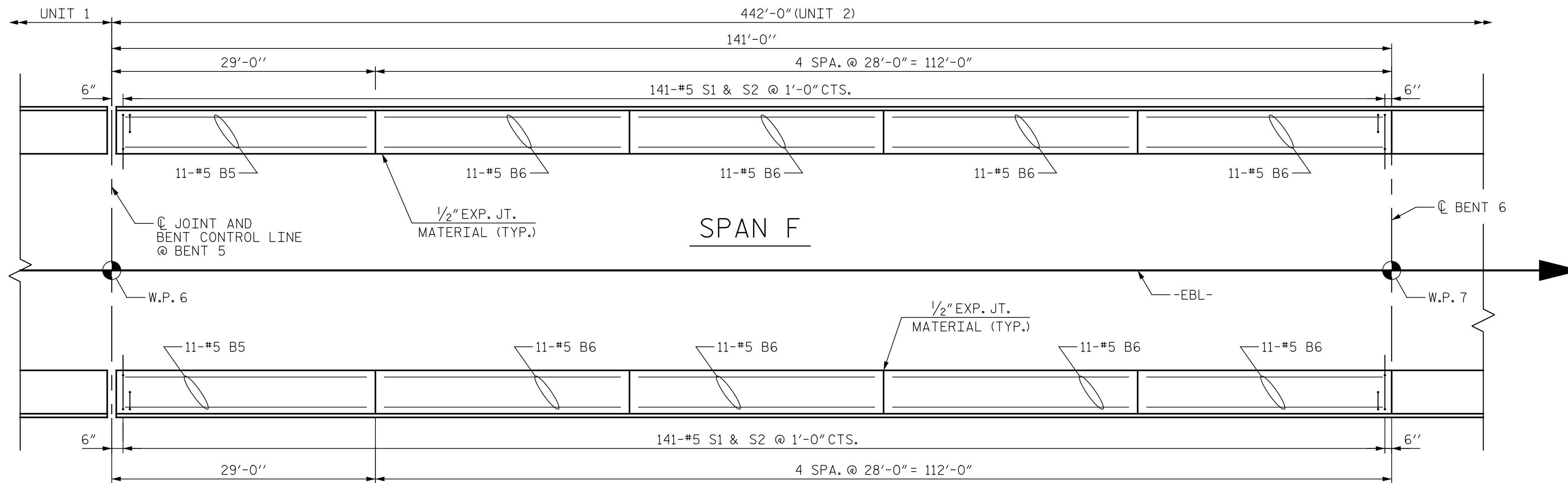
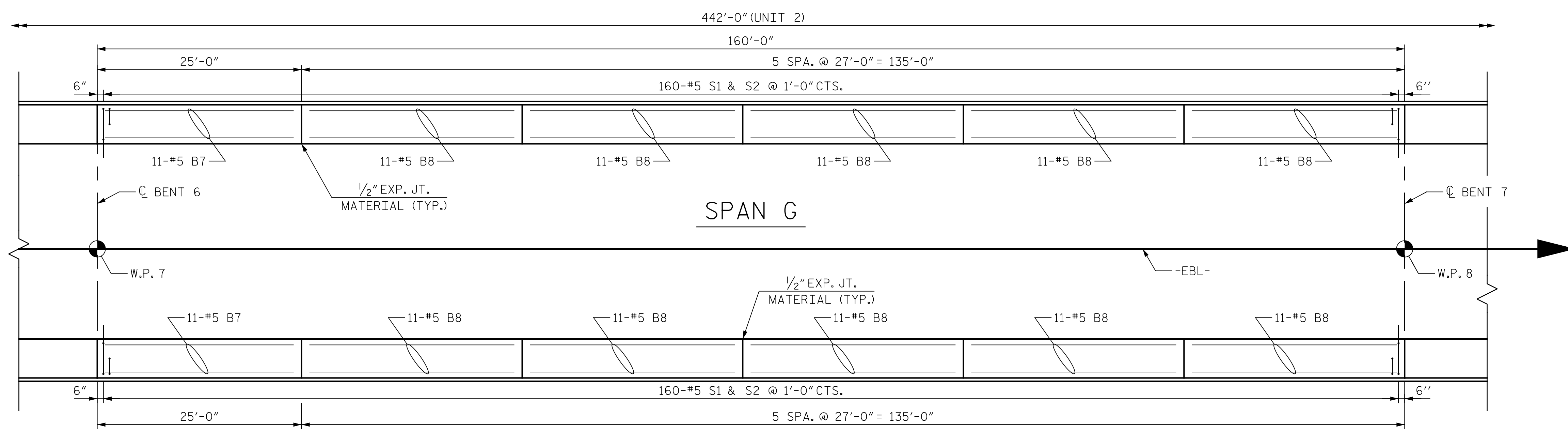


p:\gfn\pw.bentley.com\gfn\Task 010 B-4626\Discipline\Struct\DN\Rowan 3\Archives\Delete\401_095_B4626_SMU_BR02_790003_046 9/2/2021 4:01:52 PM pdf_color_gfclt_FS.plt Rowan.pen.tbl



PLAN



PLAN

PROJECT NO. B-4626
STANLY, ROWAN
AND DAVIDSON COUNTY
STATION: 45+22.65 -EBL-

SHEET 2 OF 5

STATE OF NORTH CAROLINA
DEPARTMENT OF TRANSPORTATION
RALEIGH

CONCRETE BARRIER
RAIL
UNIT 2



DRAWN BY : T. HARTLEY DATE : 04/2021
CHECKED BY : R. FISHER DATE : 05/2021
DESIGN ENGINEER OF RECORD: R. NELSON DATE : 05/2021

PLANS PREPARED BY:
Gannett Fleming
Excellence Delivered As Promised

One Glenwood Avenue
Suite 900
Raleigh, NC 27603
(919) 420-7660
NC Lic. No. F-0270

DOCUMENT NOT CONSIDERED
FINAL UNLESS ALL
SIGNATURES COMPLETED

REVISIONS						SHEET NO.
NO.	BY:	DATE:	NO.	BY:	DATE:	S1-46
1			3			TOTAL SHEETS
2			4			125