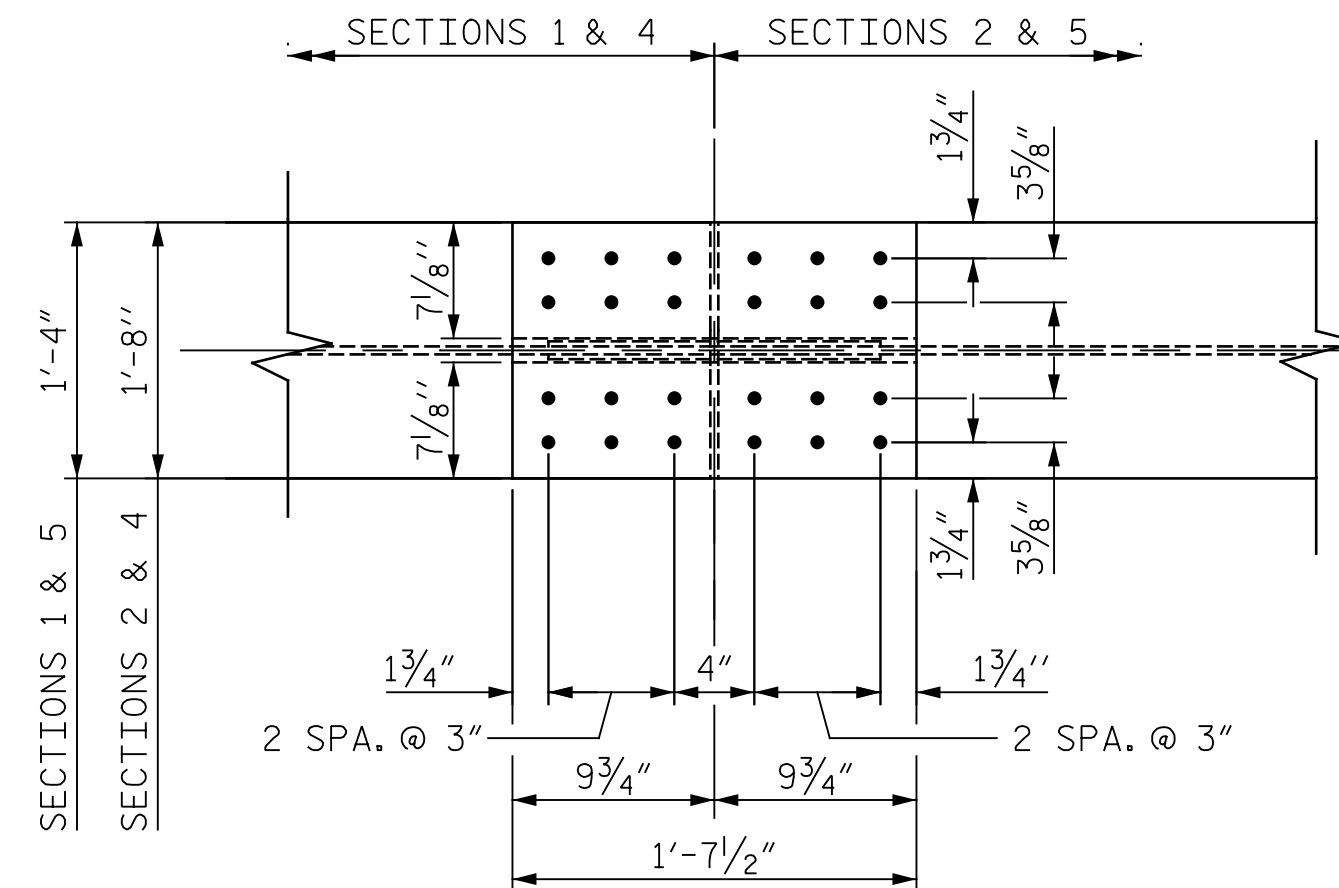
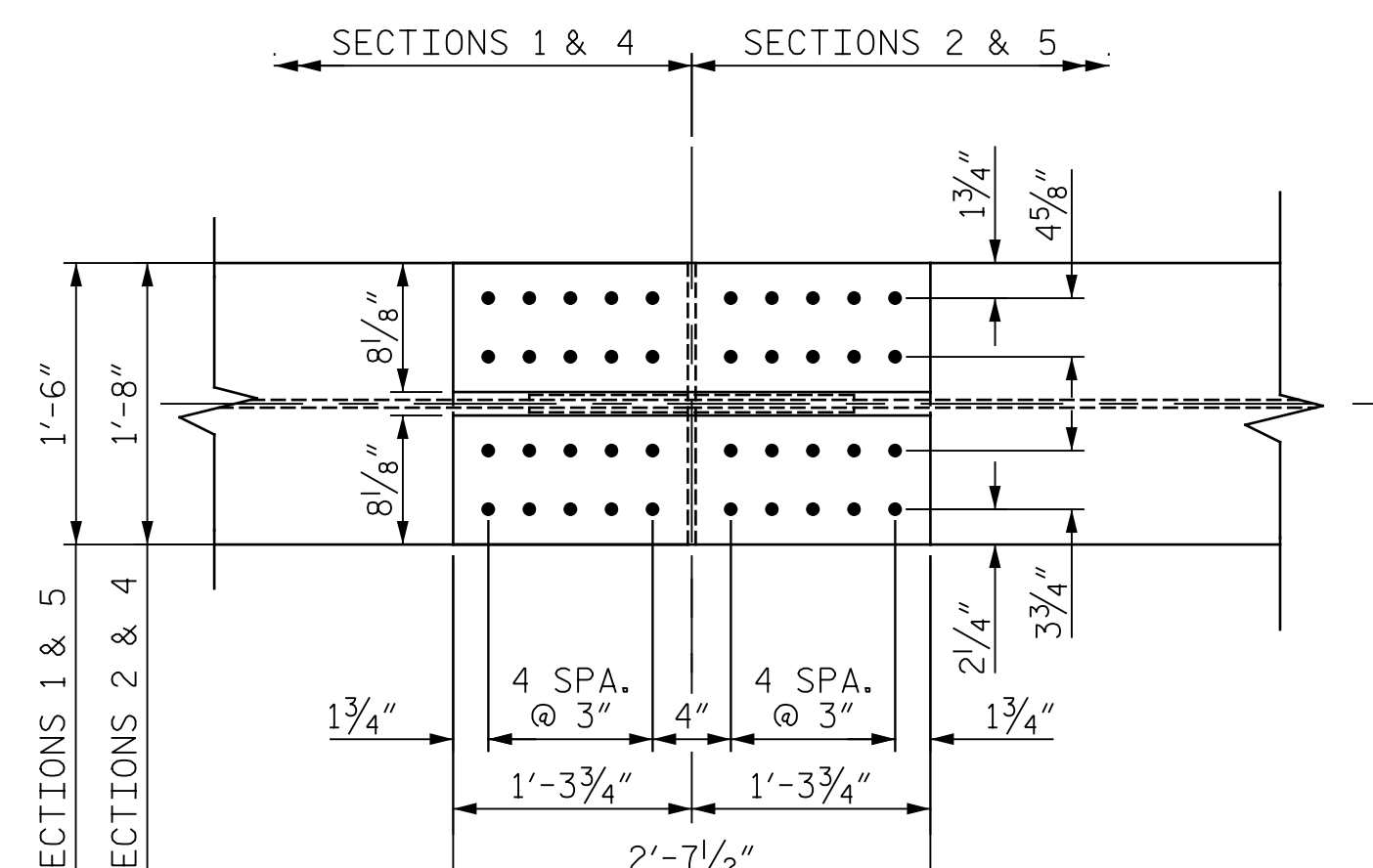


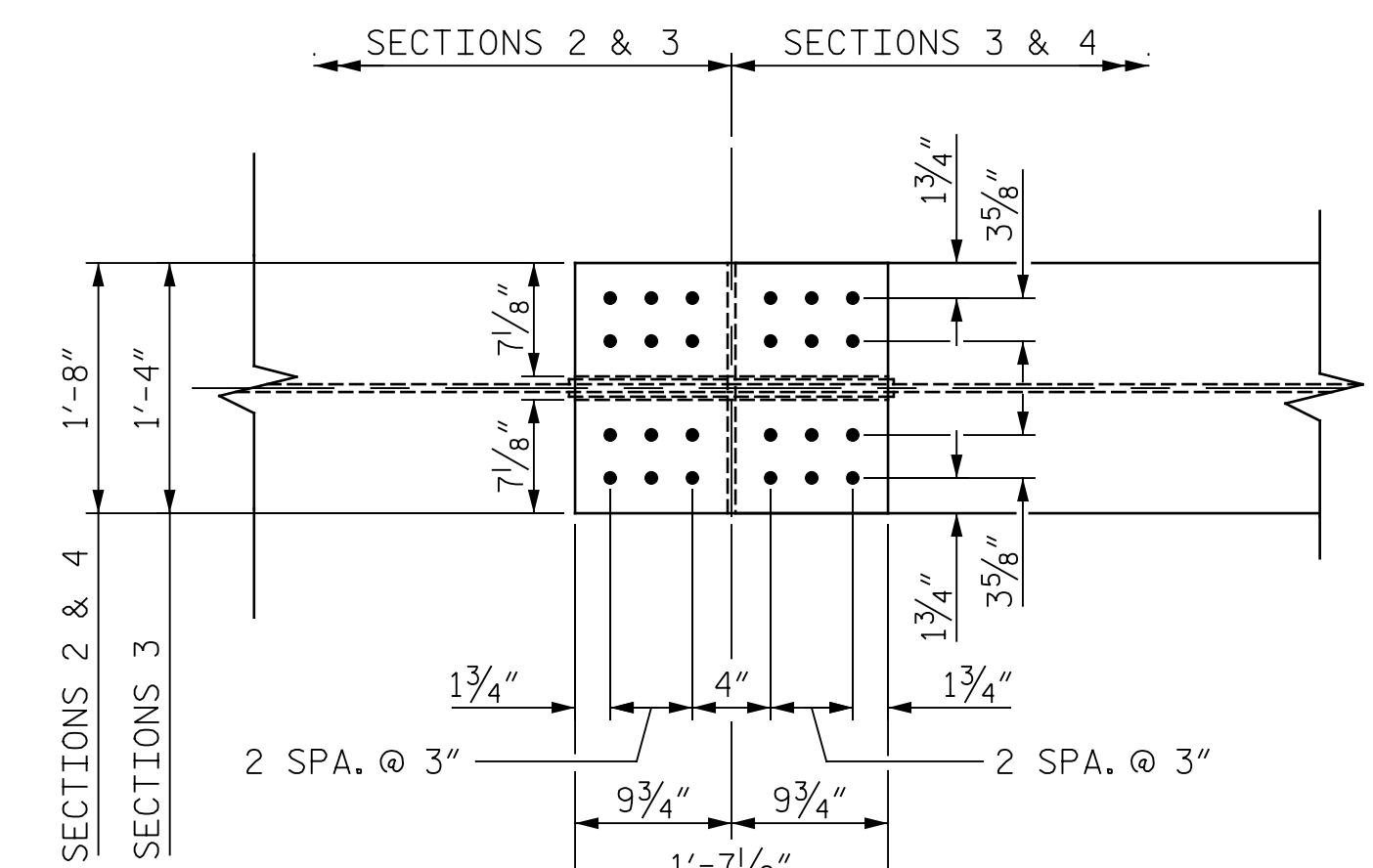
p:\gfn\et-pw.bentley.com\gfn\et-pw-01\Documents\Projects\63639\Task 010 B-4626\Discipline\Struct\DN\Rowan 3\Archives\Delete\401-069_B4626_SMU_C07_790003_033 9/2/2021 4:00:21 PM pdf_color_gfclt_FS.plt Rowan.pen.tbl



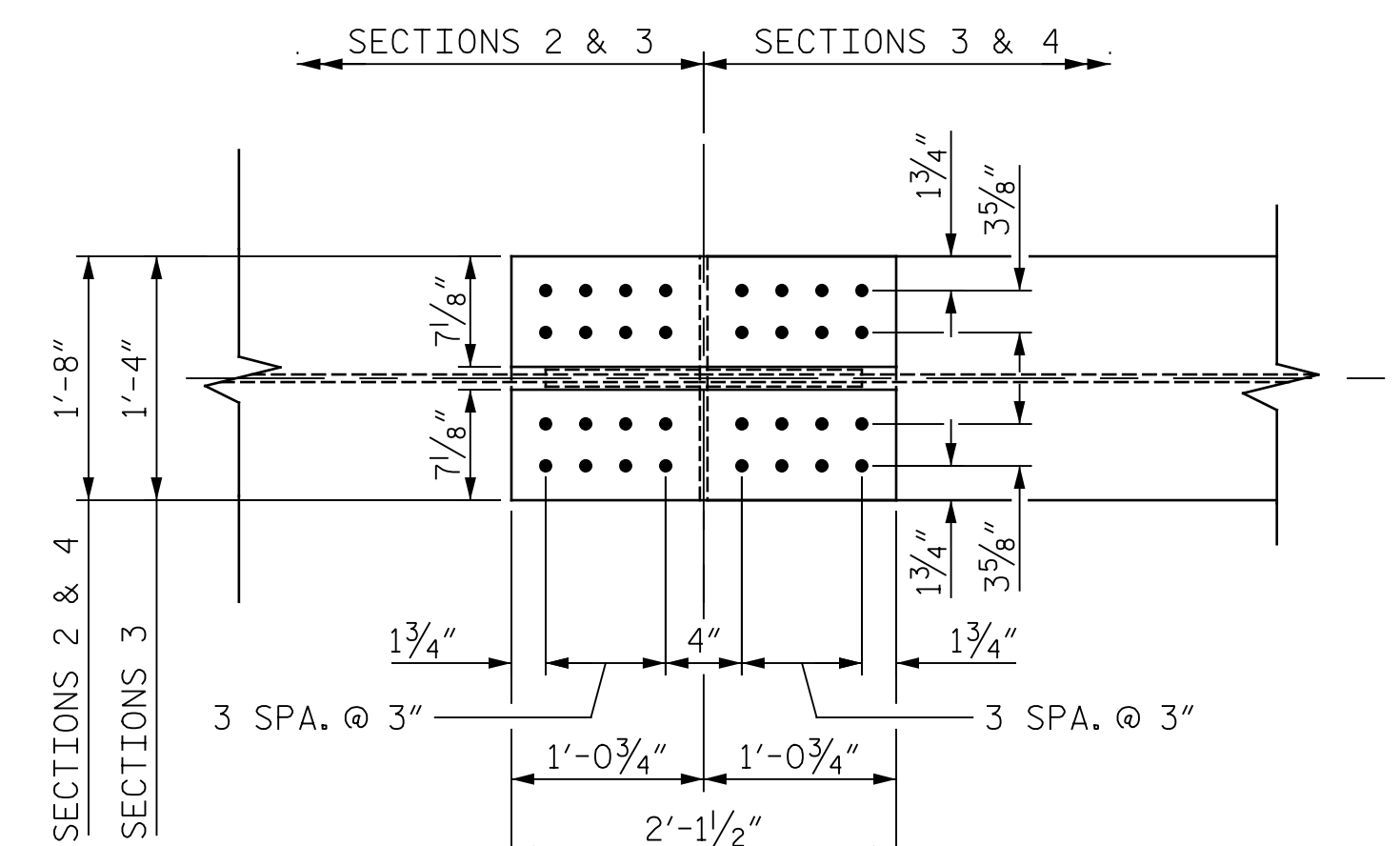
PLAN (TOP OF TOP FLANGE)



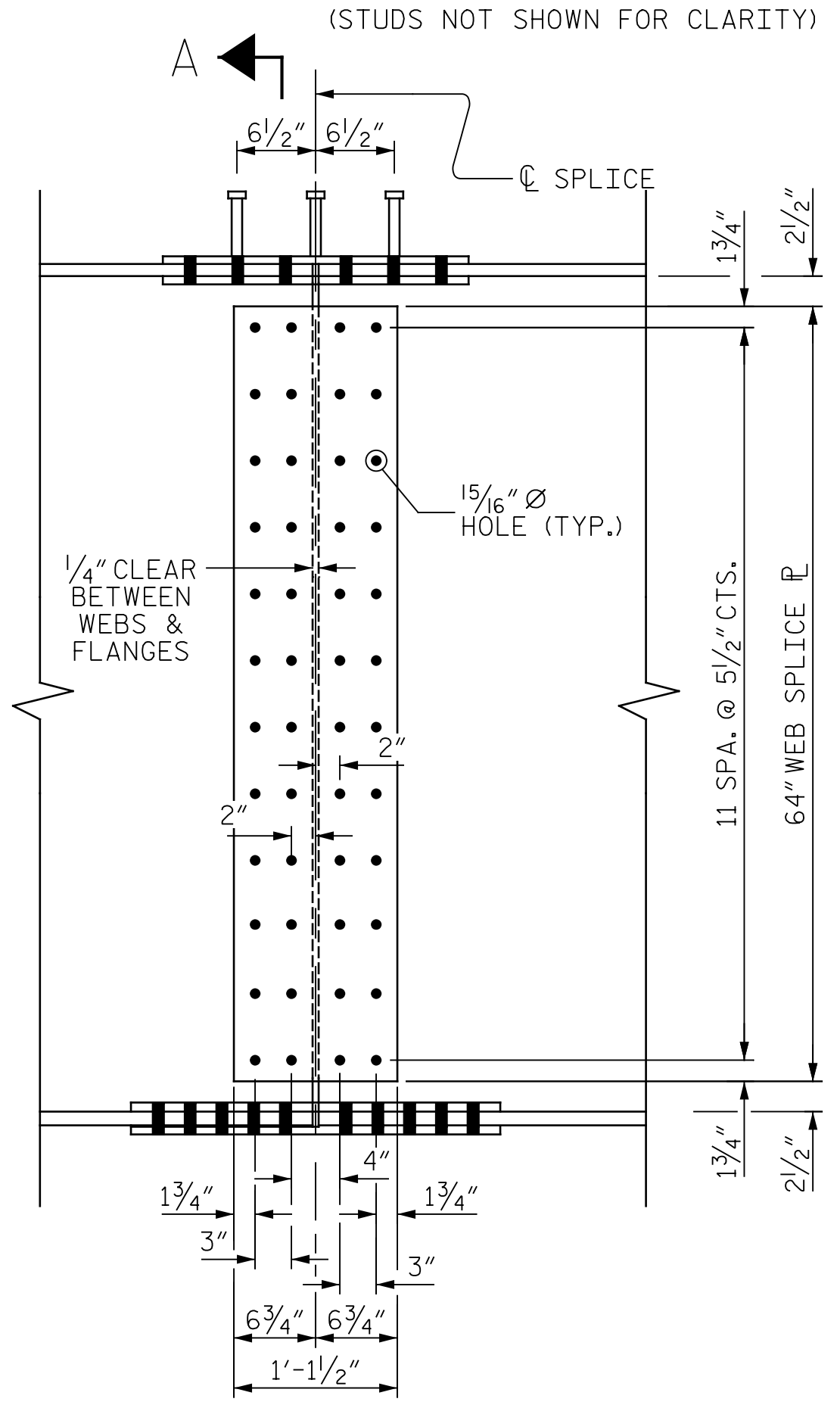
PLAN (TOP OF BOTTOM FLANGE)



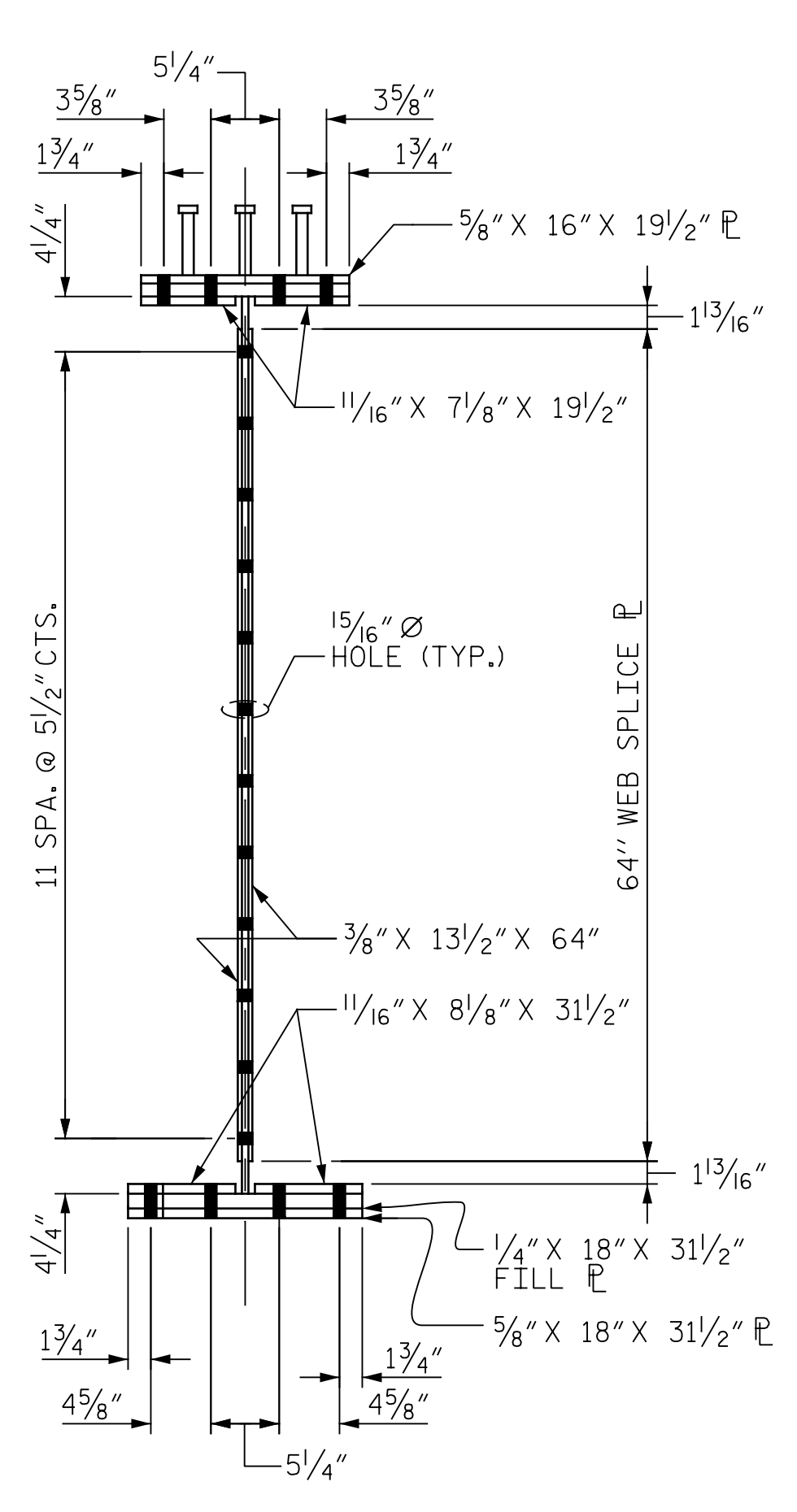
PLAN (TOP OF TOP FLANGE)



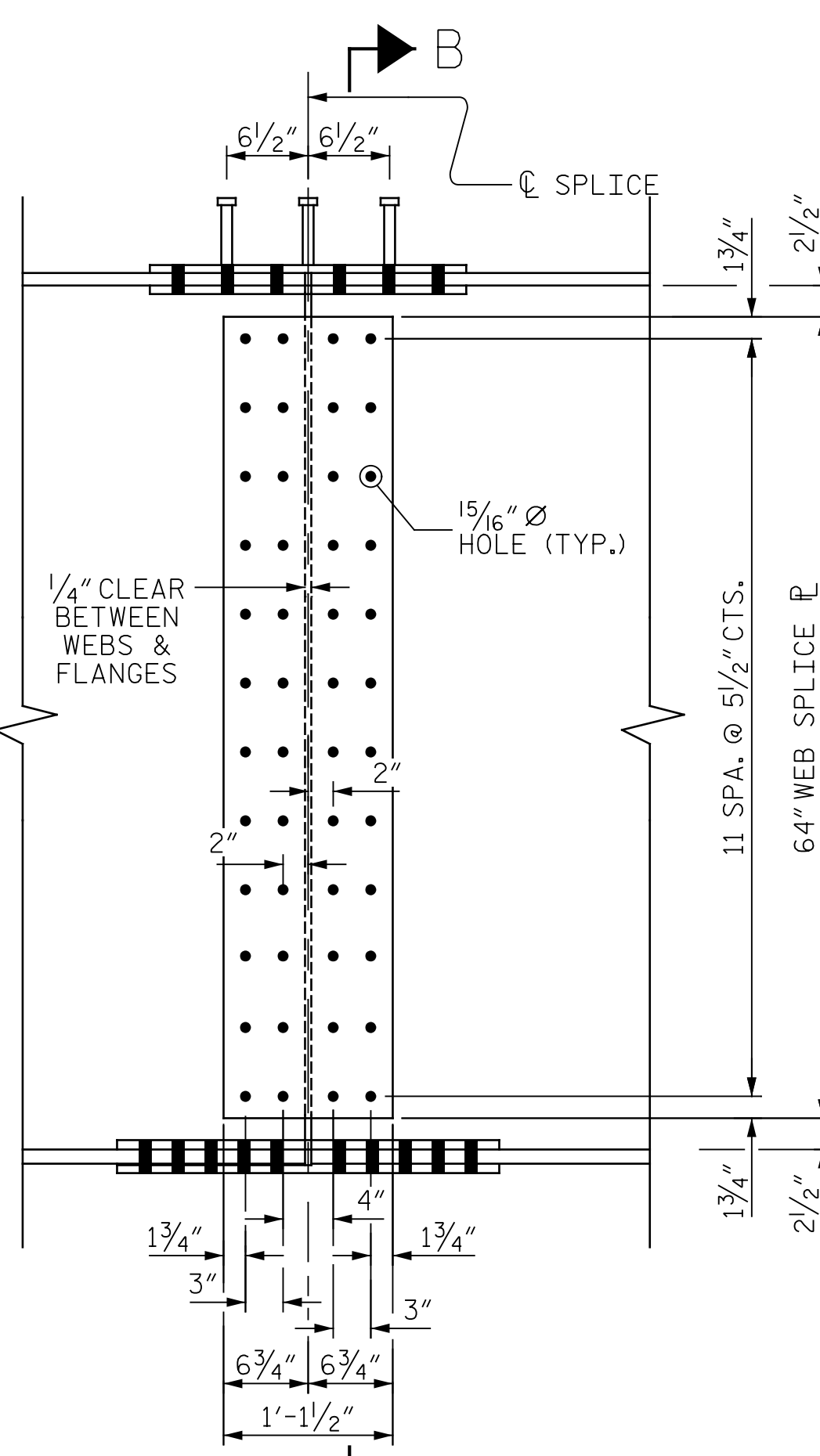
PLAN (TOP OF BOTTOM FLANGE)



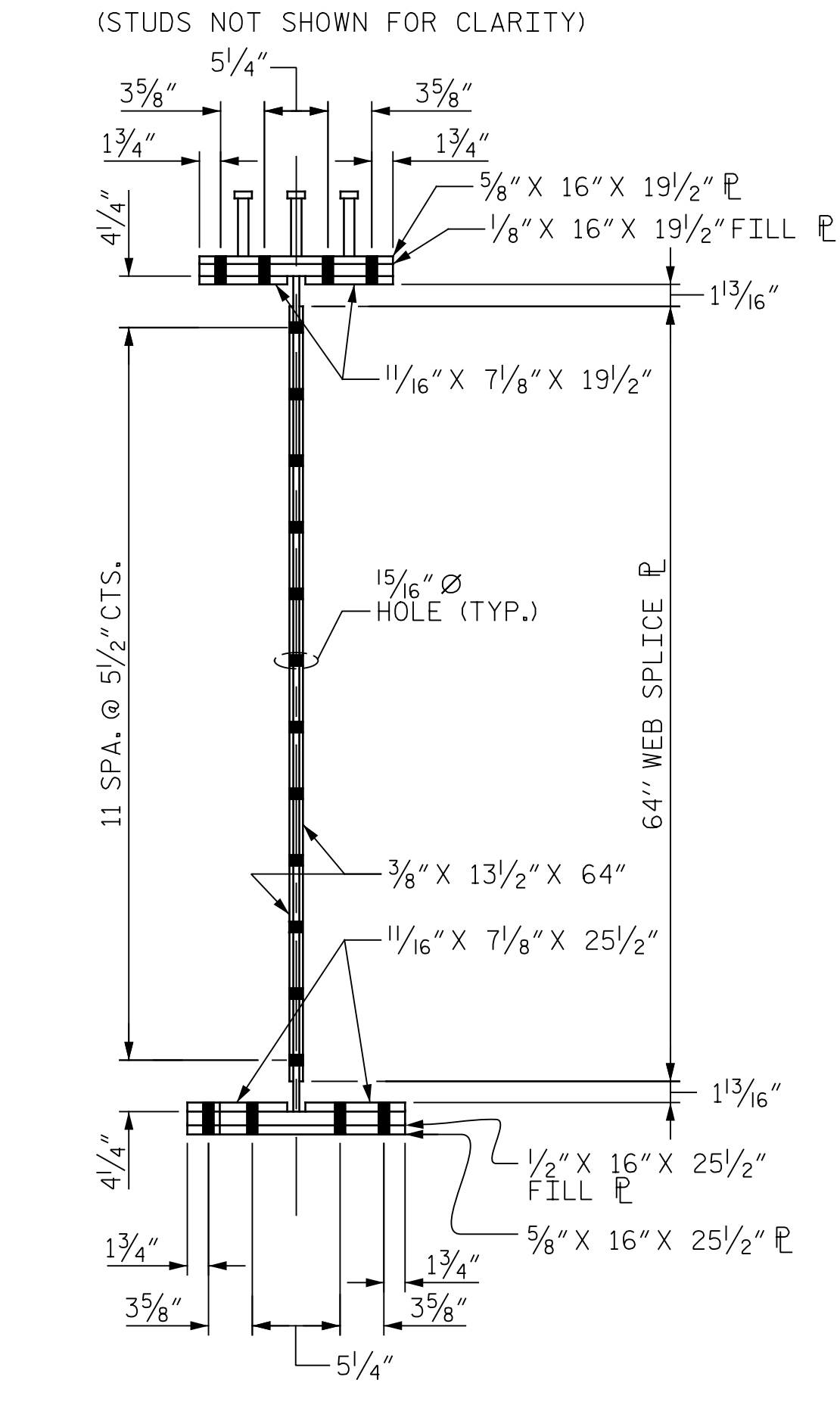
SPlice Elevation



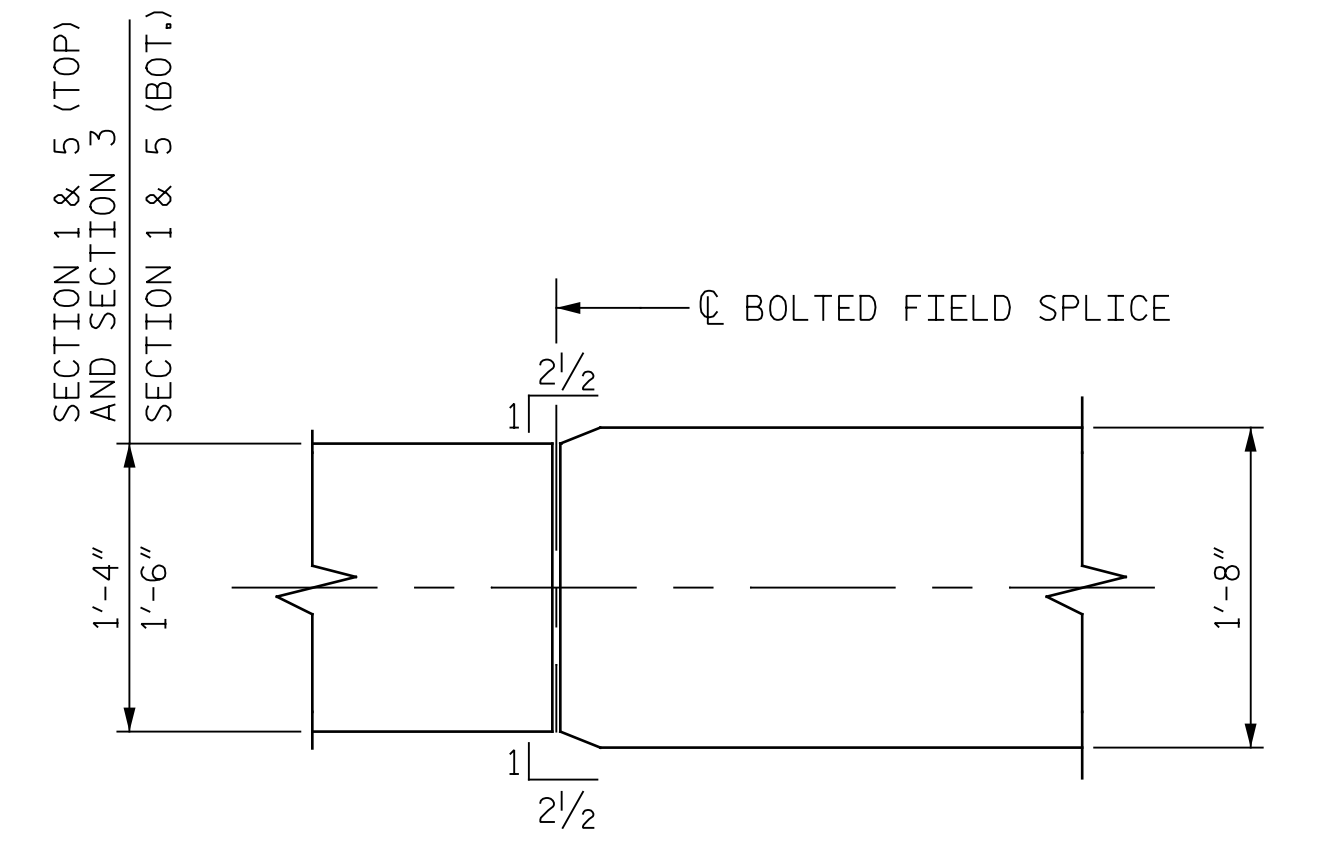
SECTION A-A



SPlice Elevation



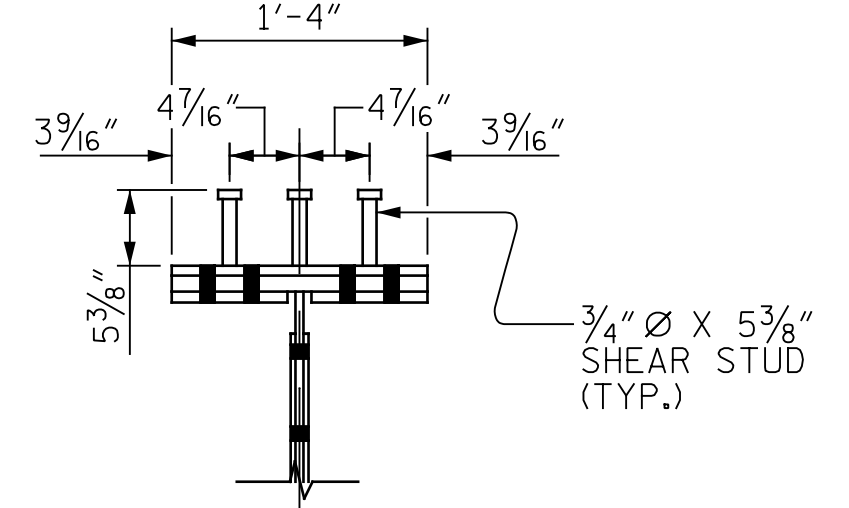
SECTION B-B



BOTTOM FLANGE CLIP DETAIL

BOLTED FIELD SPLICE DETAILS - TYPE "B"

BOLTED FIELD SPLICE DETAILS - TYPE "C"



SHEAR STUD DETAIL FOR TOP FLANGE SPLICE PLATE

(SHEAR STUDS ARE TO BE SHOP WELDED ON TOP OF PLATE BEFORE FIELD ASSEMBLY)

PROJECT NO. B-4626
STANLY, ROWAN
AND DAVIDSON COUNTY
 STATION: 45+22.65 -EBL-

SHEET 7 OF 7

STATE OF NORTH CAROLINA
 DEPARTMENT OF TRANSPORTATION
 RALEIGH

**SUPERSTRUCTURE
 STRUCTURAL STEEL
 DETAILS**

REVISIONS					
NO.	BY:	DATE:	NO.	BY:	DATE:
1			3		
2			4		

SHEET NO. S1-33
 TOTAL SHEETS 125



PLANS PREPARED BY:
Gannett Fleming
 Excellence Delivered As Promised

One Glenwood Avenue
 Suite 900
 Raleigh, NC 27603
 (919) 420-7660
 NC Lic. No. F-0270

DocuSigned by:
 Eric B. Nelson
 9/2/2021

DOCUMENT NOT CONSIDERED
 FINAL UNLESS ALL
 SIGNATURES COMPLETED

DRAWN BY: I. FORD DATE: 04/2021
 CHECKED BY: R. FISHER DATE: 05/2021
 DESIGN ENGINEER OF RECORD: R. NELSON DATE: 05/2021