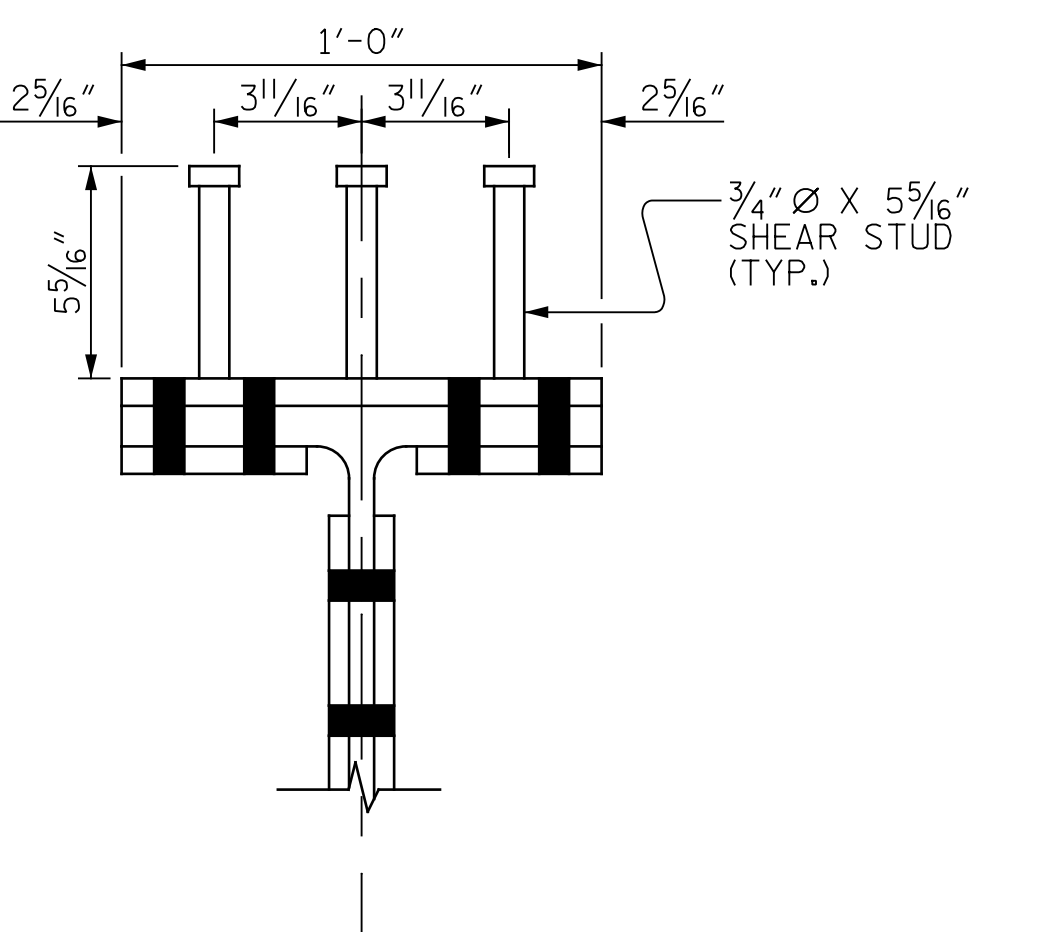
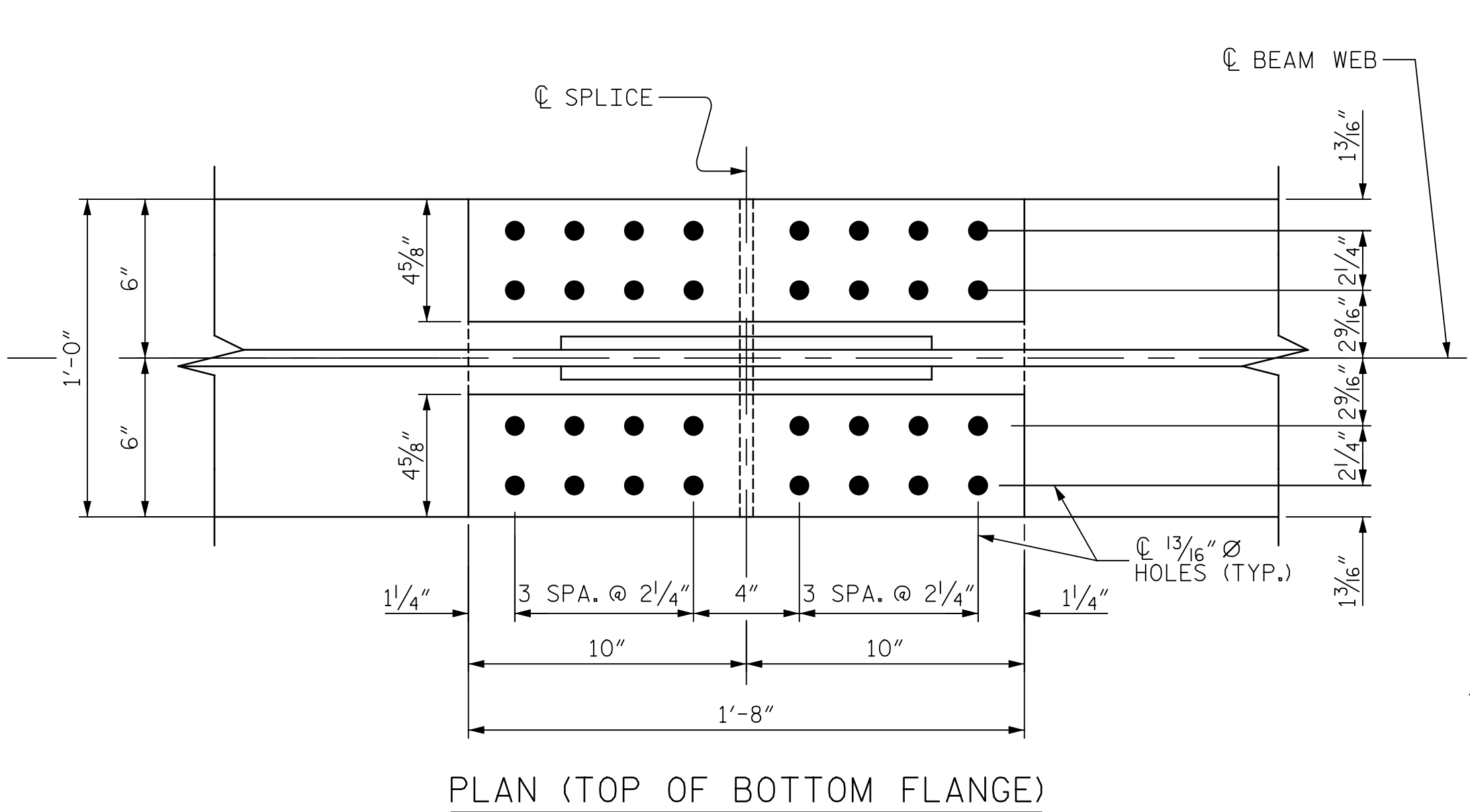
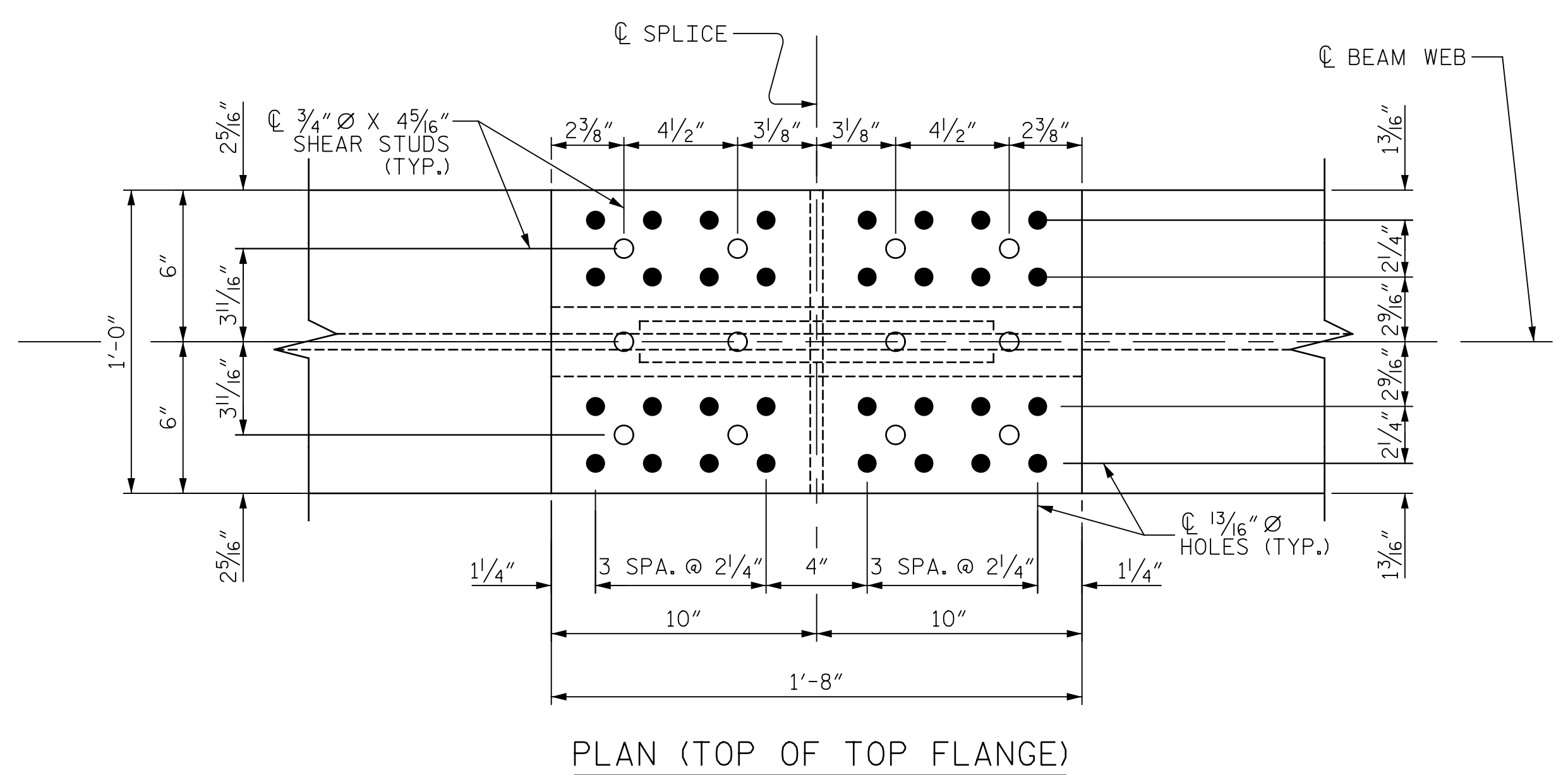
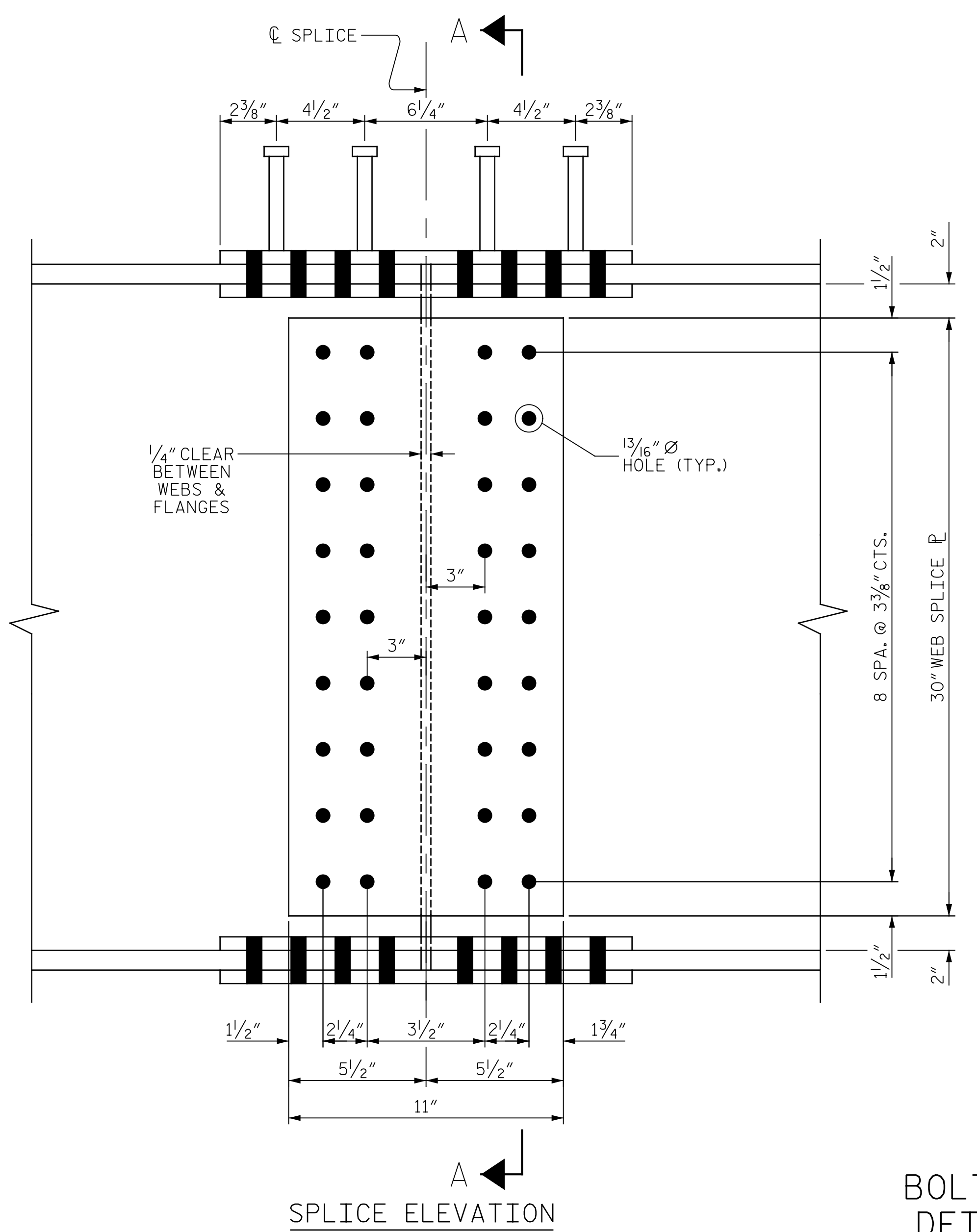


p:\gfn\et-pw.bentley.com\gfn\et-pw-01\Documents\Projects\63639\Task 010 B-4626\Discipline\Struct\DN\Rowan 3\Archives\Delete\401_067_B4626_SMU_C06_790003_032 9/2/2021 4:00:15 PM pdf_color_gfclt_FS.plt Rowan.pen.tbl

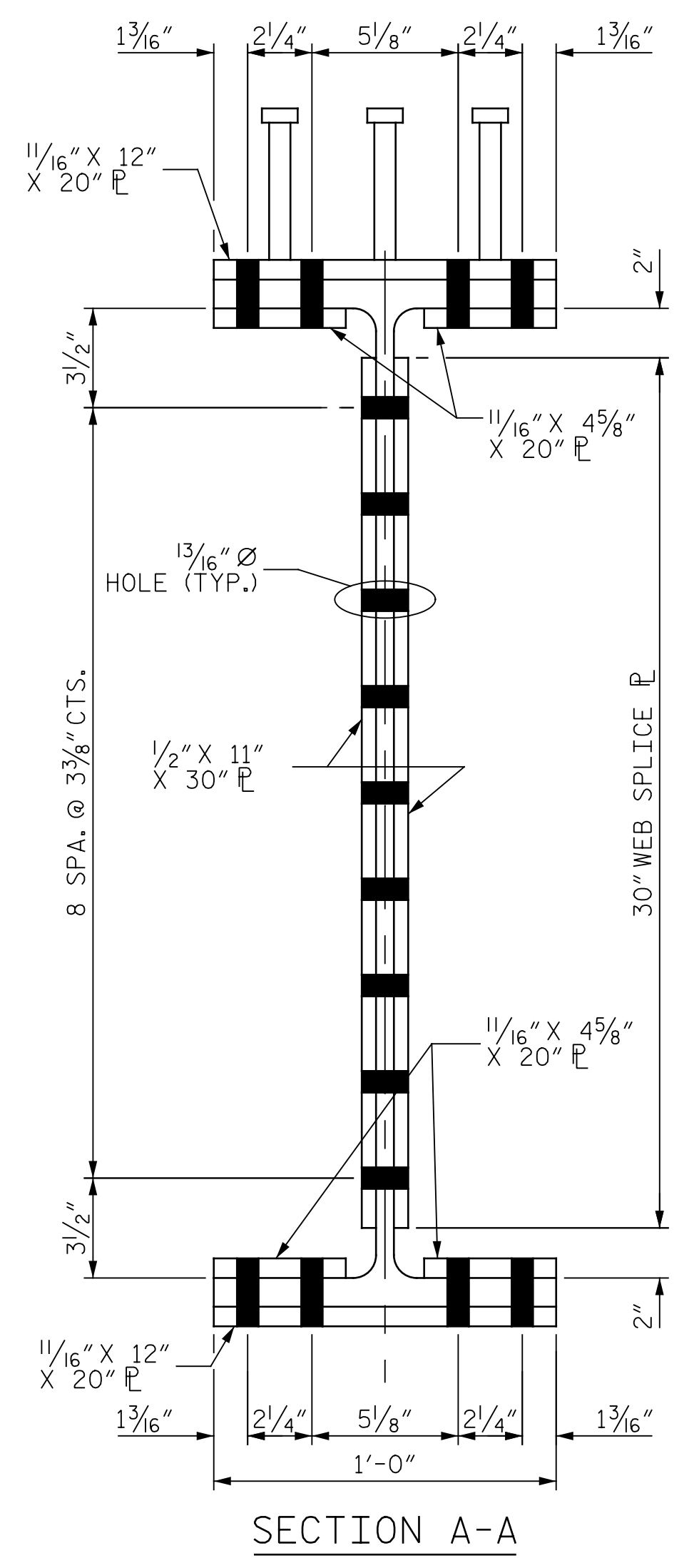


SHEAR STUD DETAIL FOR TOP FLANGE SPLICE PLATE

(SHEAR STUDS ARE TO BE SHOP WELDED ON TOP OF PLATE BEFORE FIELD ASSEMBLY)



BOLTED FIELD SPLICE DETAILS - TYPE "A"



PROJECT NO. B-4626
STANLY, ROWAN
AND DAVIDSON COUNTY
 STATION: 45+22.65 -EBL-

SHEET 6 OF 7

STATE OF NORTH CAROLINA
 DEPARTMENT OF TRANSPORTATION
 RALEIGH
 SUPERSTRUCTURE
 STRUCTURAL STEEL
 DETAILS



DRAWN BY : T. FORD DATE : 04/2021
 CHECKED BY : R. FISHER DATE : 05/2021
 DESIGN ENGINEER OF RECORD: R. NELSON DATE : 05/2021

PLANS PREPARED BY:
Gannett Fleming
 Excellence Delivered As Promised
 One Glenwood Avenue
 Suite 900
 Raleigh, NC 27603
 (919) 420-7660
 NC Lic. No. F-0270

DOCUMENT NOT CONSIDERED FINAL UNLESS ALL SIGNATURES COMPLETED

REVISIONS						SHEET NO.
NO.	BY:	DATE:	NO.	BY:	DATE:	S1-32
1			3			TOTAL SHEETS
2			4			125