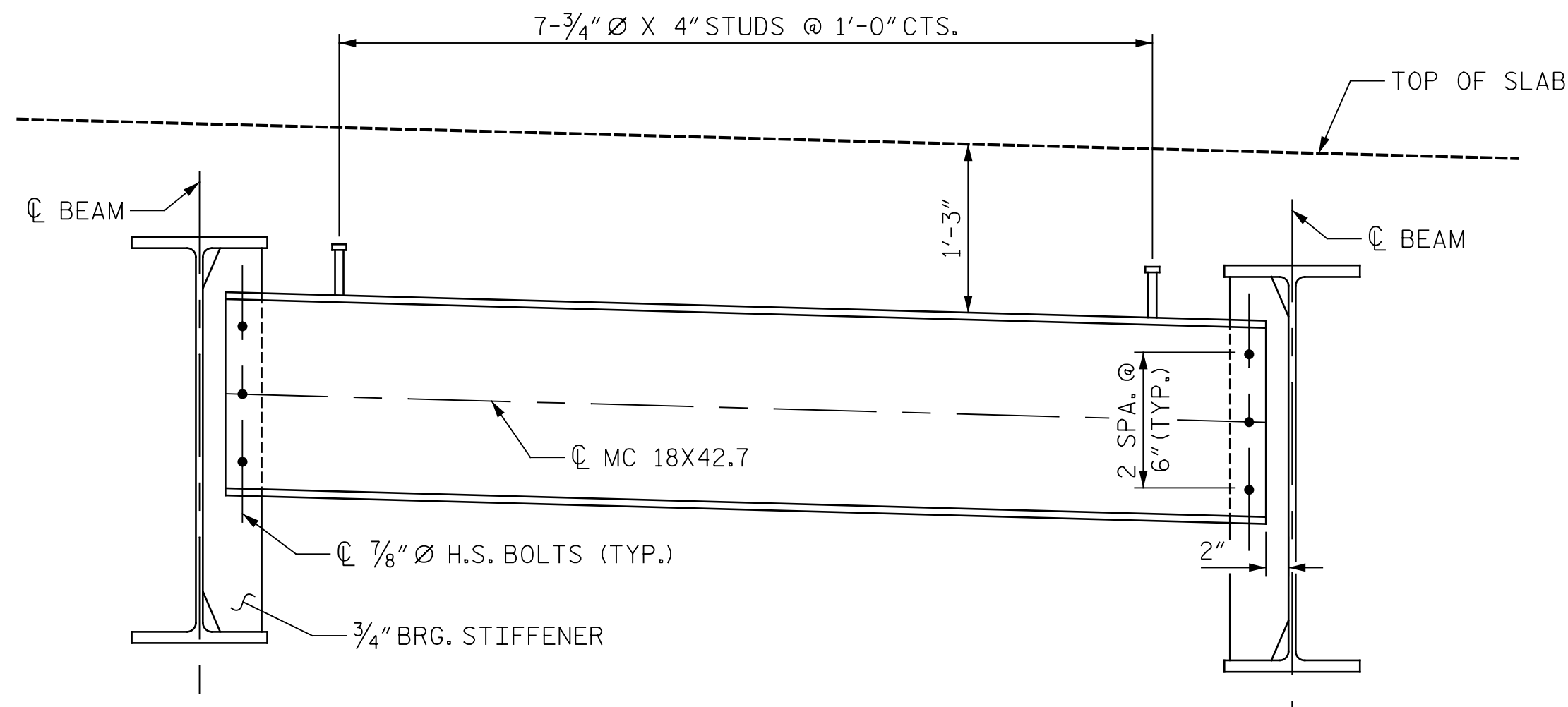
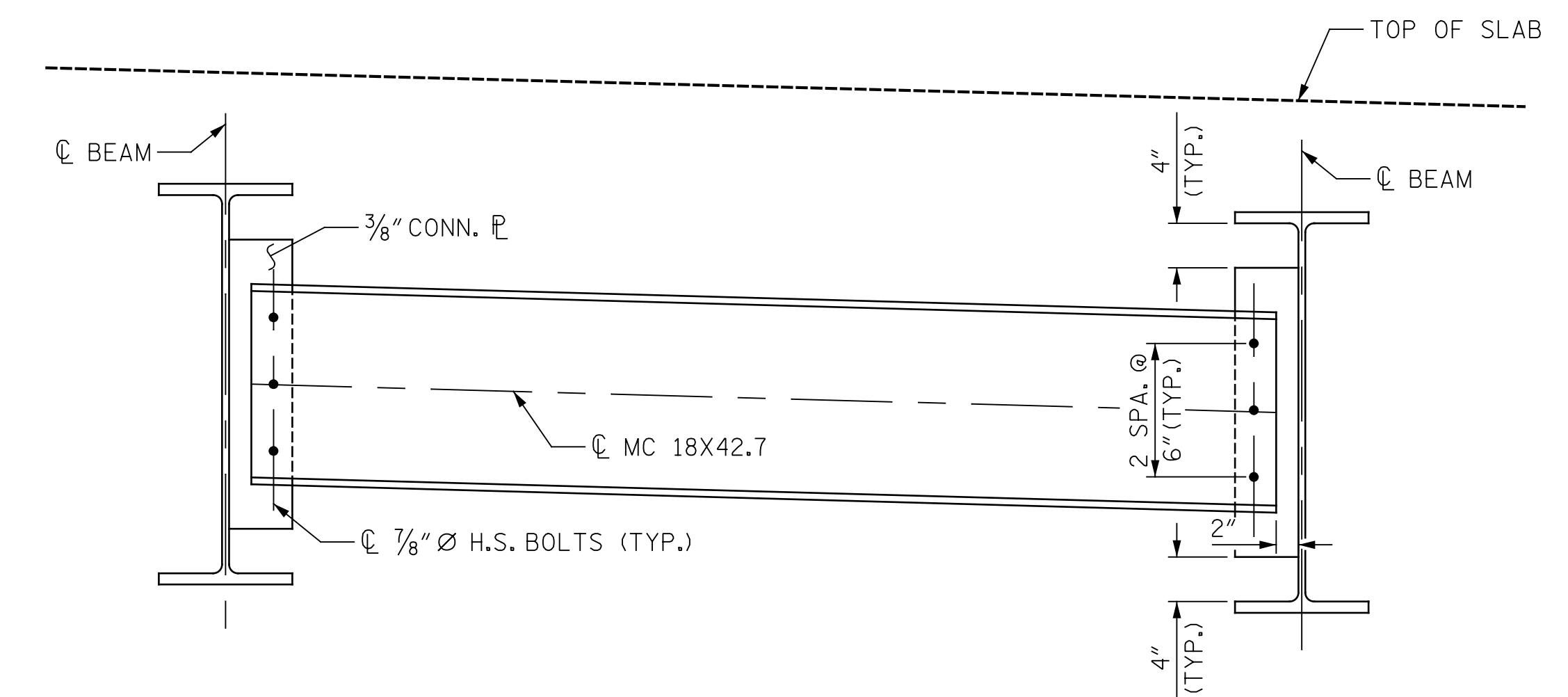


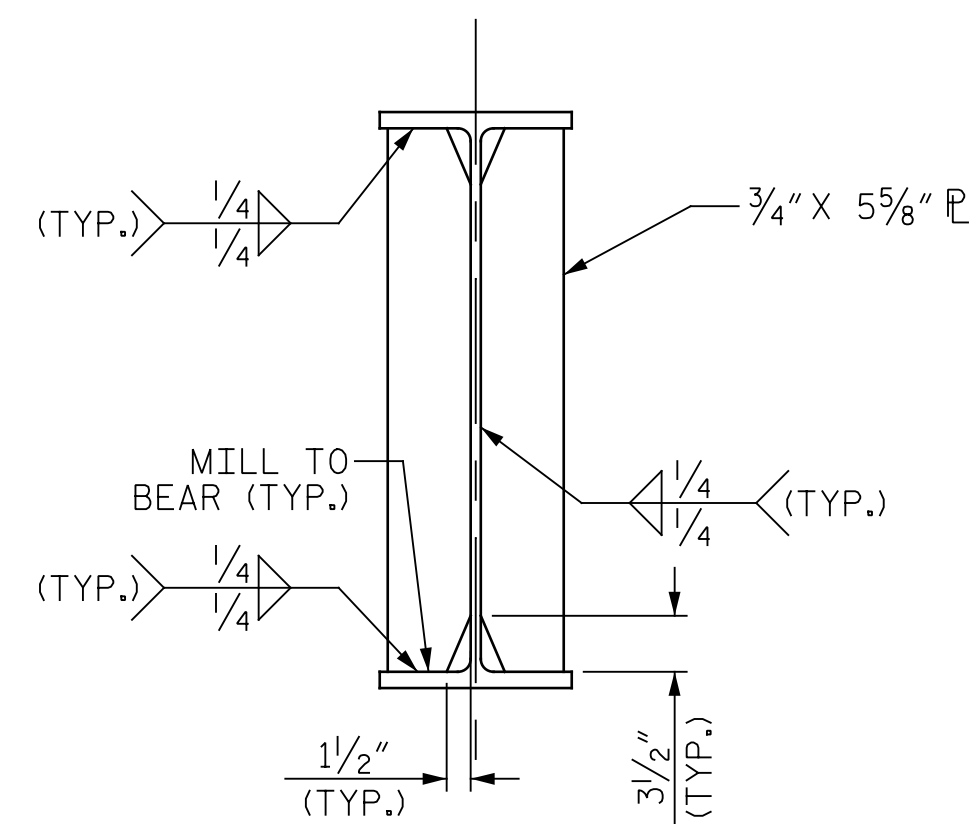
p:\gfn\pw.bentley.com\gfn\p-01\Documents\Projects\63639\Task 010 B-4626\Discipline\Struct\DN\Rowan 3\Archives\Delete\401\_063\_B4626\_SMU\_C04\_790003\_030 9/2/2021 4:00:01 PM pdf\_color\_gfclt\_FS.plt Rowan.pen.tbl



END DIAPHRAGM (D1)

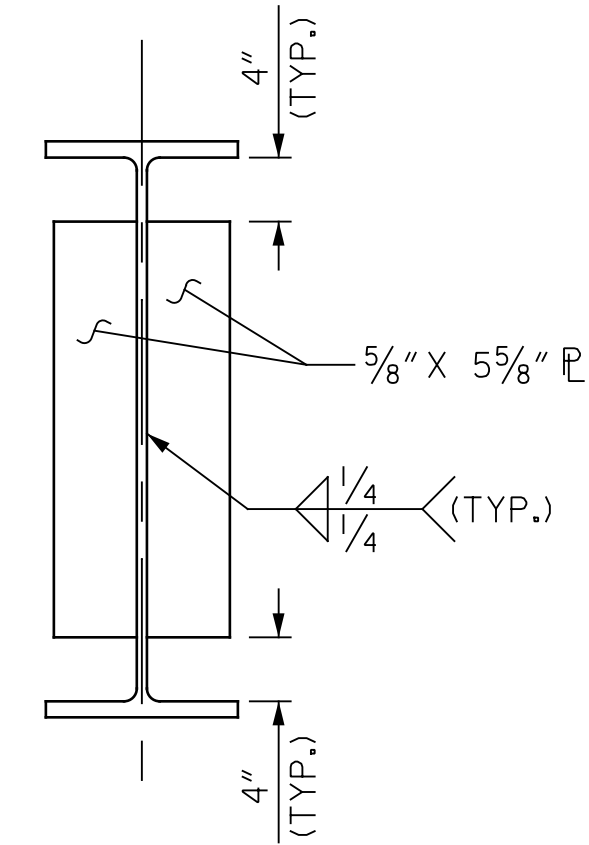


INTERMEDIATE DIAPHRAGM (D2) & BENT DIAPHRAGM (D3)



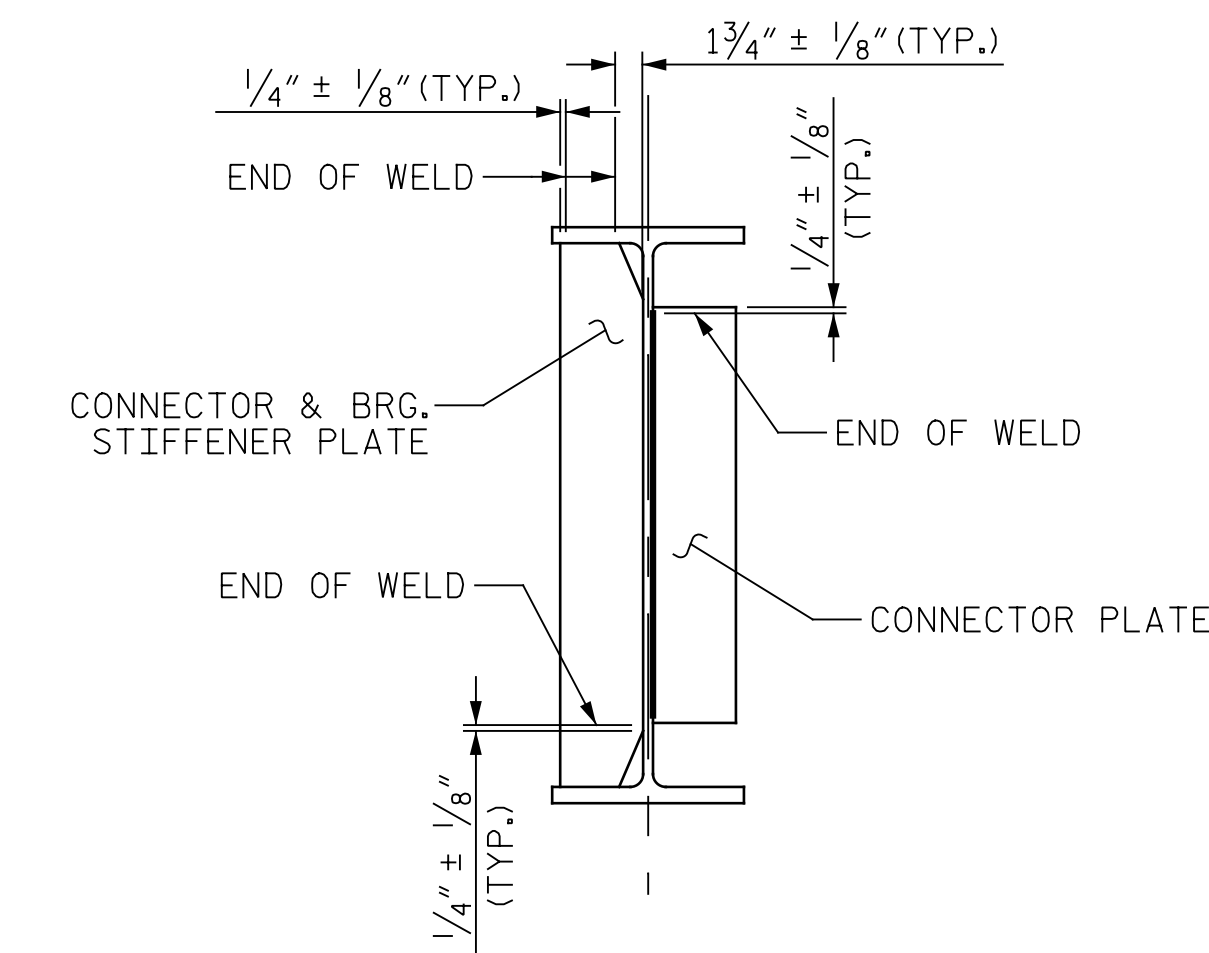
BEARING STIFFENER DETAIL & BENT DIAPHRAGM CONNECTOR PLATE

(INTERIOR BEAM SHOWN)

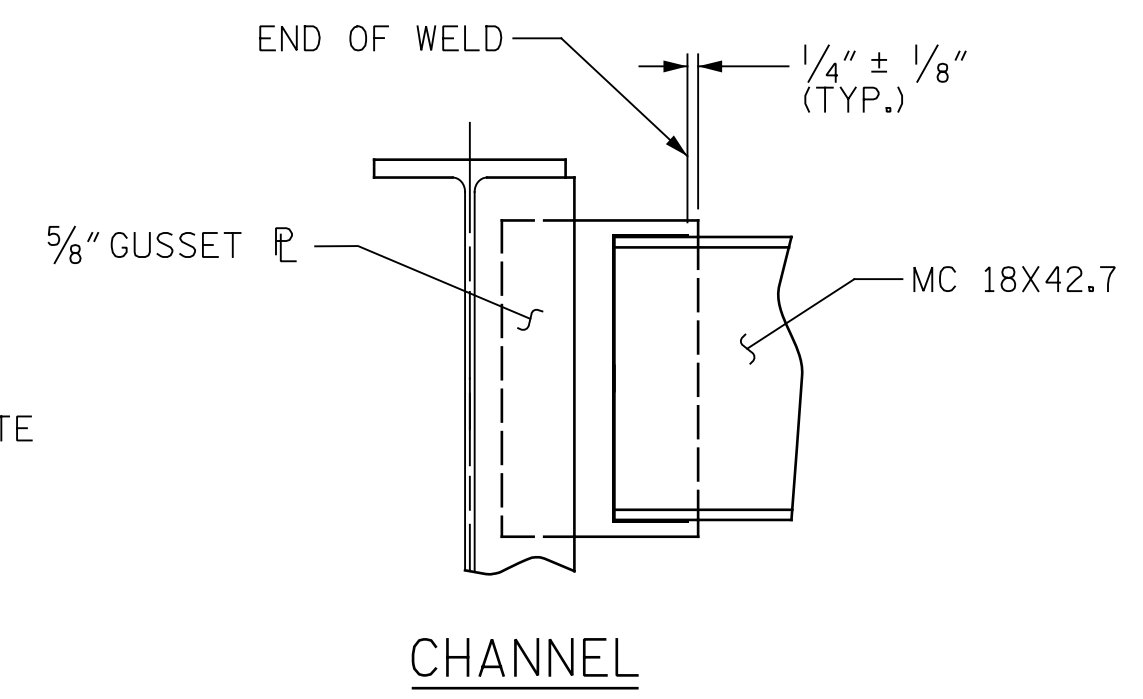


INTERMEDIATE DIAPHRAGM CONNECTOR PLATE DETAIL

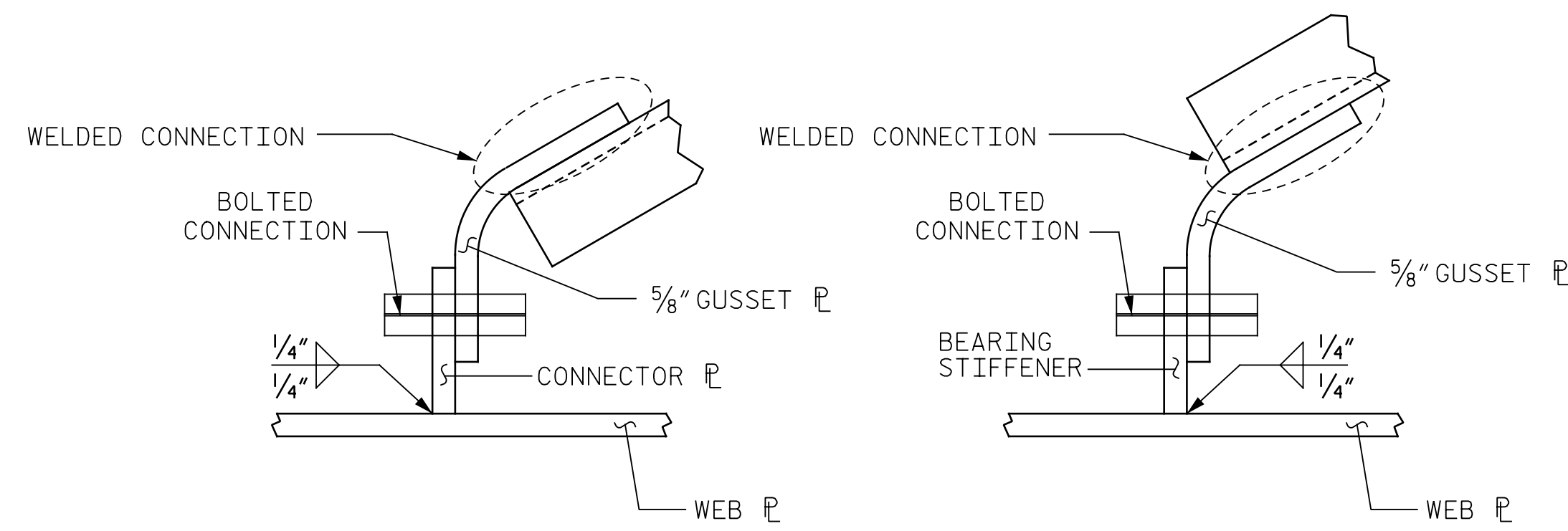
(INTERIOR BEAM SHOWN)



WELD TERMINATION DETAILS



CHANNEL



GUSSET PLATE DETAIL

PROJECT NO. B-4626  
STANLY, ROWAN  
AND DAVIDSON COUNTY  
 STATION: 45+22.65 -EBL-

SHEET 4 OF 7

STATE OF NORTH CAROLINA  
 DEPARTMENT OF TRANSPORTATION  
 RALEIGH

SUPERSTRUCTURE  
 STRUCTURAL STEEL  
 DETAILS



DRAWN BY : I. FORD DATE : 04/2021  
 CHECKED BY : R. FISHER DATE : 05/2021  
 DESIGN ENGINEER OF RECORD: R. NELSON DATE : 05/2021

PLANS PREPARED BY:  
**Gannett Fleming**  
 Excellence Delivered As Promised

One Glenwood Avenue  
 Suite 900  
 Raleigh, NC 27603  
 (919) 420-7660  
 NC Lic. No. F-0270

DocuSigned by:  
 Eric B. Nelson 9/2/2021  
 AC2020211921403

DOCUMENT NOT CONSIDERED  
 FINAL UNLESS ALL  
 SIGNATURES COMPLETED

REVISIONS						SHEET NO.
NO.	BY:	DATE:	NO.	BY:	DATE:	S1-30
1			3			TOTAL SHEETS
2			4			125