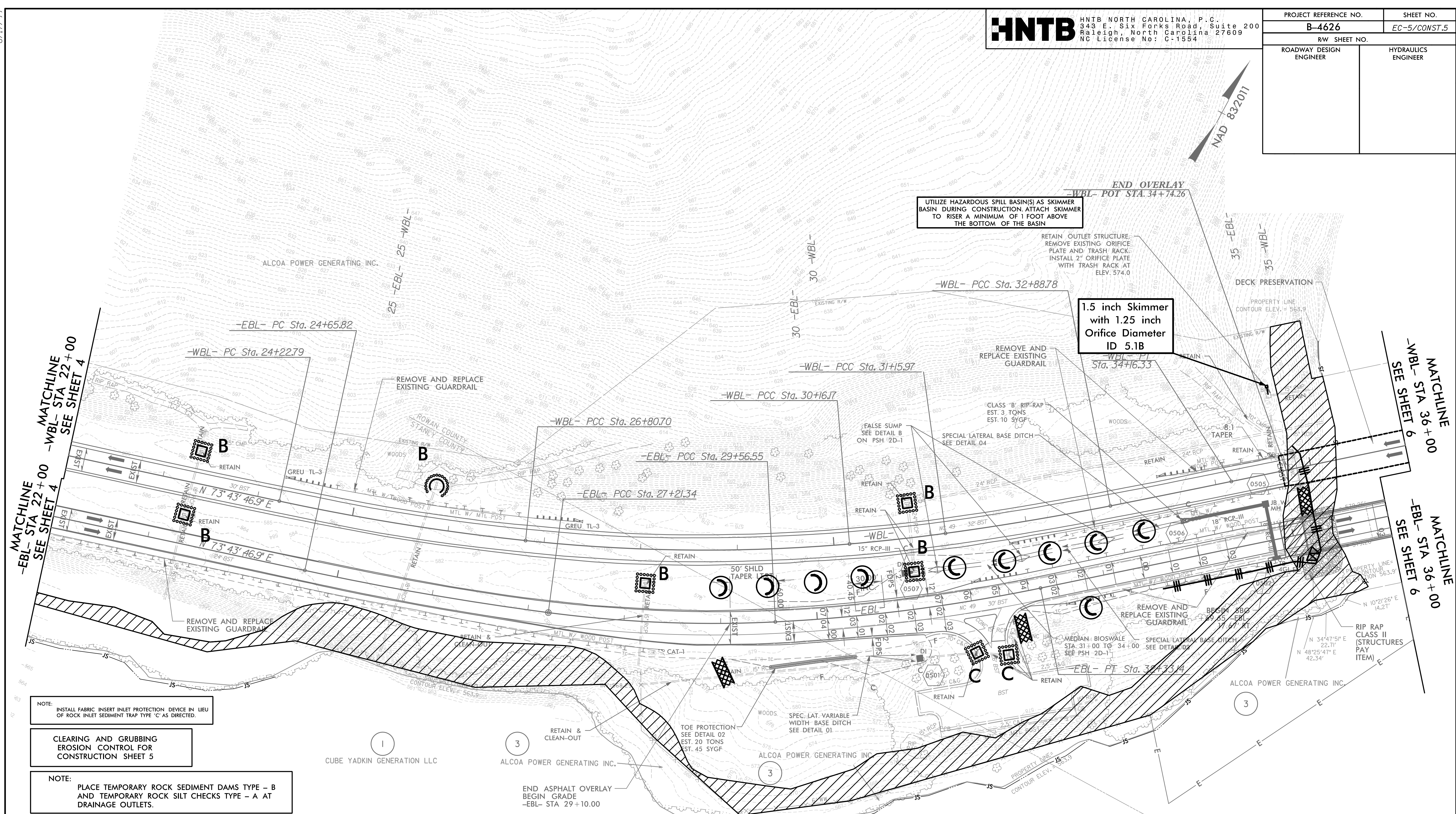


8/17/99

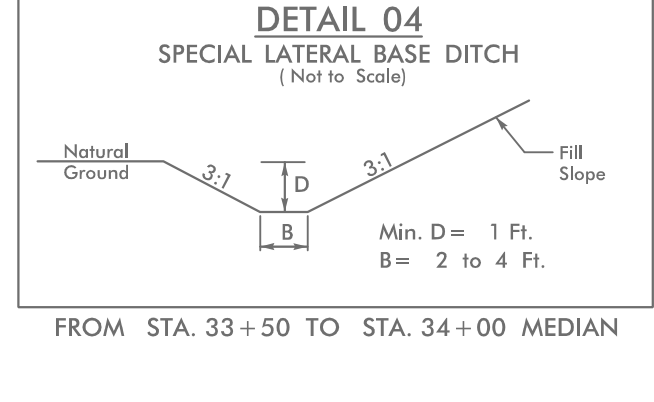
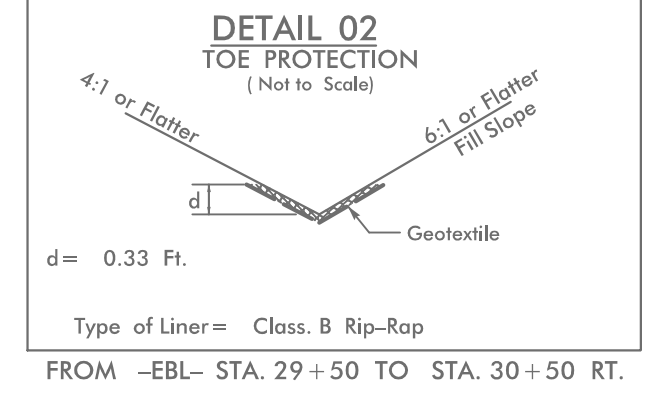
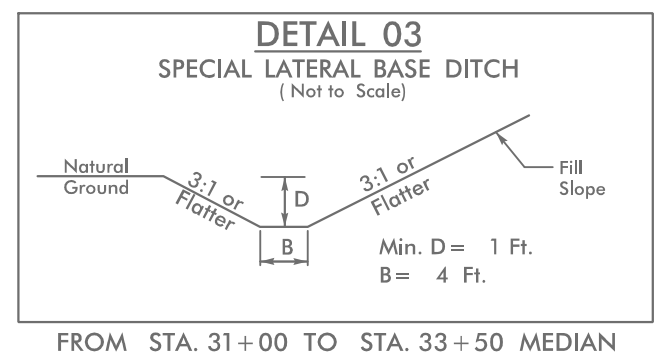
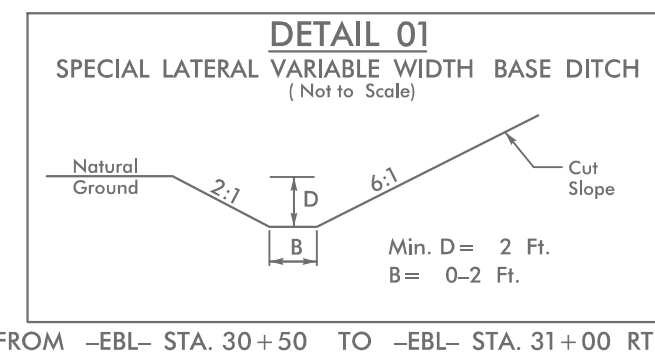
PROJECT REFERENCE NO.	SHEET NO.
B-4626	EC-5/CONST.5
RW SHEET NO.	
ROADWAY DESIGN ENGINEER	HYDRAULICS ENGINEER



NOTE: INSTALL FABRIC INSERT INLET PROTECTION DEVICE IN LIEU OF ROCK INLET SEDIMENT TRAP TYPE 'C' AS DIRECTED.

CLEARING AND GRUBBING EROSION CONTROL FOR CONSTRUCTION SHEET 5

NOTE: PLACE TEMPORARY ROCK SEDIMENT DAMS TYPE - B AND TEMPORARY ROCK SILT CHECKS TYPE - A AT DRAINAGE OUTLETS.



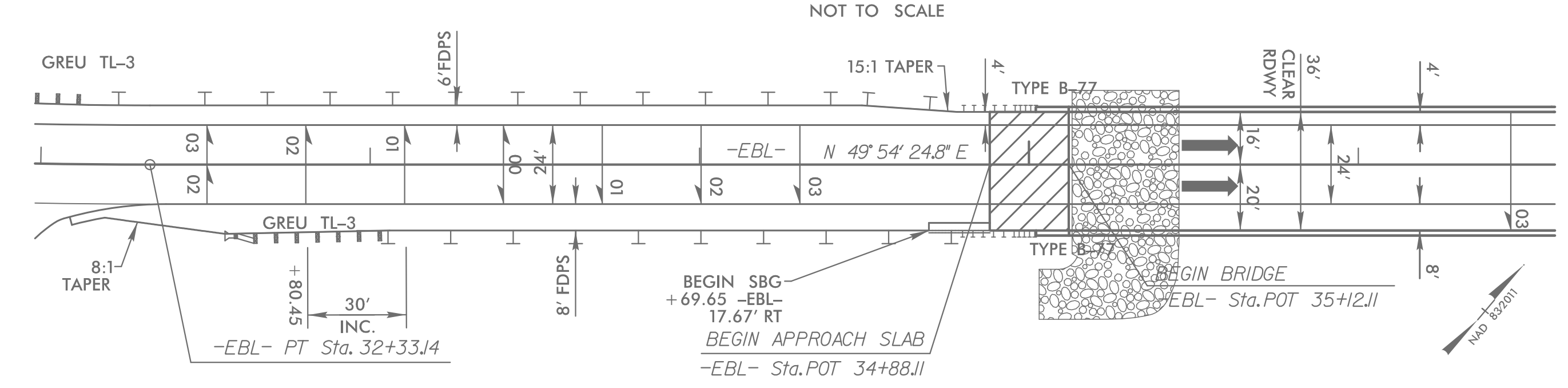
FOR -EBL- PROFILE, SEE SHEET 9  
 FOR -WBL- PROFILE, SEE SHEET 12

FOR STRUCTURE PLANS, SEE SHEET S-1 THRU S-

UTILIZE HAZARDOUS SPILL BASIN(S) AS SKIMMER BASIN DURING CONSTRUCTION. ATTACH SKIMMER TO RISE A MINIMUM OF 1 FOOT ABOVE THE BOTTOM OF THE BASIN

1.5 inch Skimmer with 1.25 inch Orifice Diameter ID 5.1B

SKETCH OF BRIDGE IN RELATIONSHIP TO PAVEMENT



8/17/2021  
resign\B-4626.EC.PSH.dgn  
HNTB