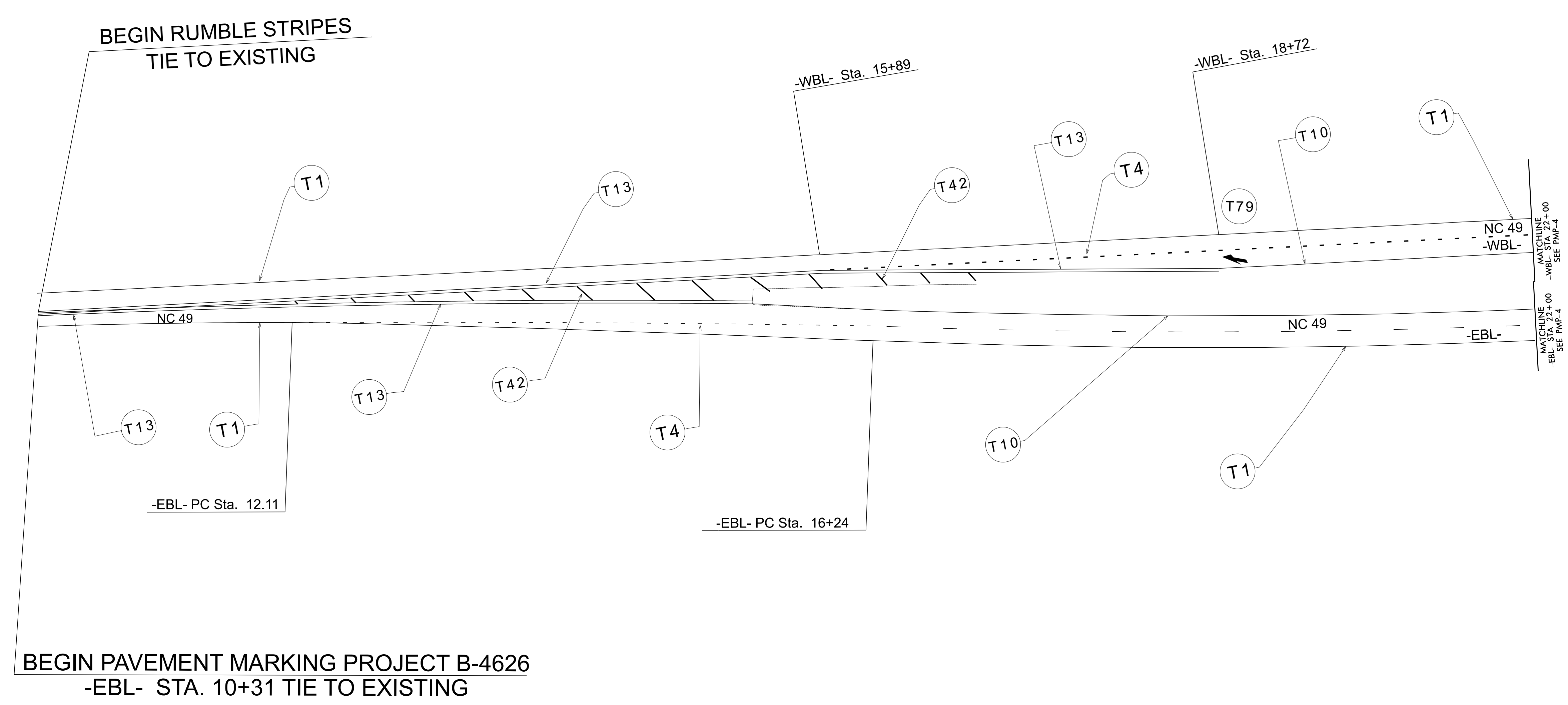
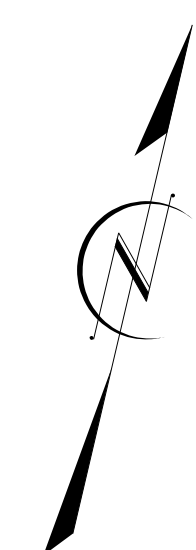
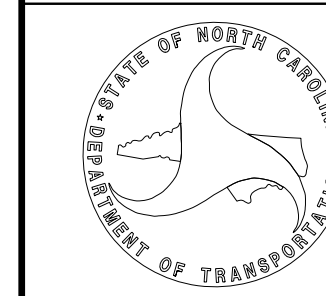


INCOMPLETE PLANS

DOCUMENT NOT CONSIDERED FINAL UNLESS ALL SIGNATURES COMPLETED



BEGIN PAVEMENT MARKING PROJECT B-4626
 -EBL- STA. 10+31 TIE TO EXISTING