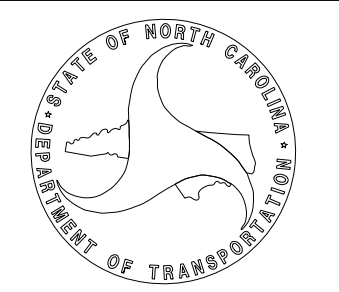
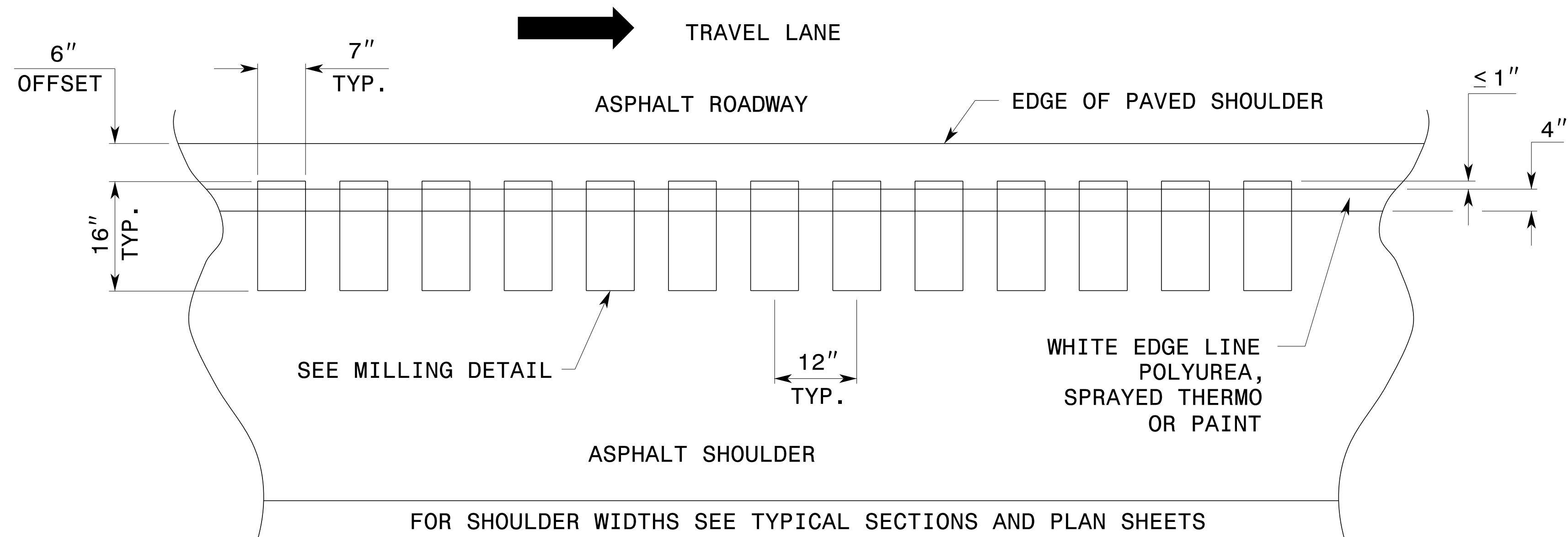


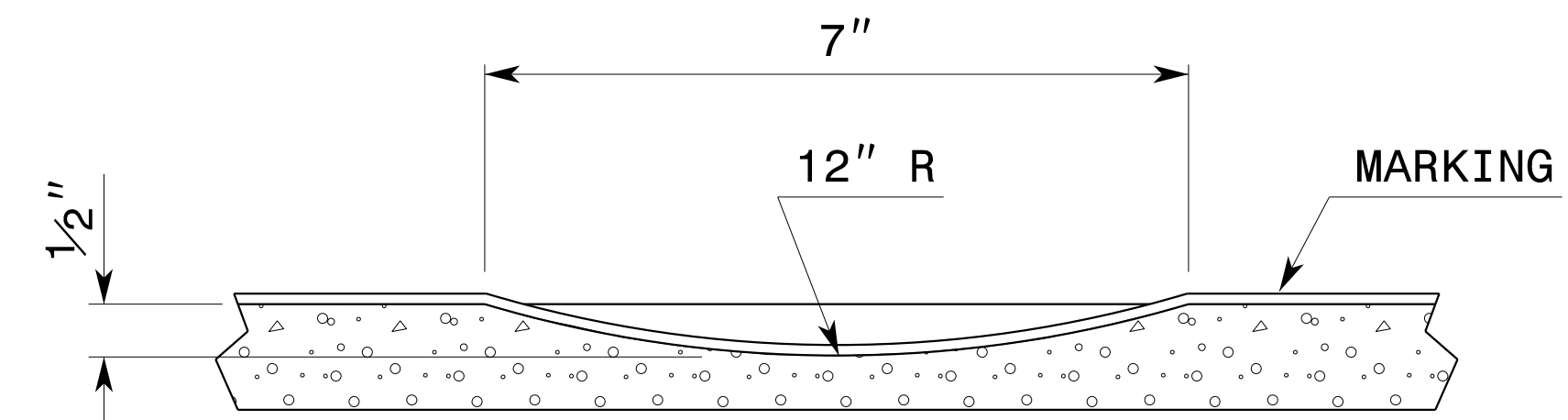
INCOMPLETE PLANS
DOCUMENT NOT CONSIDERED FINAL
UNLESS ALL SIGNATURES COMPLETED



PAVED SHOULDER

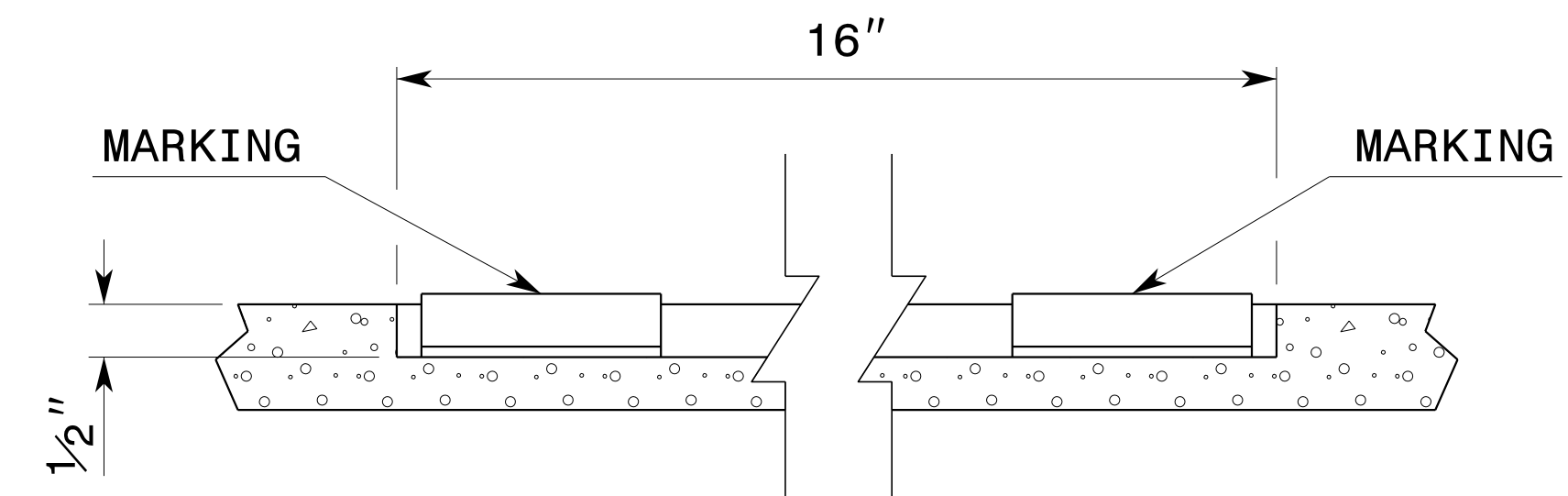
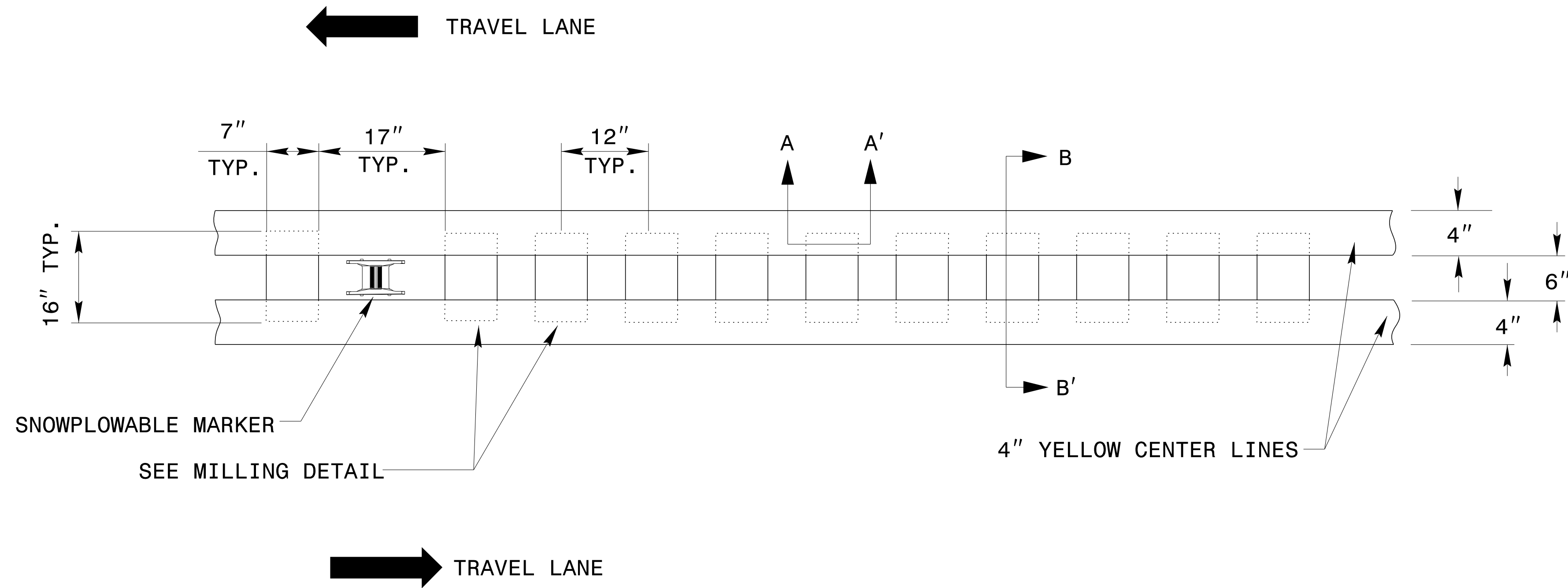


MILLING DETAIL



SECTION A-A'

CENTER LINE



SECTION B-B'

MILLED RUMBLE STRIPE DETAIL