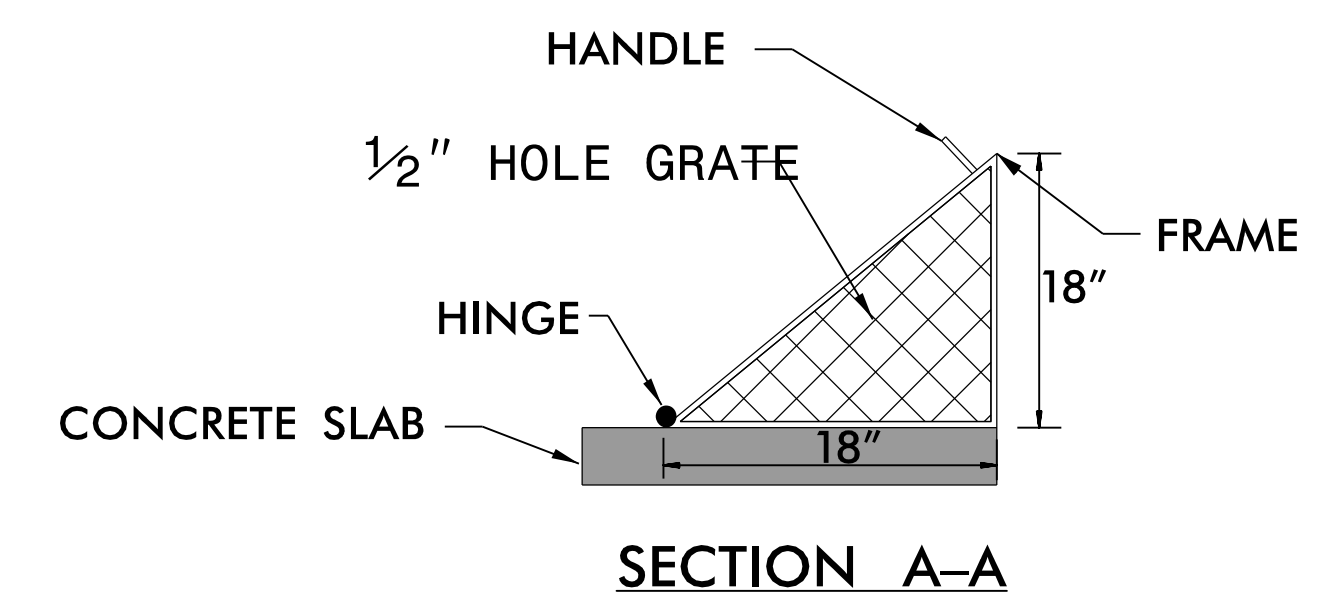
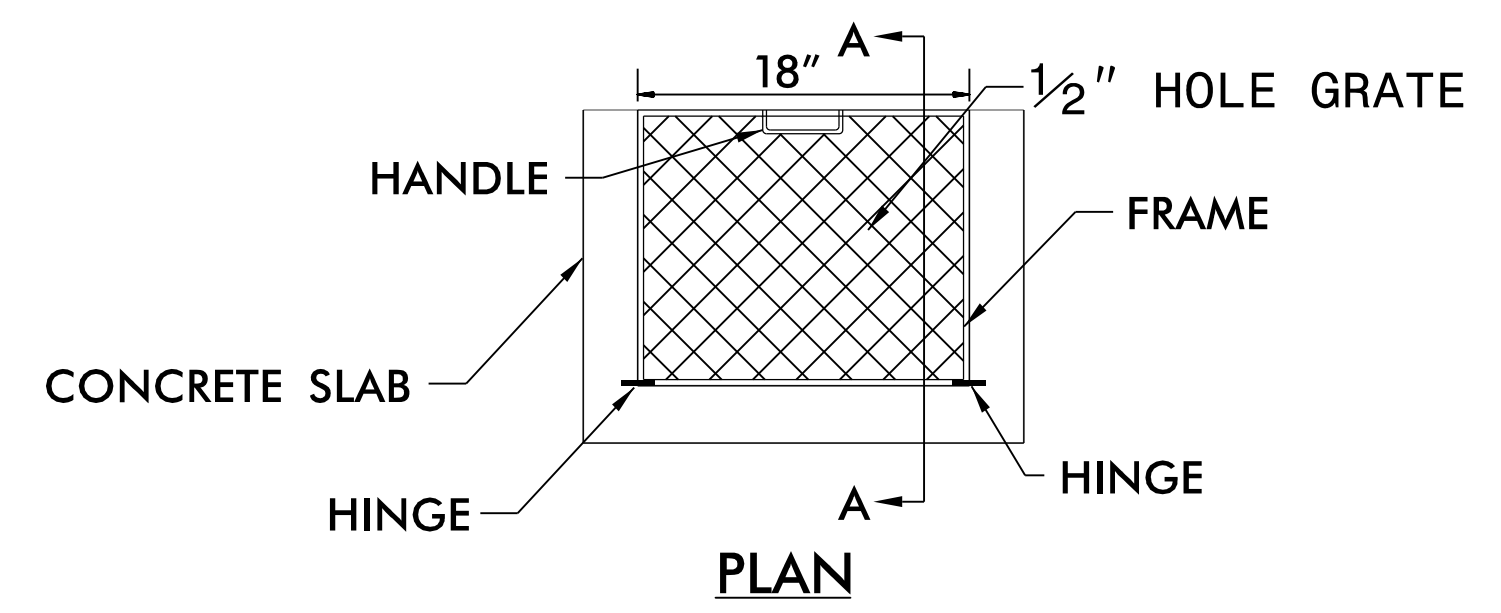
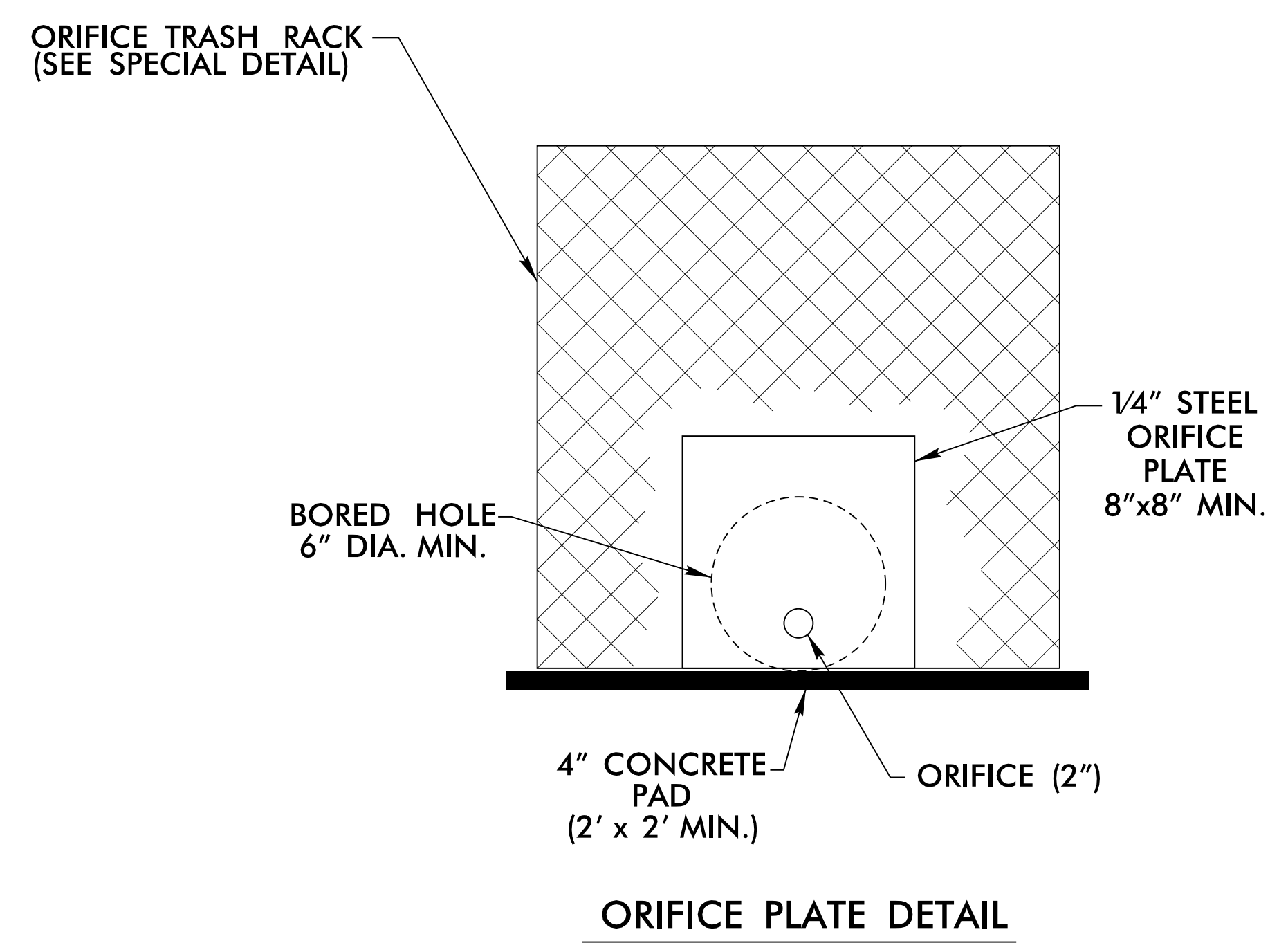


8/17/99

PROJECT REFERENCE NO. B-4626	SHEET NO. 2D-2
RW SHEET NO.	
HYDRAULICS ENGINEER	
DOCUMENT NOT CONSIDERED FINAL UNLESS ALL SIGNATURES COMPLETED	

ORIFICE TRASH RACK (N.T.S.)

- ORIFICE TRASH RACK NOTES:
- 1) ALL JOINTS SHALL BE FULLY WELDED AROUND JOINT WITH A MINIMUM OF A 1/4" BEAD.
 - 2) IF BOLTS ARE ANCHORED IN CONCRETE, FOLLOW STD. DWG. 862.03 AND 862.04 FOR ANCHORING PROCEDURE.
 - 3) REMOVEABLE ORIFICE TRASH RACK SHALL BE ATTACHED TO CONCRETE BOX BY HINGE OR SLIDE RAIL SYSTEM.
 - 4) RACK AND HARDWARE SHALL BE ALUMINUM OR GALVANIZED IN ACCORDANCE WITH ASTM A-153.



SUMMARY OF COMPONENT ITEMS (for Stormwater BMP's)

ITEM DESCRIPTION	UNIT	QUANTITY	
		MEDIAN BIOSWALE	PROJECT TOTALS
BIOSWALE FILTRATION MEDIA	CY	90	90
POLYMER CONCRETE CLEANOUT BOXES	EA	1	1
NO. 57 STONE, WASHED	TONS	50	50
POLYPROPYLENE NON-WOVEN GEOTEXTILE FABRIC	SY	250	250
BIOSWALE UNDERDRAIN PIPE	SY	300	300

REVISIONS

14-SEP-2021 12:17
 V:\B-4626\Drawings\B-4626-hyd-2D-2.dgn
 HNTB