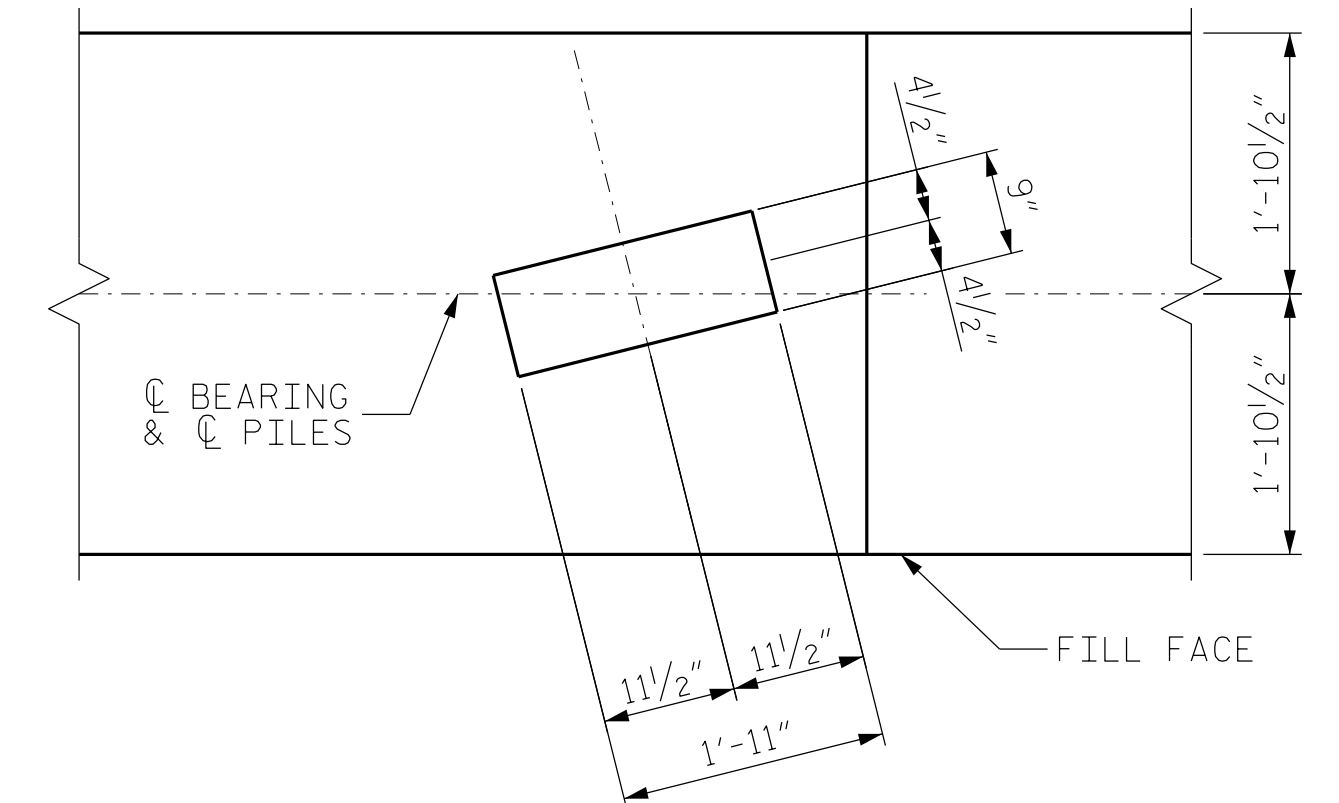
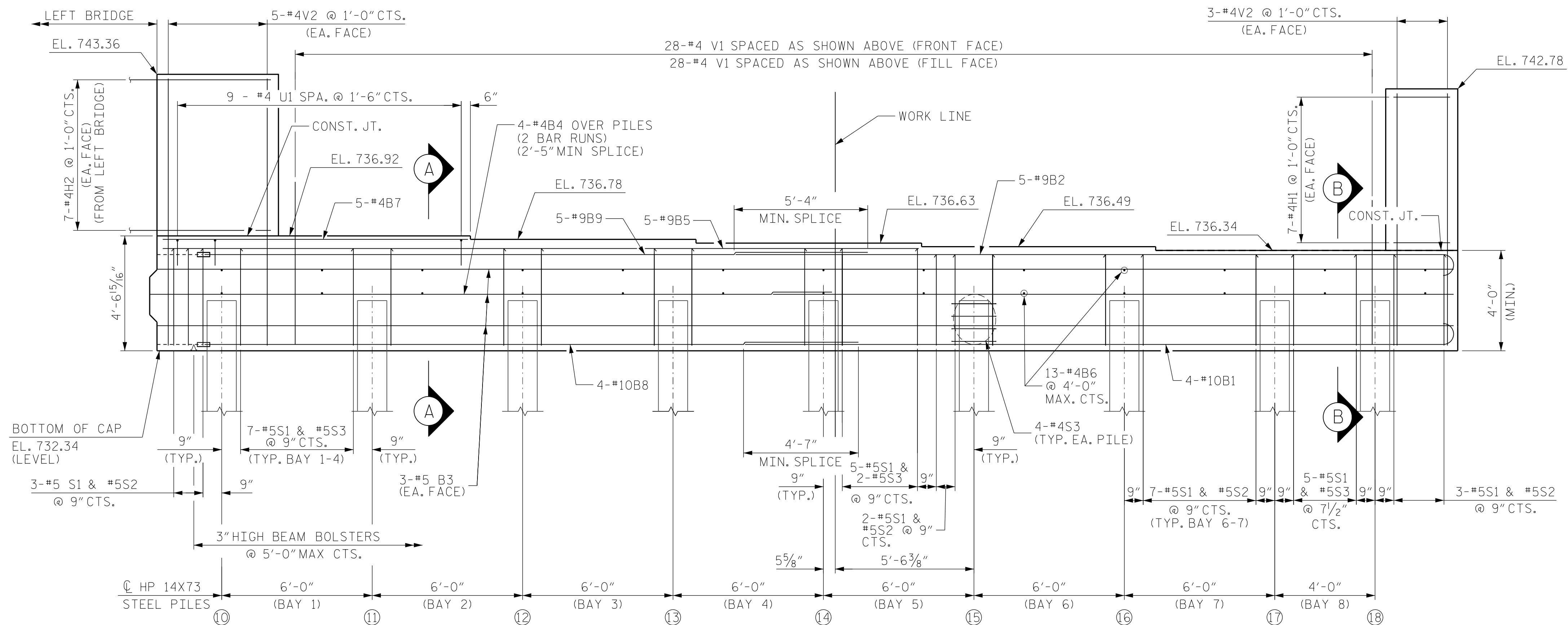


PLAN

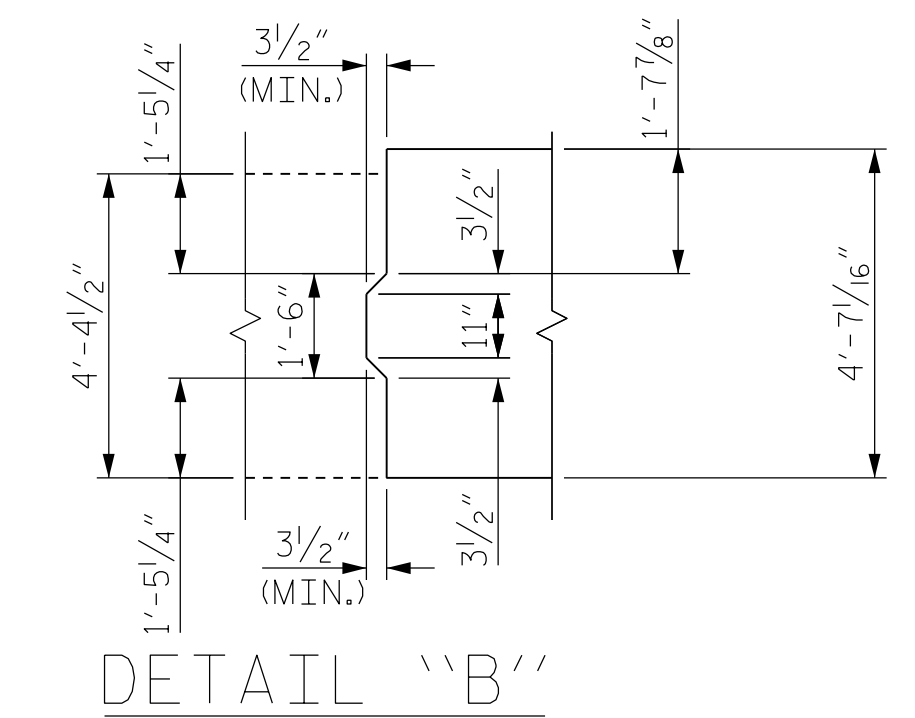
NOTES:
 FOR PILE SPLICE DETAILS, SEE END BENT 1 SHEET 2 OF 2.
 THE TOP SURFACE OF THE END BENT CAP AND WINGS (POUR 1), EXCLUDING THE BEARING AREA, SHALL BE RAKED TO A DEPTH OF 1/4\".



DETAIL "A"



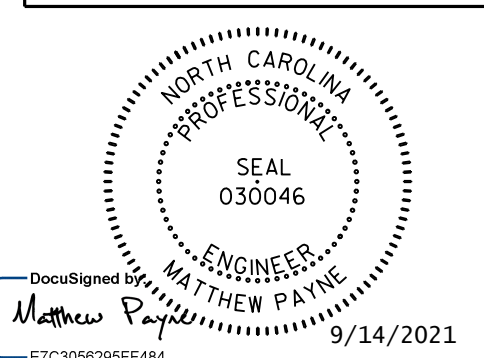
ELEVATION



DETAIL "B"

PROJECT NO. R-5737
 DAVIDSON COUNTY
 STATION: 61+02.86 -L-

Dewberry
 2610 WYCLIFF ROAD
 SUITE 410
 RALEIGH, NC 27607
 PHONE: 919.881.9939
 NC COA No. F-0929



STATE OF NORTH CAROLINA
 DEPARTMENT OF TRANSPORTATION
 RALEIGH
 SUBSTRUCTURE
 INTEGRAL
 END BENT 1
 (RIGHT BRIDGE)

DRAWN BY : JAE DATE : 8/21
 CHECKED BY : ZHB DATE : 8/21
 DESIGN ENGINEER OF RECORD: MTP DATE : 8/21

REVISIONS						SHEET NO. S2-17
NO.	BY:	DATE:	NO.	BY:	DATE:	
1			3			TOTAL SHEETS 25
2			4			

DOCUMENT NOT CONSIDERED
 FINAL UNLESS ALL
 SIGNATURES COMPLETED

*****SYSTEM TIME*****
 *****DCN*****
 *****USER NAME*****