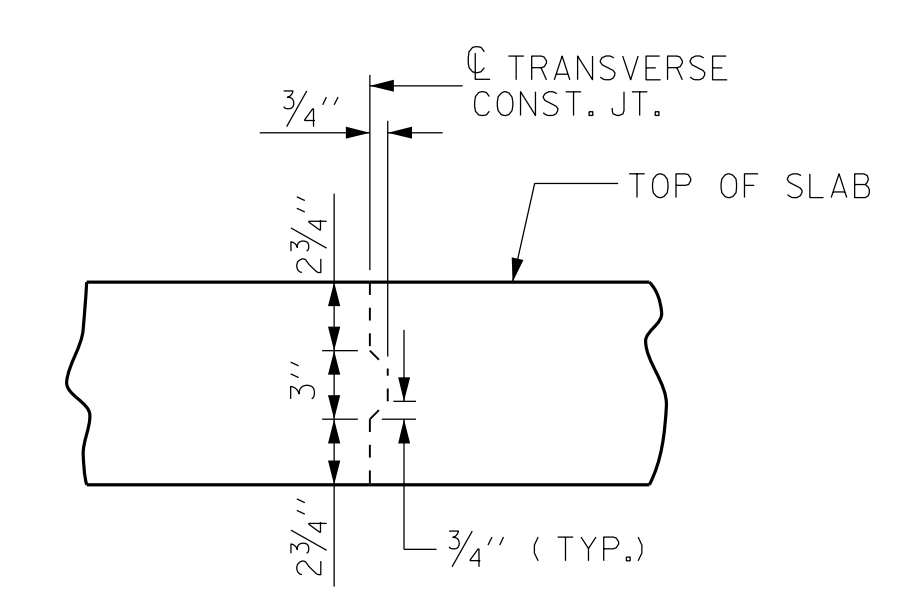


TOP REINFORCING STEEL LAYOUT  
SHOWING "B" BARS IN TOP OF SLAB



TRANSVERSE CONSTRUCTION JOINT DETAIL

NOTE: REINFORCING STEEL IN SLAB NOT SHOWN. LONGITUDINAL REINFORCING STEEL SHALL BE CONTINUOUS THRU JOINT

PROJECT NO. R-5737  
DAVIDSON COUNTY  
STATION: 61+02.86 -L-

**Dewberry**  
2610 WYCLIFF ROAD  
SUITE 410  
RALEIGH, NC 27607  
PHONE: 919.881.9939  
NC COA No. F-0929

NORTH CAROLINA PROFESSIONAL ENGINEER  
SEAL 030046  
MATTHEW PAYNE  
9/14/2021

STATE OF NORTH CAROLINA  
DEPARTMENT OF TRANSPORTATION  
RALEIGH  
SUPERSTRUCTURE  
PLAN OF SPAN A  
(RIGHT BRIDGE)

DRAWN BY : JAE DATE : 8/21  
CHECKED BY : ZHB DATE : 8/21  
DESIGN ENGINEER OF RECORD: MTP DATE : 8/21

DOCUMENT NOT CONSIDERED FINAL UNLESS ALL SIGNATURES COMPLETED

REVISIONS						SHEET NO.
NO.	BY:	DATE:	NO.	BY:	DATE:	S2-8
1			3			TOTAL SHEETS
2			4			25

\*\*\*\*\*SYSTEM TIME\*\*\*\*\*  
\*\*\*\*\*DCN\*\*\*\*\*  
\*\*\*\*\*USERNAME\*\*\*\*\*