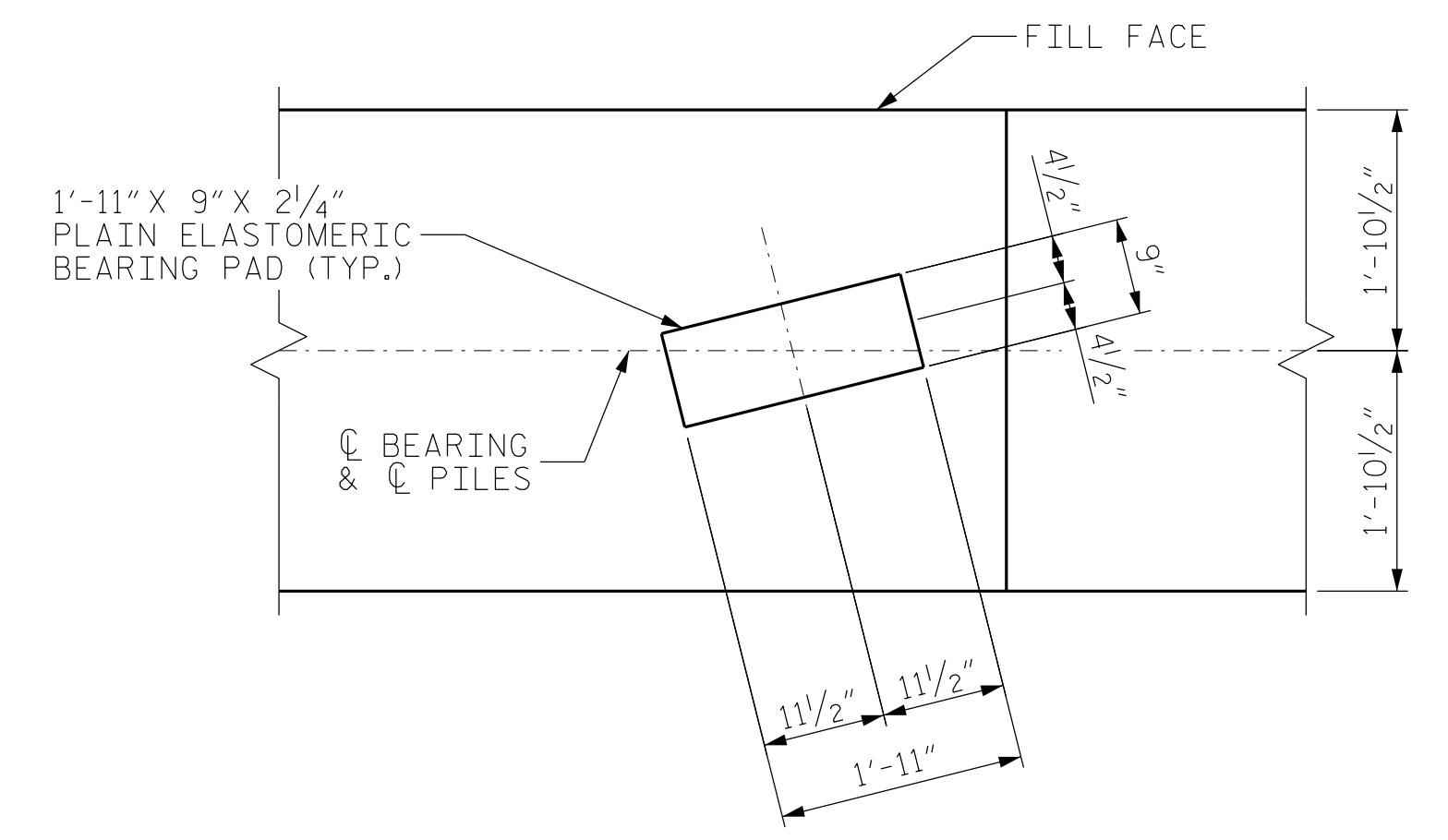
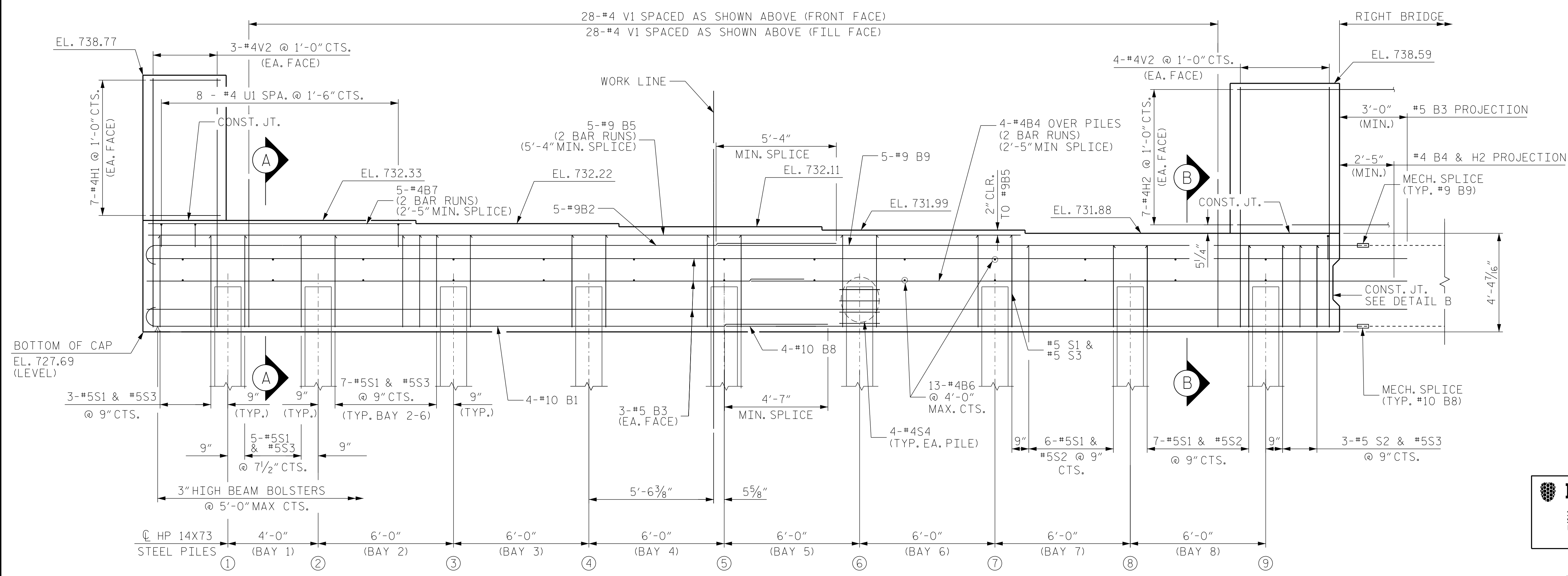


PLAN

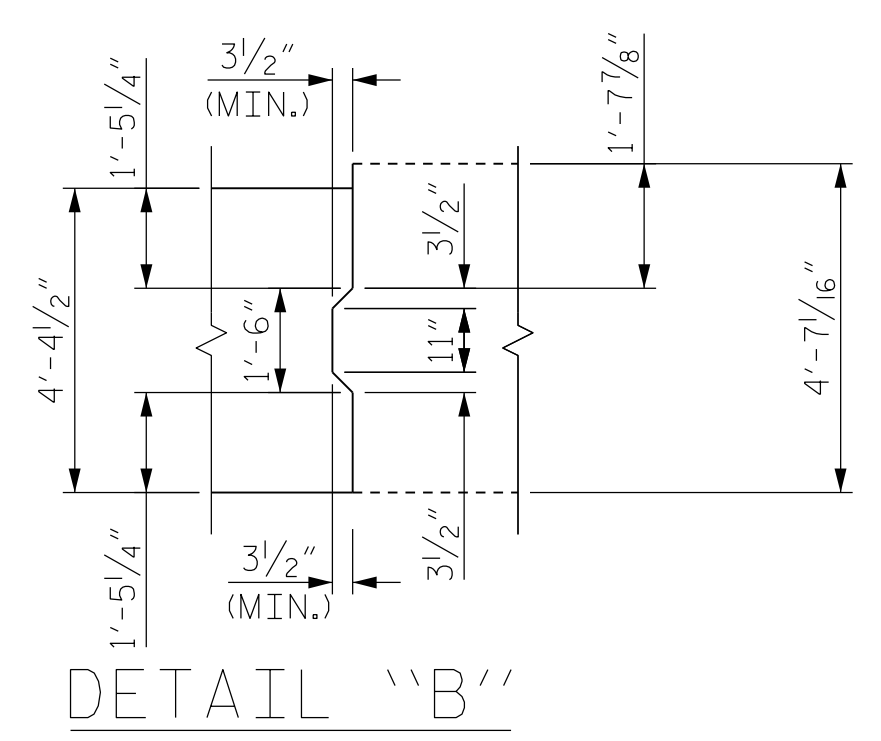
NOTES:
 FOR PILE SPLICE DETAILS, SEE END BENT 2 SHEET 2 OF 2.
 THE TOP SURFACE OF THE END BENT CAP AND WINGS (POUR 1), EXCLUDING THE BEARING AREA, SHALL BE RAKED TO A DEPTH OF 1/4".



DETAIL "A"



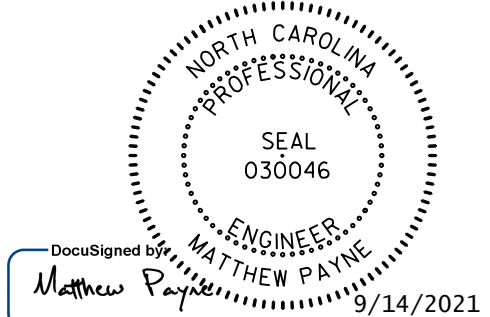
ELEVATION



DETAIL "B"

PROJECT NO. R-5737
 DAVIDSON COUNTY
 STATION: 61+02.86 -L-

Dewberry
 2610 WYCLIFF ROAD
 SUITE 410
 RALEIGH, NC 27607
 PHONE: 919.881.9939
 NC COA No. F-0929



STATE OF NORTH CAROLINA
 DEPARTMENT OF TRANSPORTATION
 RALEIGH

SUBSTRUCTURE
 INTEGRAL
 END BENT 2
 (LEFT BRIDGE)

DRAWN BY: JAE DATE: 8/21
 CHECKED BY: ZHB DATE: 8/21
 DESIGN ENGINEER OF RECORD: MTP DATE: 8/21

DOCUMENT NOT CONSIDERED
 FINAL UNLESS ALL
 SIGNATURES COMPLETED

REVISIONS						SHEET NO. S1-21
NO.	BY:	DATE:	NO.	BY:	DATE:	
1			3			TOTAL SHEETS 25
2			4			

*****SYSTEM*****
 *****DCN*****
 *****USERNAME*****