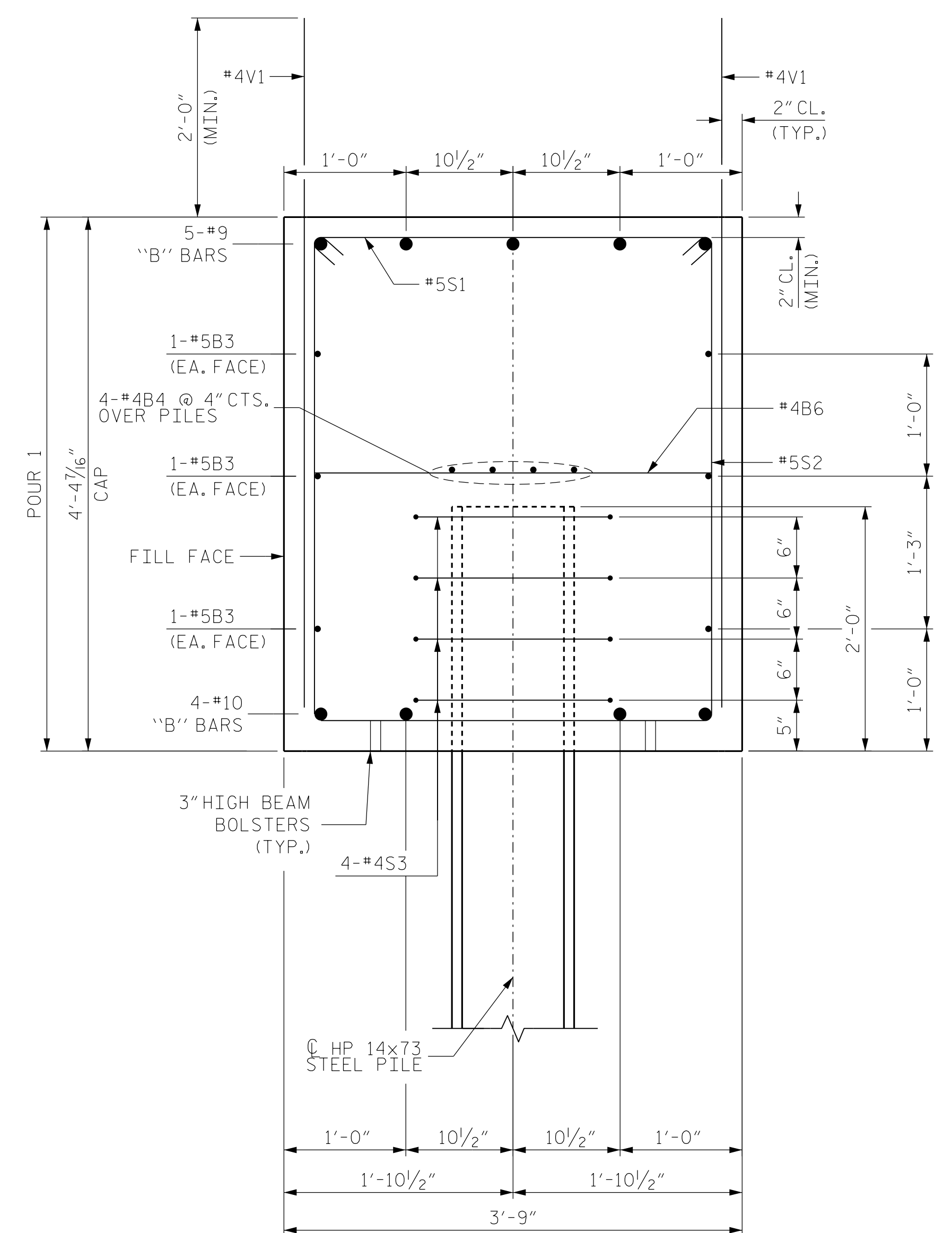
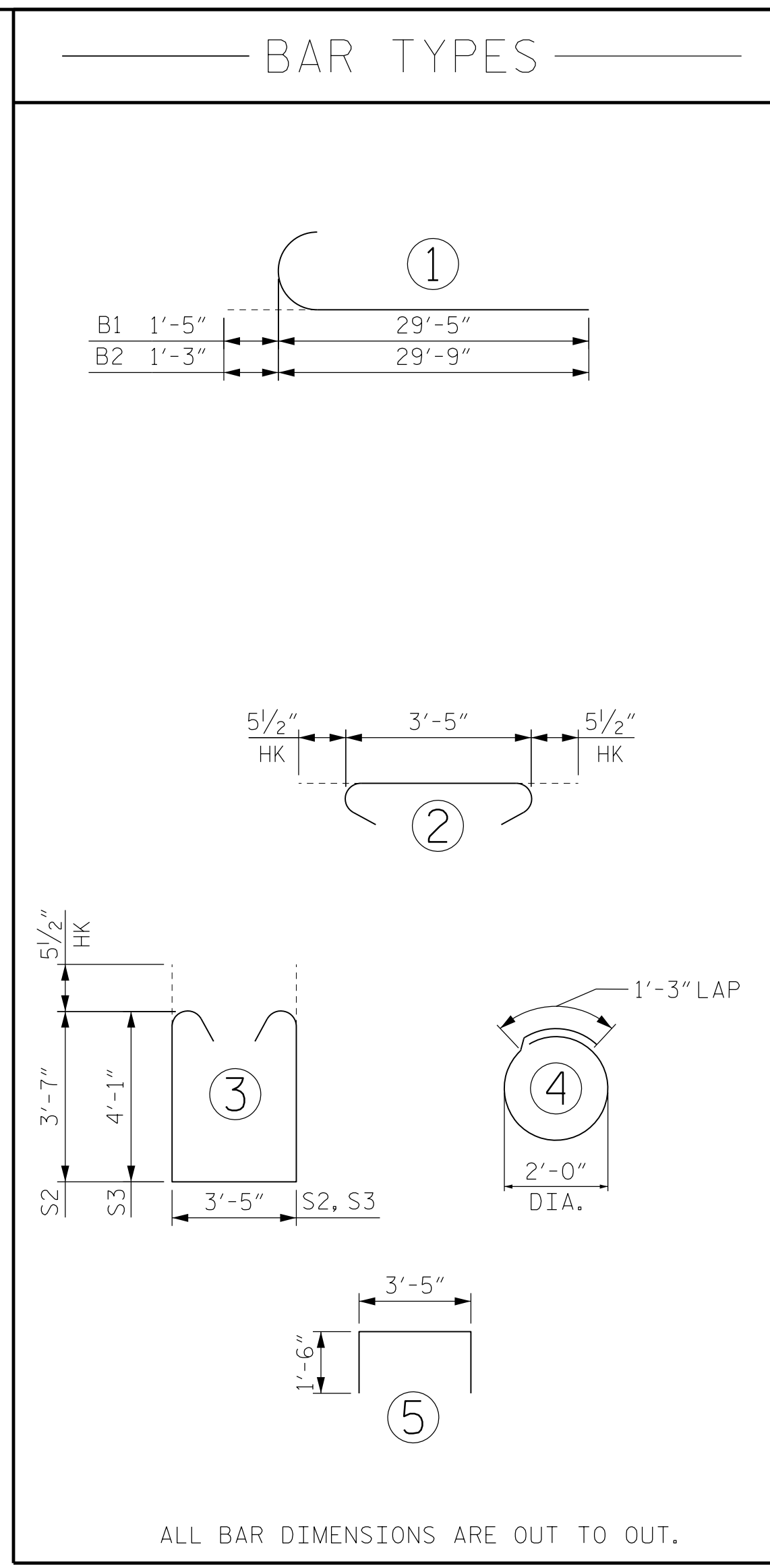


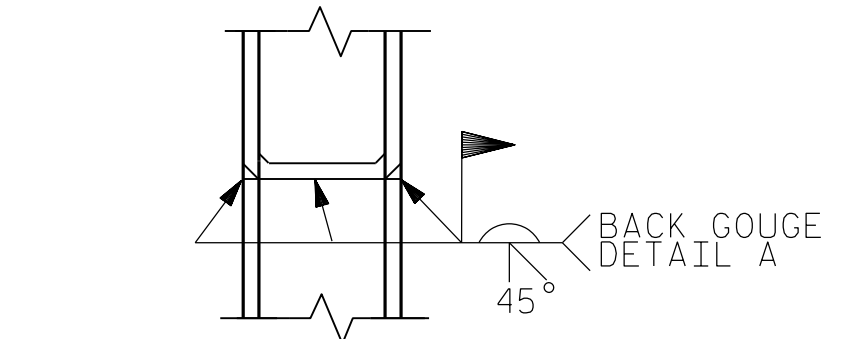
SECTION A-A



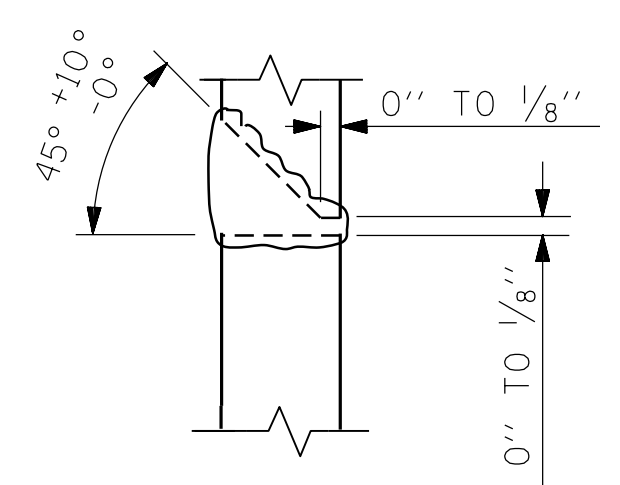
SECTION B-B



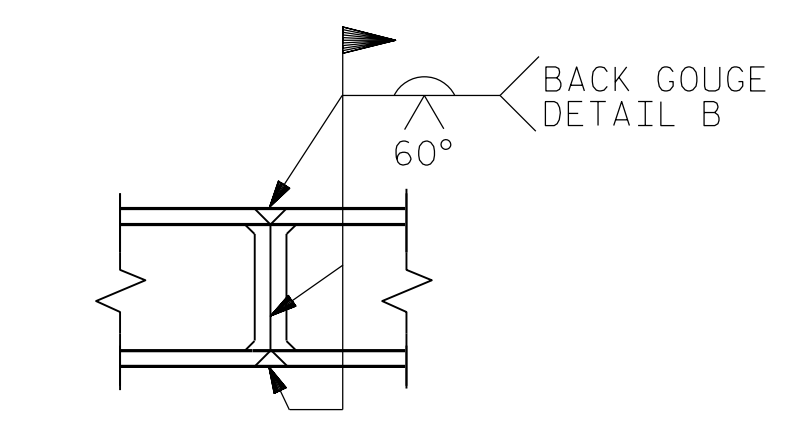
BILL OF MATERIAL					
END BENT 1					
BAR	NO.	SIZE	TYPE	LENGTH	WEIGHT
B1	4	#10	1	30'-10"	531
B2	5	#9	1	31'-0"	527
B3	6	#5	STR	55'-4"	346
B4	8	#4	STR	29'-1"	155
B5	10	#9	STR	21'-9"	649
B6	26	#4	STR	3'-5"	59
B7	10	#4	STR	7'-1"	47
B8	4	#10	STR	29'-5"	506
B9	5	#9	STR	29'-9"	506
H1	14	#4	STR	2'-5"	23
H2	14	#4	STR	8'-2"	76
S1	60	#5	2	4'-4"	271
S2	17	#5	3	11'-6"	204
S3	43	#5	3	12'-6"	561
U1	8	#4	5	6'-5"	34
V1	56	#4	STR	6'-11"	259
V2	14	#4	STR	10'-8"	100
TOTAL REINFORCING STEEL					4854 LBS.
CLASS "A" CONCRETE - CU. YARDS					
POUR 1 (CAP & LOWER WINGS)					33.7 CU. YDS.
POUR 2 (UPPER WINGS)					1.8 CU. YDS.
TOTAL					35.5 CU. YDS.
PILE DRIVING EQUIPMENT SETUP FOR HP 14 X 73 STEEL PILES - EACH					9
HP 14 X 73 STEEL PILES					234
9 PILES REQUIRED - LIN. FEET					234



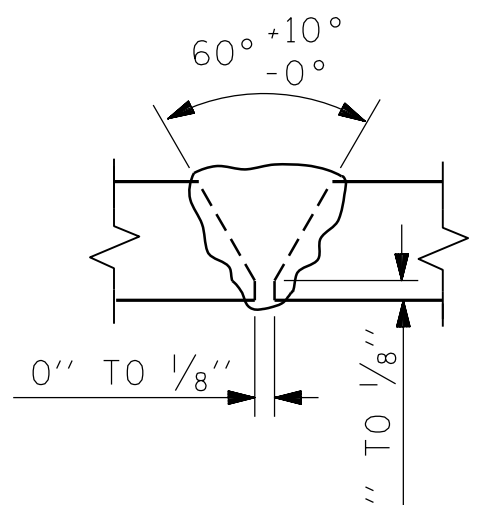
PILE VERTICAL



DETAIL A

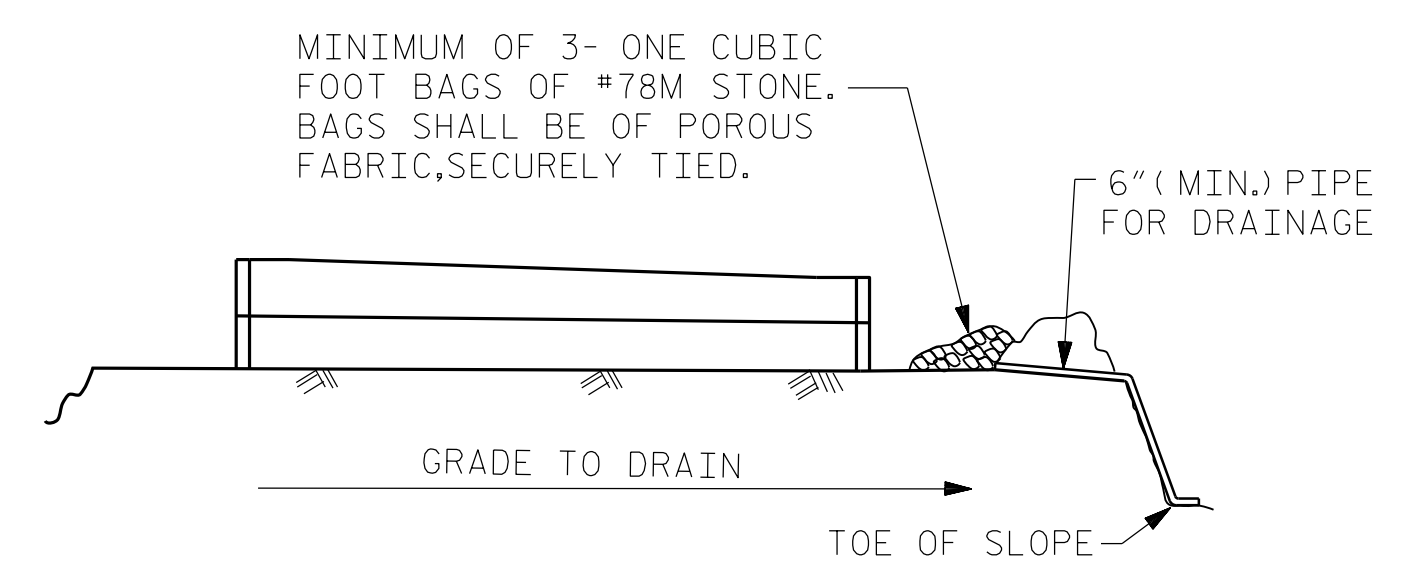


PILE HORIZONTAL OR VERTICAL



DETAIL B

PILE SPLICE DETAILS



BAGGED STONE AND PIPE SHALL BE PLACED IMMEDIATELY AFTER COMPLETION OF END BENT EXCAVATION, PIPE MAY BE EITHER CONCRETE, CORRUGATED STEEL, CORRUGATED ALUMINUM ALLOY, OR CORRUGATED PLASTIC. PERFORATED PIPE WILL NOT BE ALLOWED.

BAGGED STONE SHALL REMAIN IN PLACE UNTIL THE ENGINEER DIRECTS THAT IT BE REMOVED. THE CONTRACTOR SHALL REMOVE AND DISPOSE OF SILT ACCUMULATIONS AT BAGGED STONE WHEN SO DIRECTED BY THE ENGINEER. BAGS SHALL BE REMOVED AND REPLACED WHENEVER THE ENGINEER DETERMINES THAT THEY HAVE DETERIORATED AND LOST THEIR EFFECTIVENESS.

NO SEPARATE PAYMENT WILL BE MADE FOR THIS WORK AND THE ENTIRE COST OF THIS WORK SHALL BE INCLUDED IN THE UNIT CONTRACT PRICE FOR THE SEVERAL PAY ITEMS.

TEMPORARY DRAINAGE END BENT

PROJECT NO. R-5737
 DAVIDSON COUNTY
 STATION: 61+02.86 -L-

Dewberry
 2610 WYCLIFF ROAD
 SUITE 410
 RALEIGH, NC 27607
 PHONE: 919.881.9939
 NC COA No. F-0929

NORTH CAROLINA PROFESSIONAL ENGINEER
 SEAL 030046
 ENGINEER MATTHEW PAYNE
 9/14/2021

STATE OF NORTH CAROLINA
 DEPARTMENT OF TRANSPORTATION
 RALEIGH
 SUBSTRUCTURE
 INTEGRAL END BENT 1
 (LEFT BRIDGE)

REVISIONS						SHEET NO.
NO.	BY:	DATE:	NO.	BY:	DATE:	TOTAL SHEETS
1			3			25
2			4			

DOCUMENT NOT CONSIDERED FINAL UNLESS ALL SIGNATURES COMPLETED

DRAWN BY: JAE DATE: 8/21
 CHECKED BY: ZHB DATE: 8/21
 DESIGN ENGINEER OF RECORD: MTP DATE: 8/21

*****SYSTEM*****
 *****DCN*****
 *****USERNAME*****