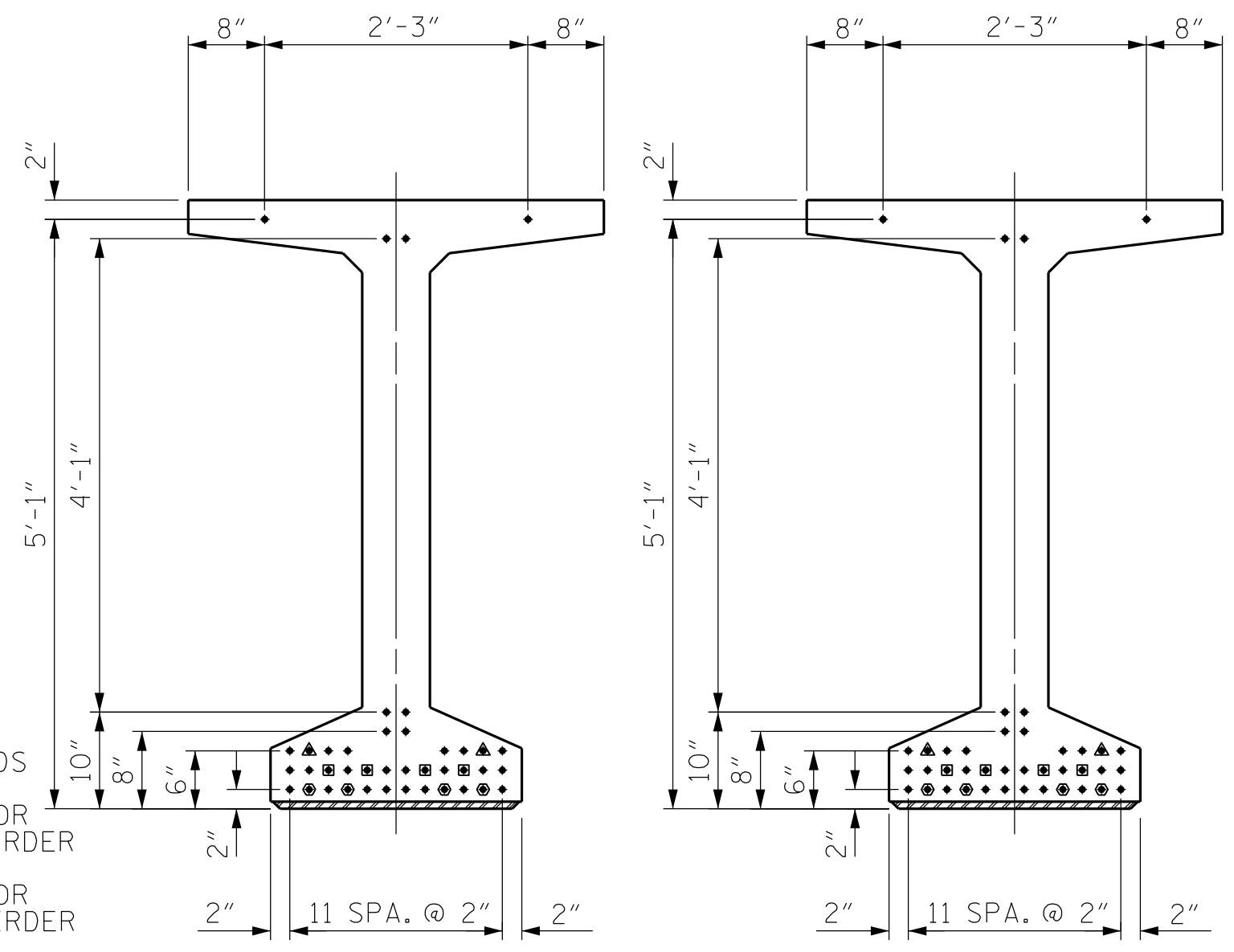


1 1/2" Ø FORMED HOLE. SEE ELEVATION FOR LOCATION. FOR DIM. "A", "B" & "C", SEE "INTERMEDIATE STEEL DIAPHRAGMS" SHEET.)

- DEBONDING LEGEND**
- FULLY BONDED STRANDS
 - ▲ STRANDS DEBONDED FOR 4'-0" FROM END OF GIRDER
 - STRANDS DEBONDED FOR 6'-0" FROM END OF GIRDER
 - ⦿ STRANDS DEBONDED FOR 12'-0" FROM END OF GIRDER

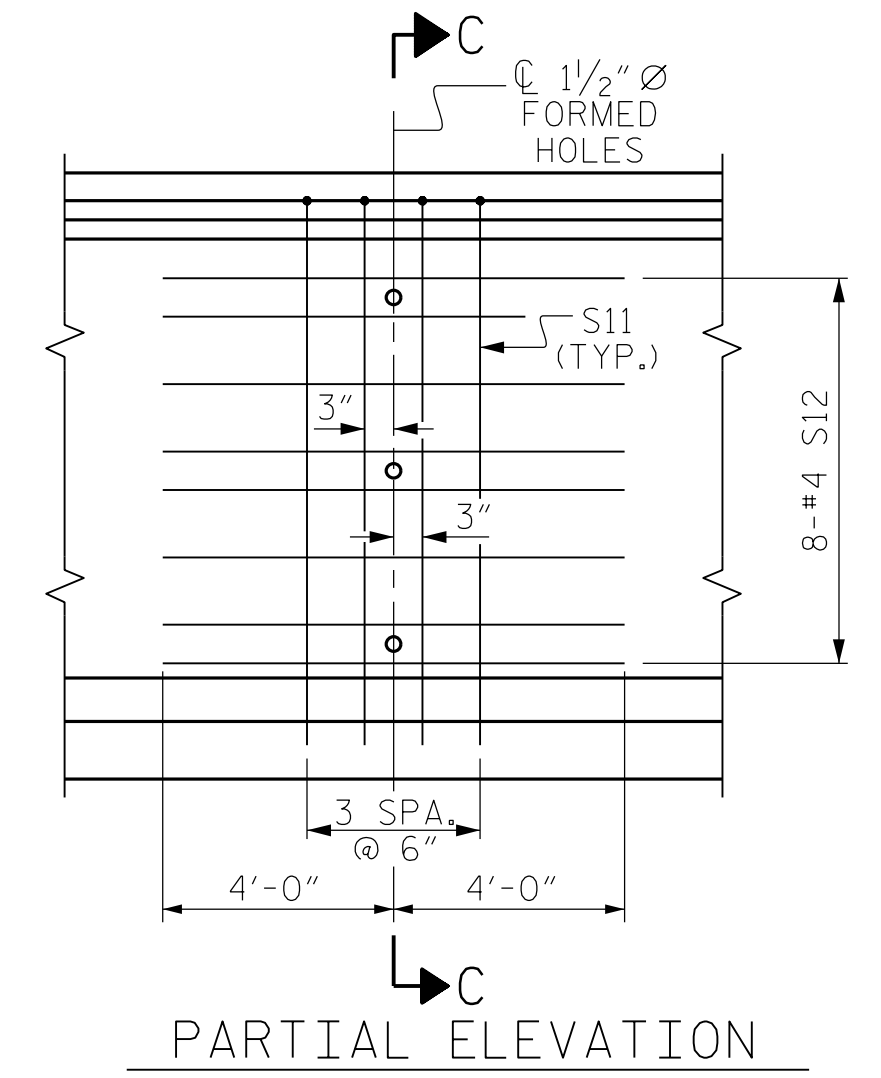
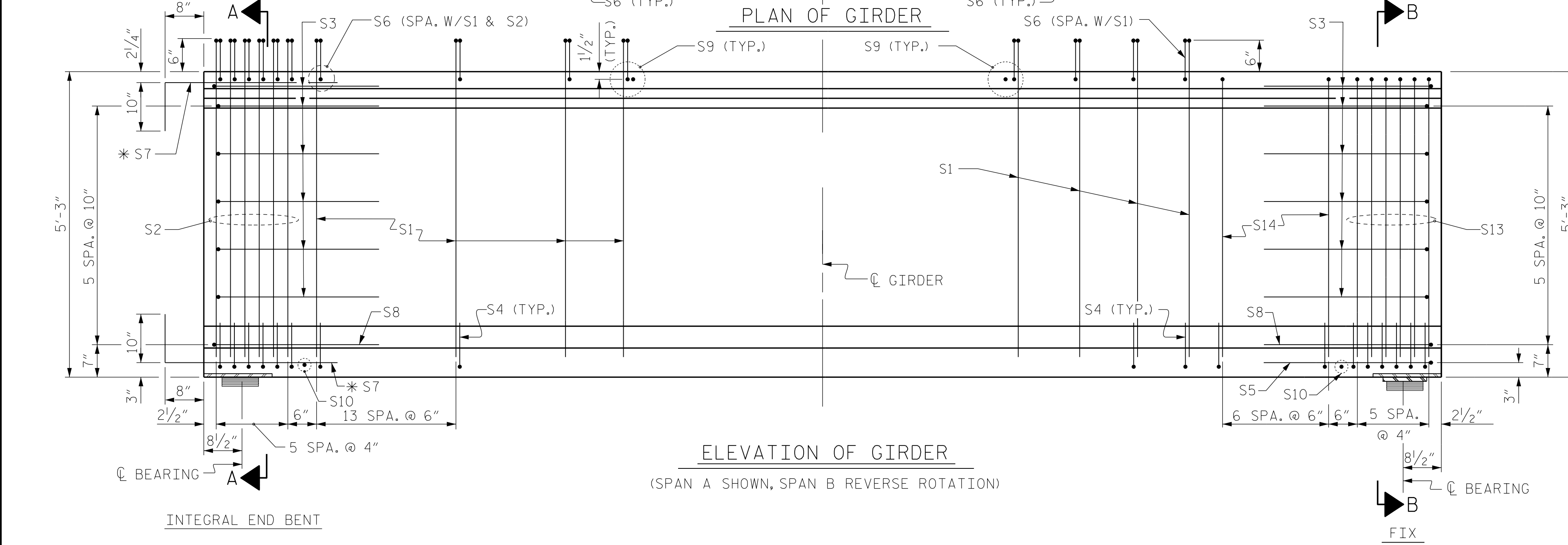
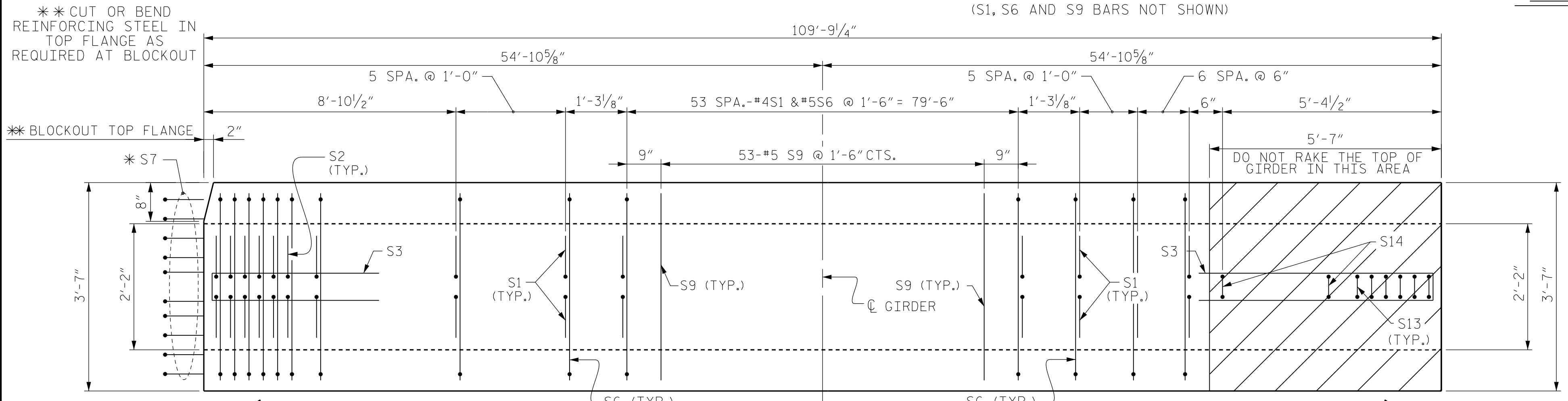
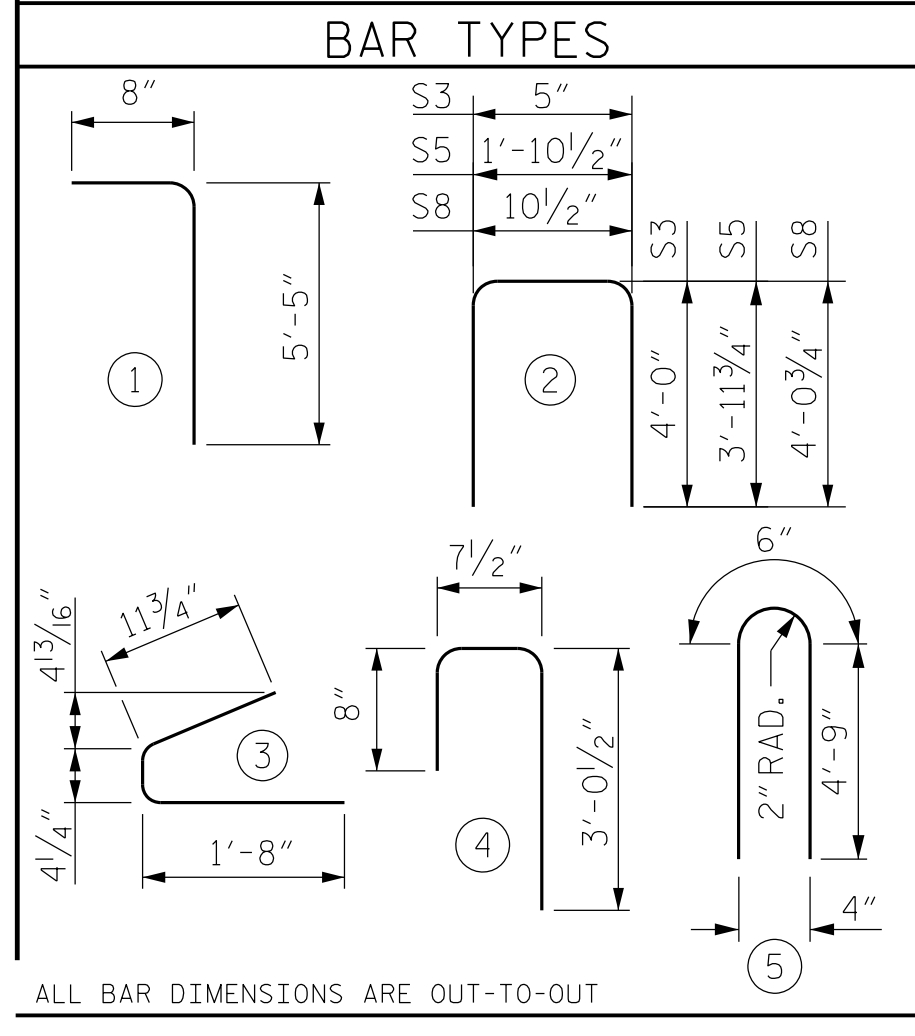


AT END OF GIRDER AT C OF GIRDER
0.6" Ø LOW RELAXATION STRAND LAYOUT

0.6" Ø L. R. GRADE 270 STRANDS		
AREA (SQUARE INCHES)	ULTIMATE STRENGTH (LBS. PER STRAND)	APPLIED PRESTRESS (LBS. PER STRAND)
0.217	58,600	43,950

REINFORCING STEEL FOR ONE GDR					
BAR	NUMBER	SIZE	TYPE	LENGTH	WEIGHT
S1	172	#4	1	6'-1"	699
S2	12	#5	1	6'-1"	76
S3	12	#4	2	8'-5"	67
S4	72	#4	3	3'-0"	144
S5	1	#5	2	9'-10"	10
S6	184	#5	4	4'-4"	832
*S7	20	#5	STR	3'-8"	76
S8	2	#5	2	9'-0"	19
S9	53	#5	STR	3'-3"	180
S10	2	#3	STR	1'-10"	1
S11	8	#5	5	10'-0"	83
S12	16	#4	STR	8'-0"	86
S13	6	#5	5	10'-0"	63
S14	7	#4	5	10'-0"	47

*NOTE: S7 BARS SHALL BE BENT BEFORE SHIPMENT. HEAT BENDING SHALL NOT BE ALLOWED.



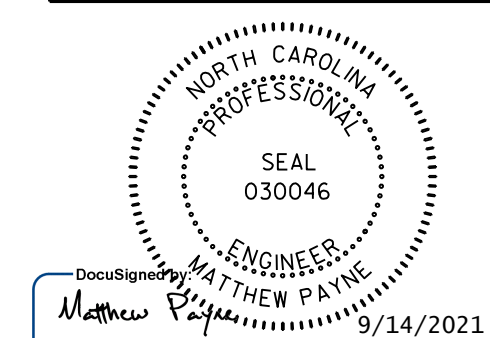
PARTIAL ELEVATION
SHOWING INTERMEDIATE STEEL DIAPHRAGM REINFORCING STEEL FOR ALL GIRDERS

QUANTITIES FOR ONE GIRDER			
	REINFORCING STEEL	9,000 PSI CONCRETE	0.6" Ø L.R. STRANDS
	LB.	C.Y.	No.
63" MBT GIRDER	2383	21.7	40

GIRDERS REQUIRED		
NUMBER	LENGTH	TOTAL LENGTH
10	109'-9 1/4"	1097'-8 1/2"

PROJECT NO. R-5737
DAVIDSON COUNTY
STATION: 61+02.86 -L-
SHEET 1 OF 3

Dewberry
2610 WYCLIFF ROAD
SUITE 410
RALEIGH, NC 27607
PHONE: 919.881.9939
NC COA No. F-0929



STATE OF NORTH CAROLINA
DEPARTMENT OF TRANSPORTATION
RALEIGH
STANDARD
63" PRESTRESSED CONCRETE
MODIFIED BULB TEE
CONTINUOUS FOR LIVE LOAD

ASSEMBLED BY : JAE	DATE : 8/21
CHECKED BY : ZHB	DATE : 8/21
DRAWN BY : EEM 2/6/97	REV. 6/13 MAA/GM
CHECKED BY : VAP 2/6/97	REV. 1/15 MAA/TMG
	REV. 12/17 MAA/THC

REVISIONS						SHEET NO. S1-11
NO.	BY:	DATE:	NO.	BY:	DATE:	
1			3			TOTAL SHEETS 25
2			4			

DOCUMENT NOT CONSIDERED FINAL UNLESS ALL SIGNATURES COMPLETED

*****SYTIME*****
*****DCN*****
*****USER*****