

DOCUMENT NOT CONSIDERED FINAL
UNLESS ALL SIGNATURES COMPLETED

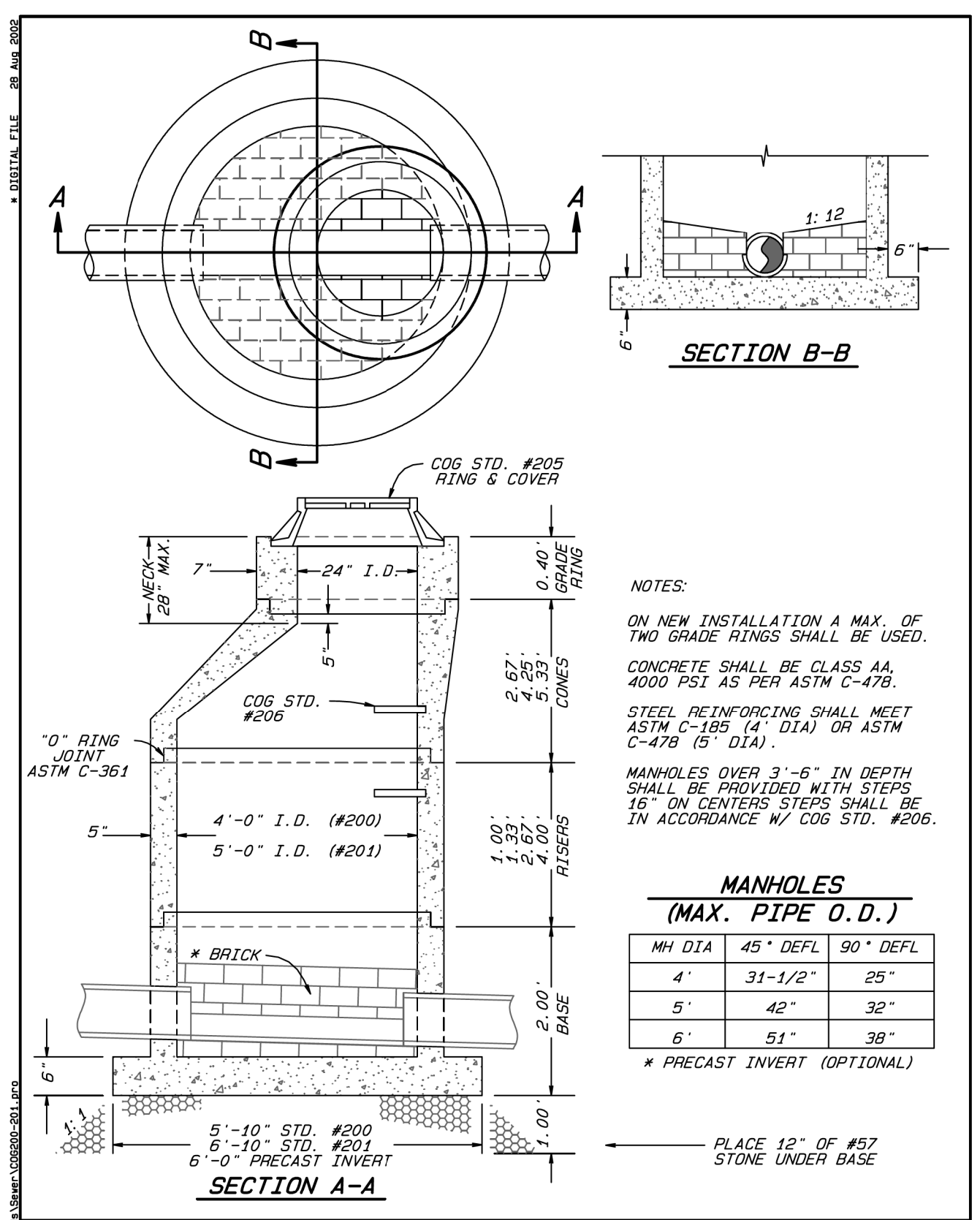


REGISTERED PROFESSIONAL ENGINEER
STATE OF NORTH CAROLINA
No. 17889
Exp. 12/31/2021

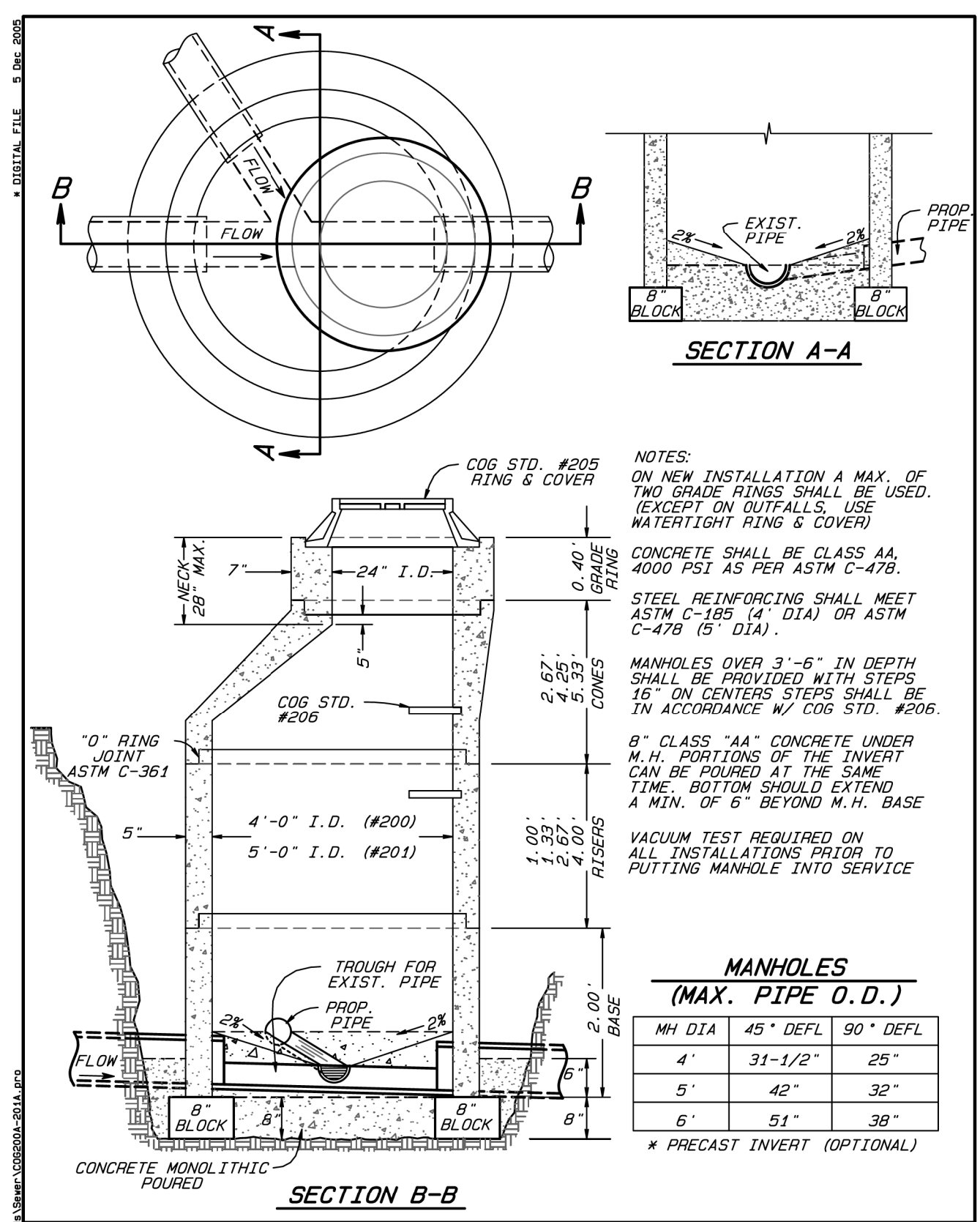
PROJECT REFERENCE NO.	SHEET NO.
R-5737	UC-4A
DESIGNED BY:	
DRAWN BY:	
CHECKED BY:	
APPROVED BY:	
REVISED:	7/20/2021
NORTH CAROLINA DEPARTMENT OF TRANSPORTATION	UTILITY CONSTRUCTION PLANS ONLY
UTILITIES ENGINEERING SEC. PHONE: (919) 707-6690 FAX: (919) 250-4151	

UTILITY CONSTRUCTION

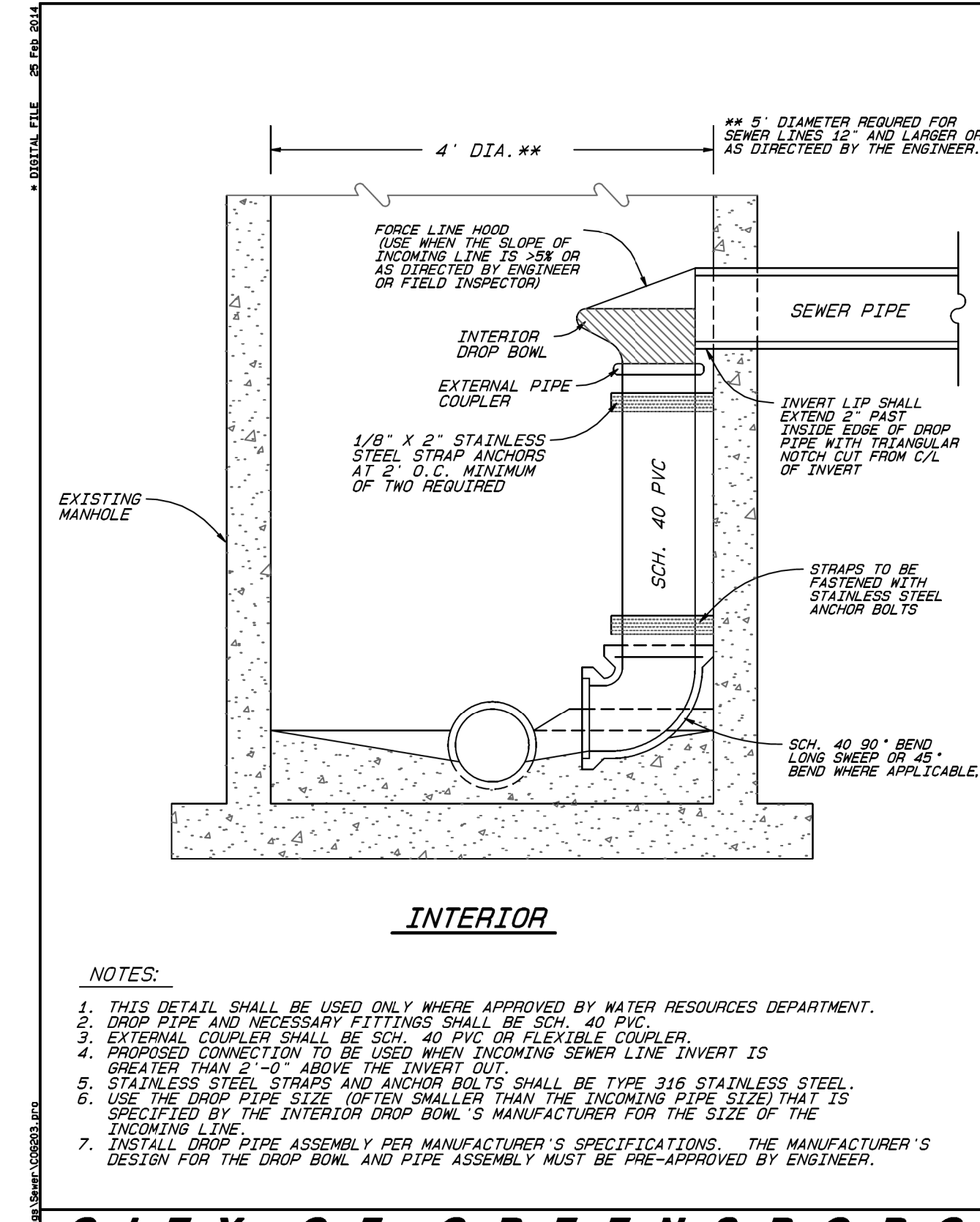
NOTE:
CITY OF THOMASVILLE USES CITY OF GREENSBORO UTILITY DETAILS AS THEIR STANDARDS.



CITY OF GREENSBORO
STANDARD 4' I.D. & 5' I.D. ECCENTRIC PRECAST CONCRETE SANITARY MANHOLE WITH EXPANDED BASE
STD. NO. 200
REV. 05-88 03-99
11-93 08-02
09-95

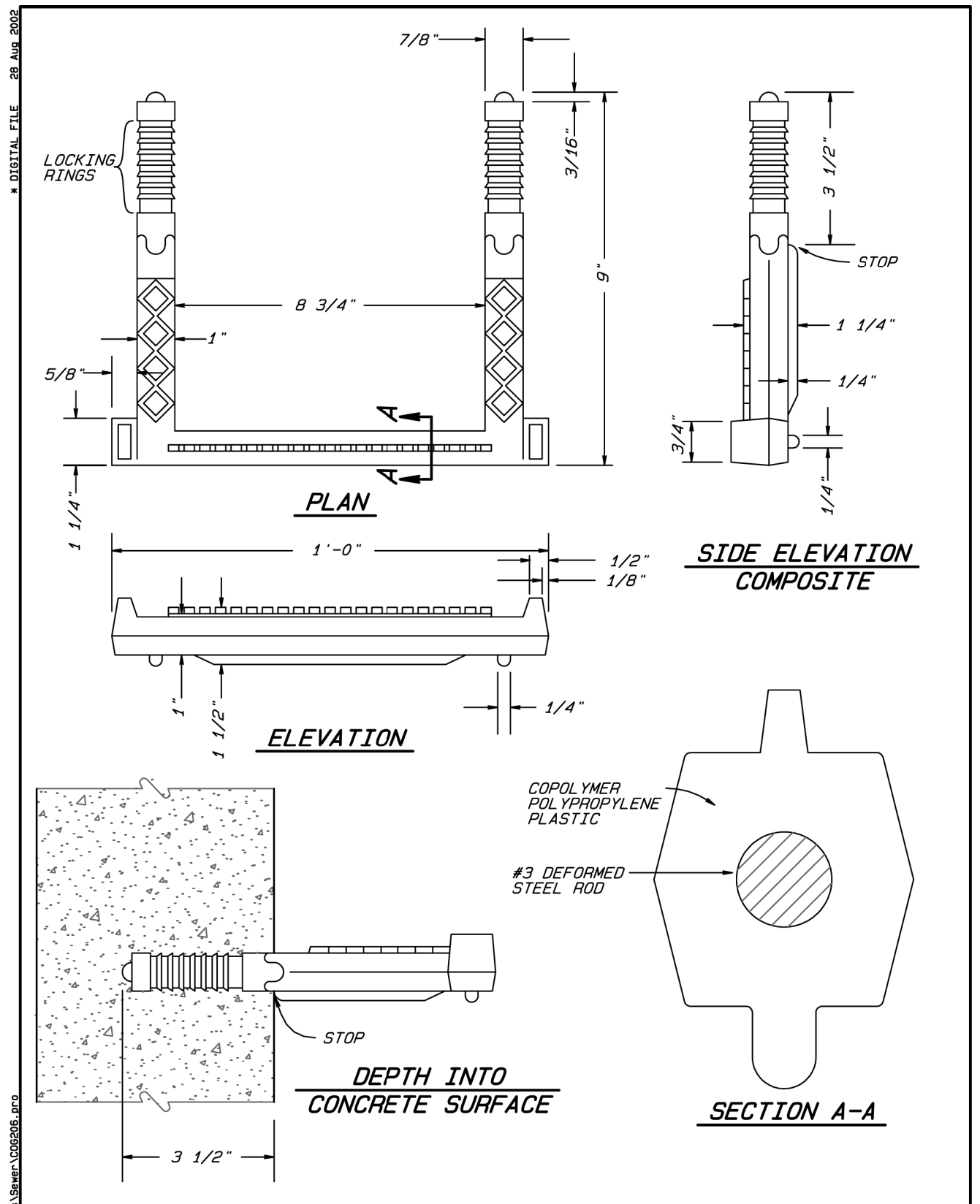


CITY OF GREENSBORO
STANDARD 4' I.D. & 5' I.D. ECCENTRIC PRECAST BOTTOMLESS MANHOLE OVER EXISTING SANITARY SEWER (DOGHOUSE MANHOLE)
STD. NO. 200A
REV. DEC-05

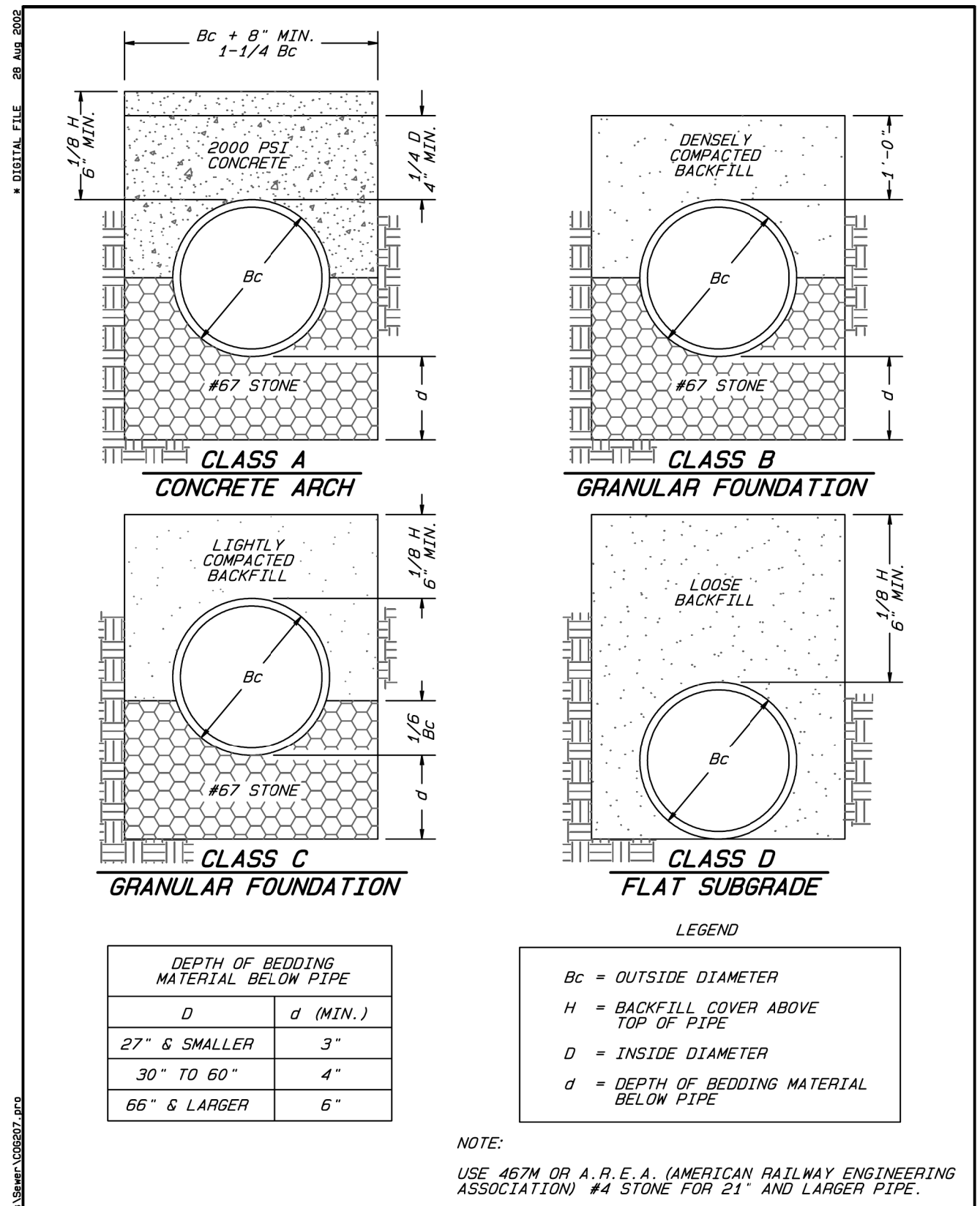


CITY OF GREENSBORO
DROP CONNECTION (INTERIOR) FOR EXISTING SANITARY SEWER MANHOLE
STD. NO. 203
REV. 06-03
03-14

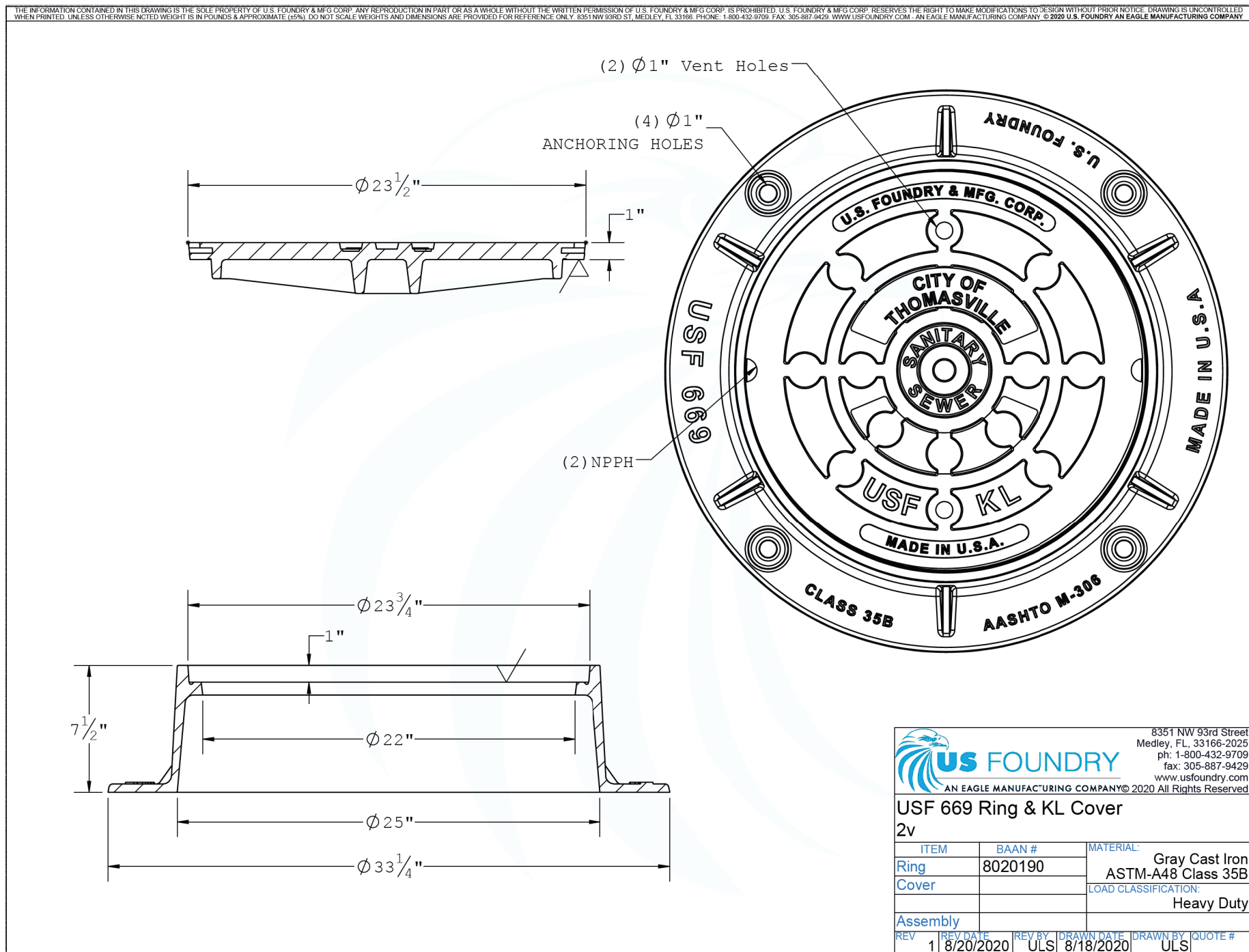
USE INSIDE DROP CONNECTION METHOD ON PROPOSED MANHOLE (MH2)



CITY OF GREENSBORO
STANDARD MANHOLE STEP FOR PRECAST CONCRETE MANHOLE
STD. NO. 206
REV.



CITY OF GREENSBORO
STANDARD TRENCH BEDDINGS FOR CIRCULAR PIPE
STD. NO. 207
REV. 03-97



US FOUNDRY
AN EAGLE MANUFACTURING COMPANY
USF 669 Ring & KL Cover
2V
REVISIONS: 1/8/2020, 8/18/2020

C:\Users\j2210924\Documents\Engineering\UC\Proj\280.001.R-5737_UT_RDY\01_UC01.TSH.dgn
 15-JUL-2021 09:41
 11-93 08-02
 09-95