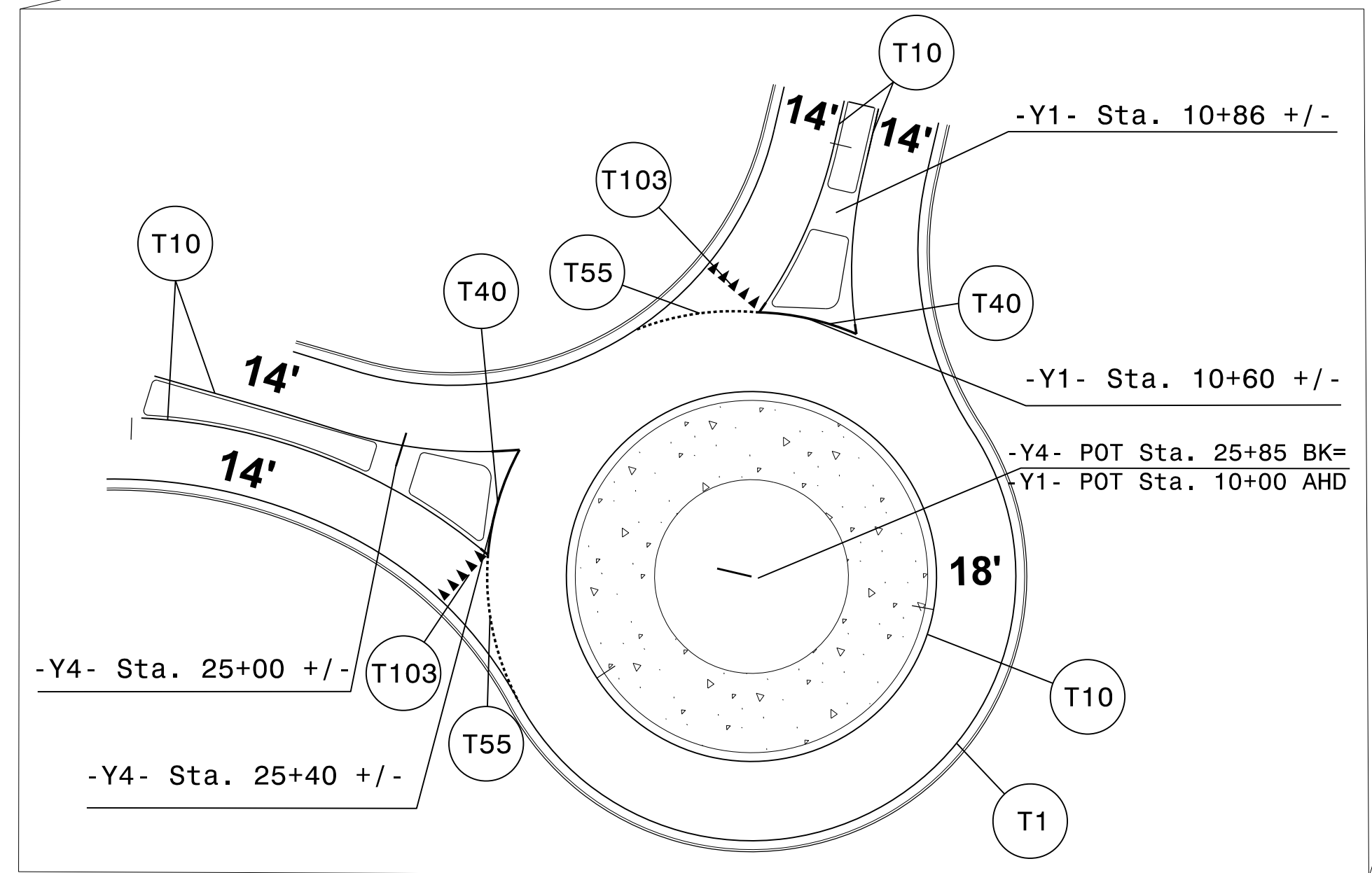


PAVEMENT MARKING SCHEDULE

PAVEMENT MARKING LINES					
T1	WHITE EDGELINE	THERMOPLASTIC (4")	T40	WHITE GORELINE	THERMOPLASTIC (8")
T10	YELLOW EDGELINE	THERMOPLASTIC (4")	T55	3' - 3' / SP WHITE MINISKIP	THERMOPLASTIC (12")
T13	YELLOW DOUBLE CENTER	THERMOPLASTIC (4")			
PAVEMENT MARKING SYMBOLS					
T103	YIELD LINE TRIANGLE	THERMOPLASTIC			



PAVEMENT MARKING DETAIL

invalid_expression
 \\P5737_PMP10.dgn
 USER: abeshears