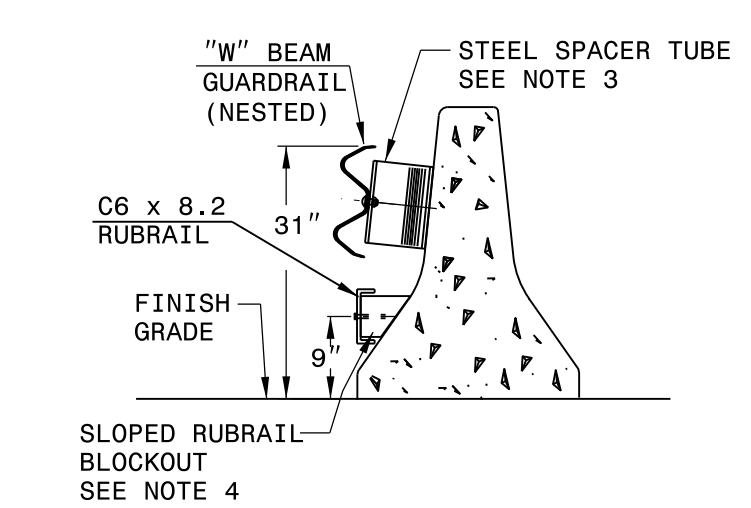
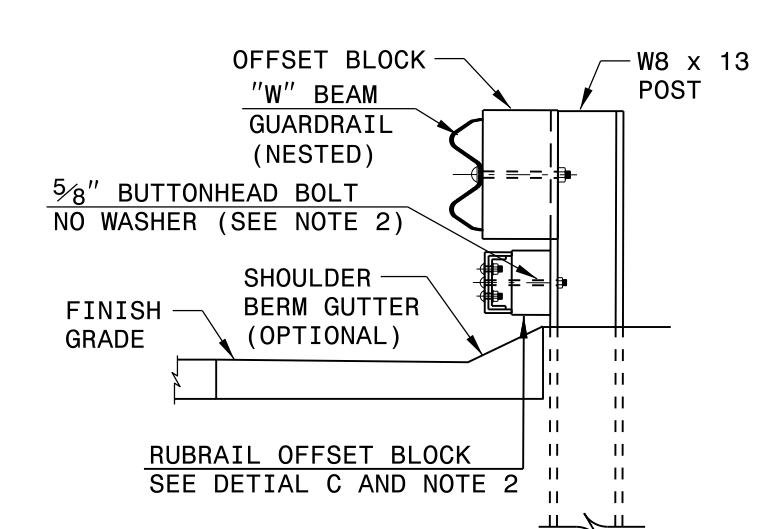


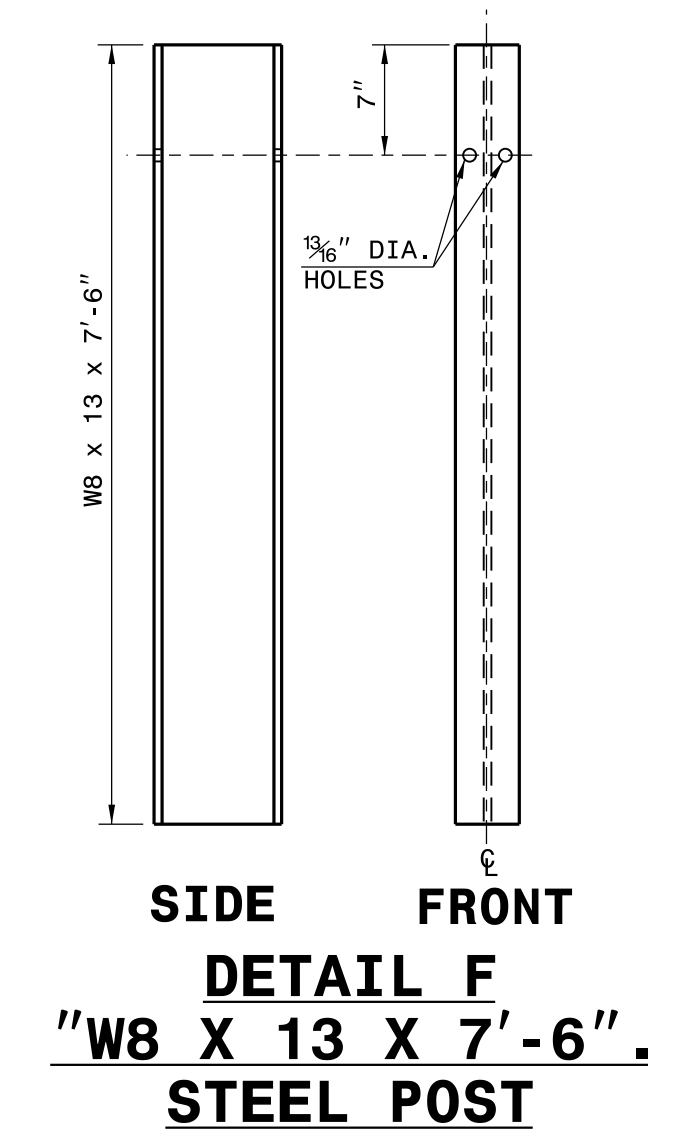
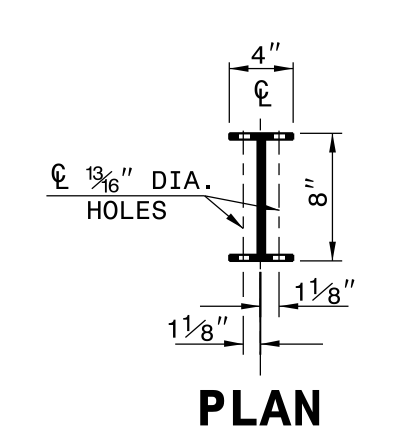
SECTION A-A



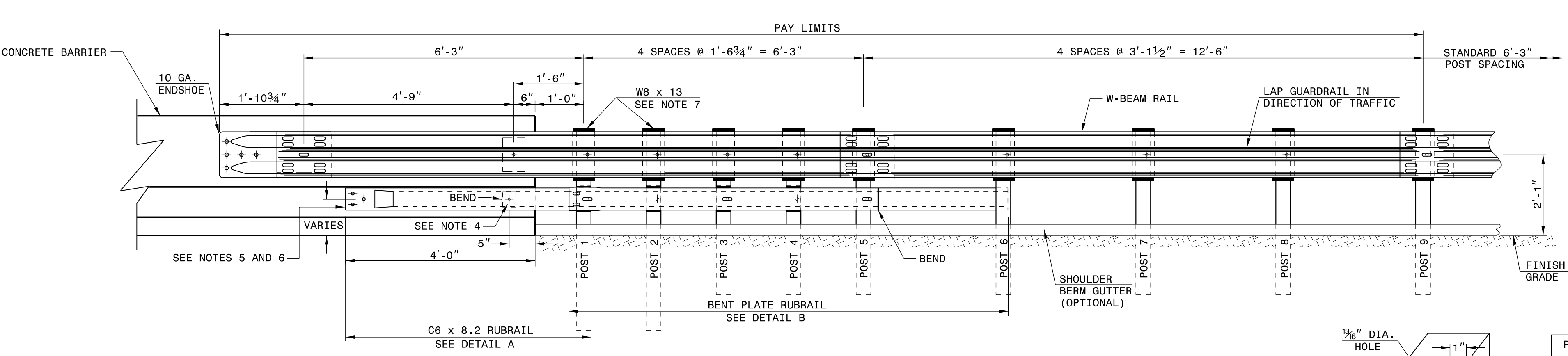
SECTION B-B



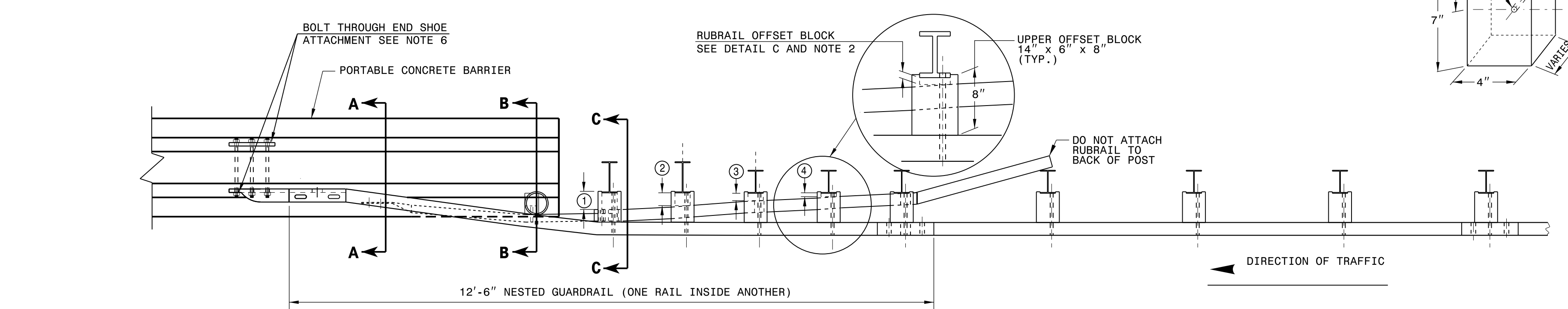
SECTION C-C



DETAIL F W8 X 13 X 7'-6\"/>

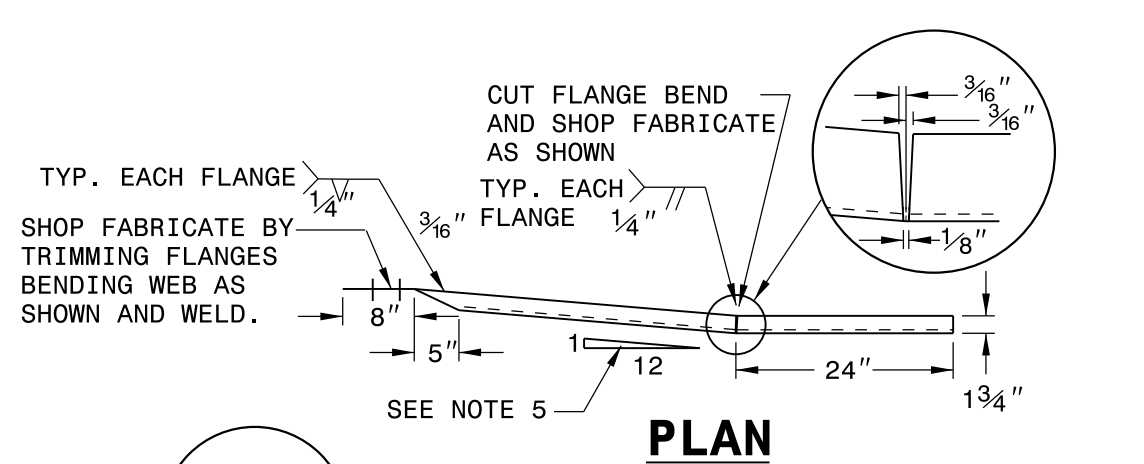


ELEVATION

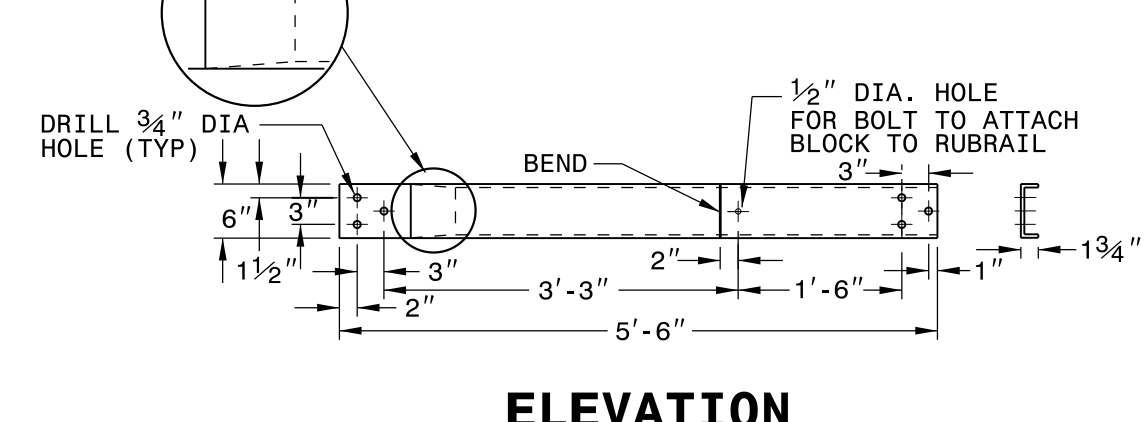


PLAN

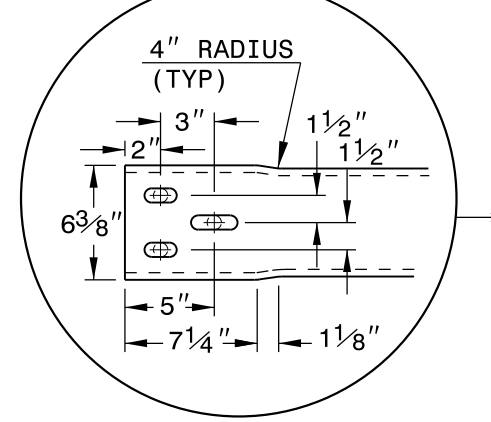
- GENERAL NOTES:
1) POSTS 1 THROUGH 5 REQUIRE AN ADDITIONAL HOLE TO ATTACH LOWER BLOCKOUTS AND/OR RUBRAIL.
2) RUBRAIL BLOCKOUTS LOCATED ON POSTS 1 THROUGH 4 ARE OFFSET DRILLED AND SECURED WITH 5/8\"/>



DETAIL A C6 x 8.2 RUBRAIL



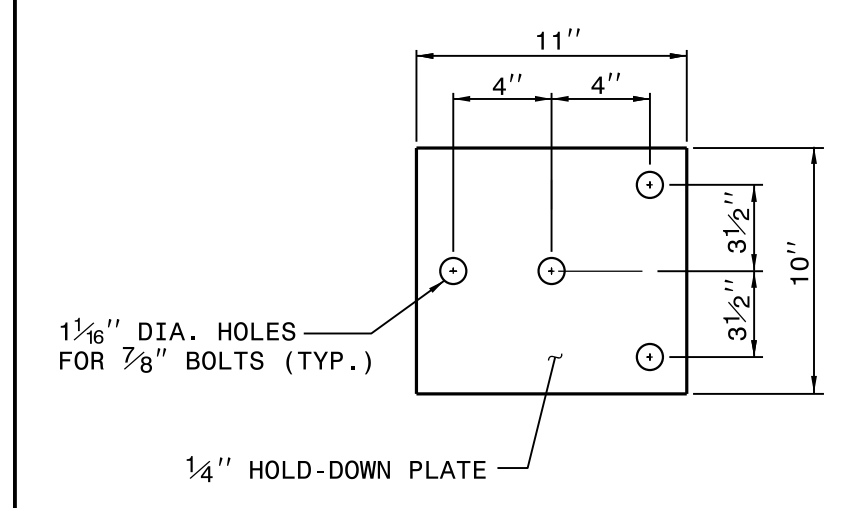
DETAIL B BENT PLATE RUBRAIL



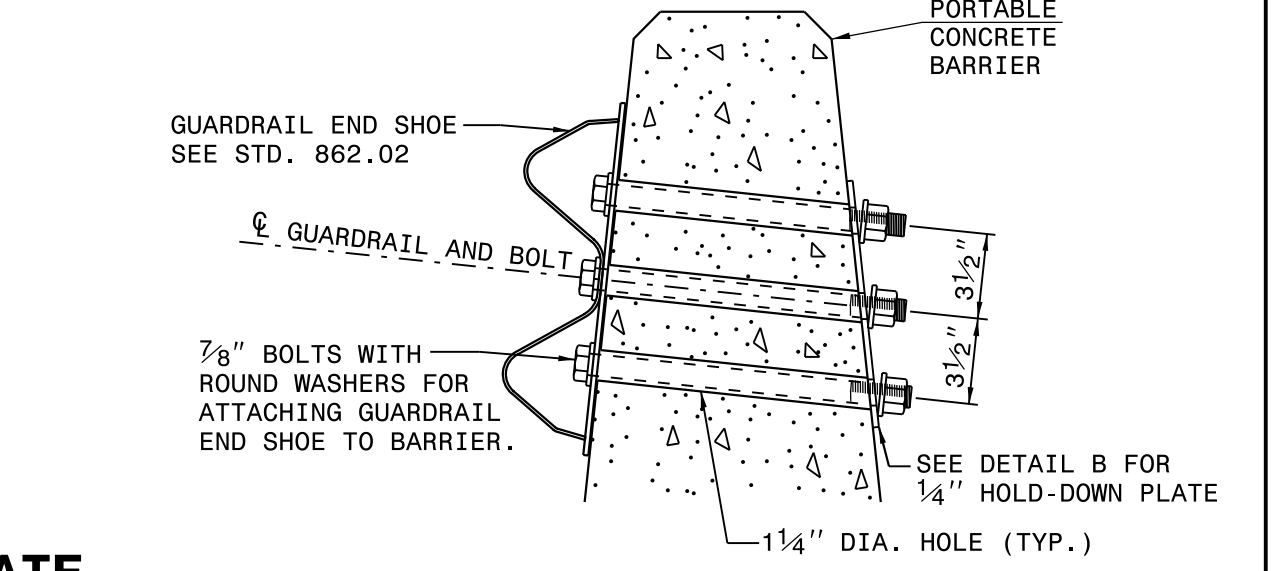
RUBRAIL BLOCKS 7\"/>

DETAIL C RUBRAIL BLOCKOUT

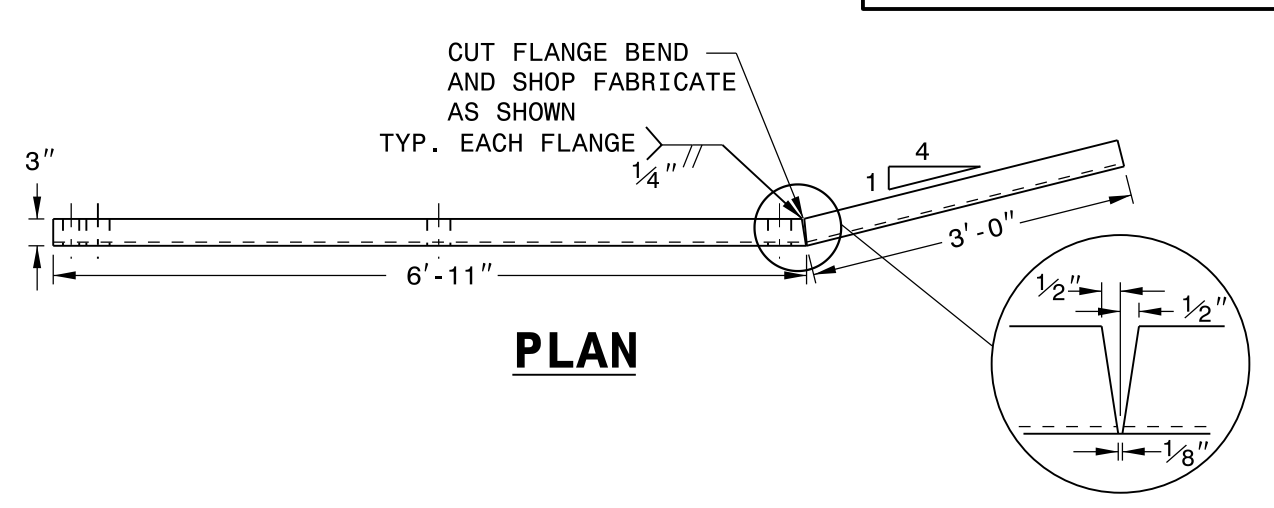
- NOTES FOR 4 BOLT HOLD DOWN PLATE
1) THE GUARDRAIL ANCHOR ASSEMBLY SHALL CONSIST OF A 1/4\"/>



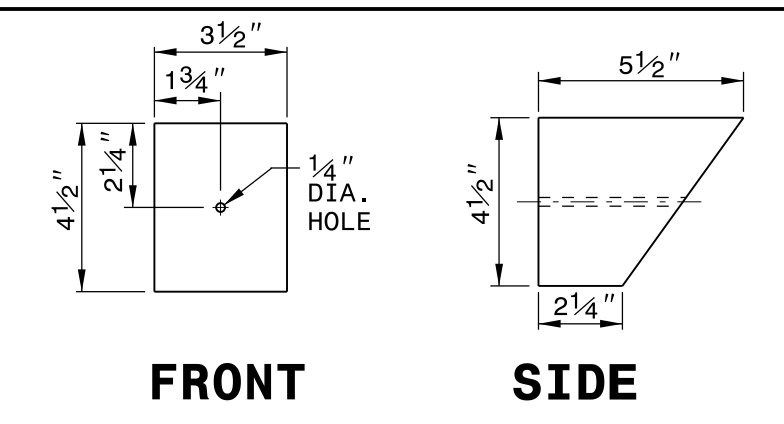
4 BOLT HOLD DOWN PLATE



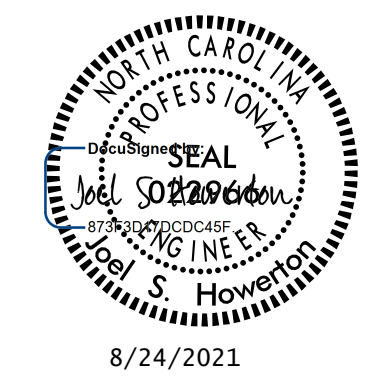
PART SECTION OF BARRIER OR RAIL THRU END SHOE SECTION AND 4 BOLT HOLD DOWN PLATE



DETAIL E LAG BOLT



DETAIL D SLOPED RUBRAIL BLOCKOUT



CONTRACT STANDARDS AND DEVELOPMENT UNIT
Office 919-707-6950 FAX 919-250-4119
TEMPORARY GUARDRAIL ANCHOR UNIT TYPE B-77
ORIGINAL BY: E.E. WARD DATE: 04-07-04
MODIFIED BY: J.S. Howerton DATE: 10-02-18
CHECKED BY: DATE:
FILE SPEC.:

DOCUMENT NOT CONSIDERED FINAL UNLESS ALL SIGNATURES COMPLETED

02-OCT-2018 14:39 S:\Contracts\Temporary Details\Howerton\Temporary B-77 to PCB.dgn Jhowerton AT CSD-292595