

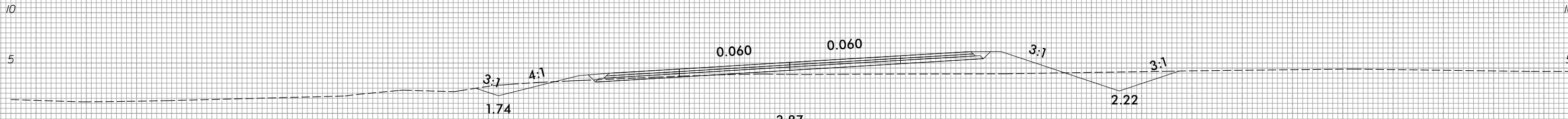
6/23/16



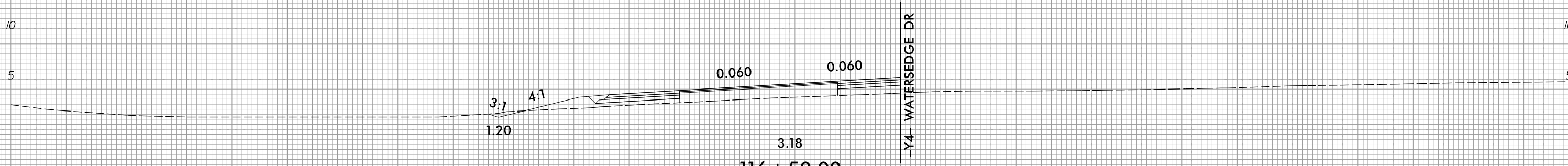
PROJ. REFERENCE NO.  
R-5014

SHEET NO.  
X-52

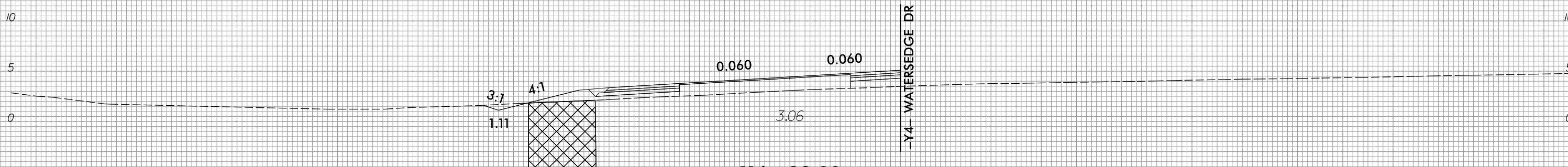
75 70 65 60 55 50 45 40 35 30 25 20 15 10 5 0 5 10 15 20 25 30 35 40 45 50 55 60 65 70 75



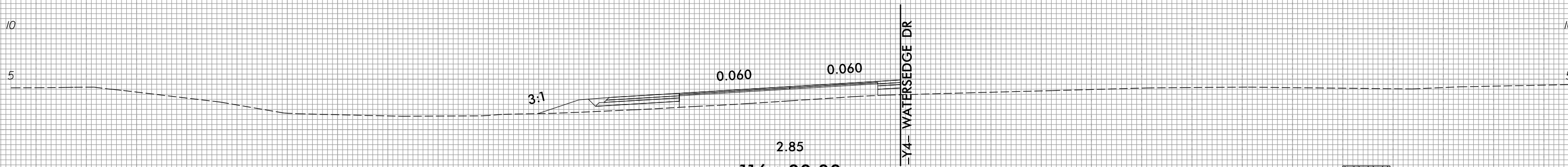
3.87  
117 + 00.00



3.18  
116 + 50.00



3.06  
116 + 38.00



2.85  
116 + 00.00

-LA-



10/31/2018  
R:\Roadway\Corridor-Modeling\RS014\_Rdy\_XPL.dgn  
6/23/16