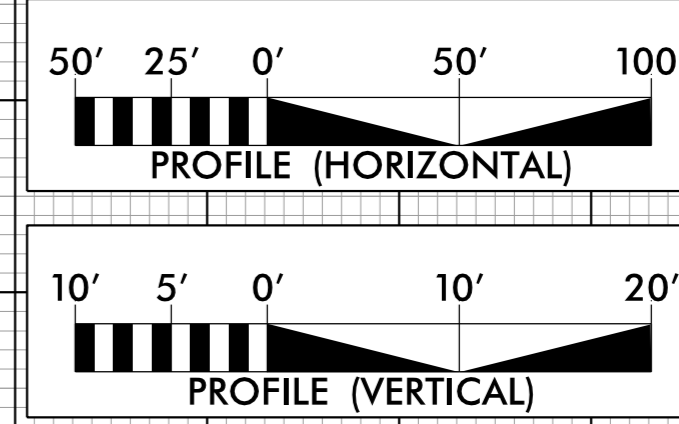


5/28/99

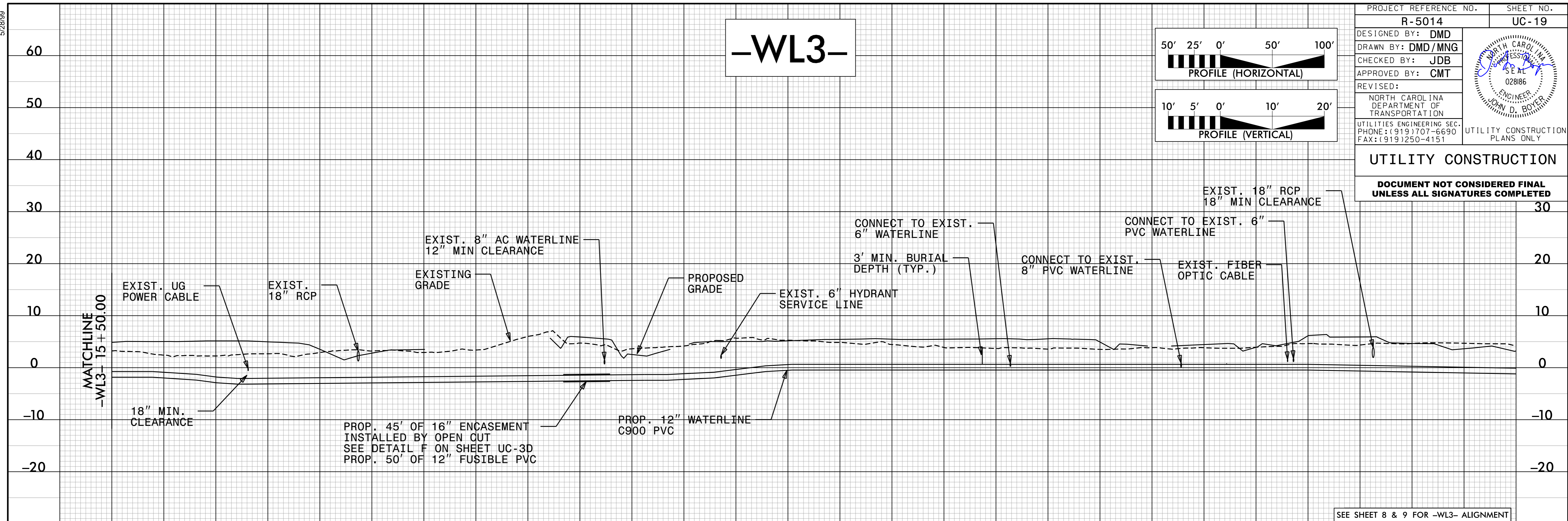
# -WL3-



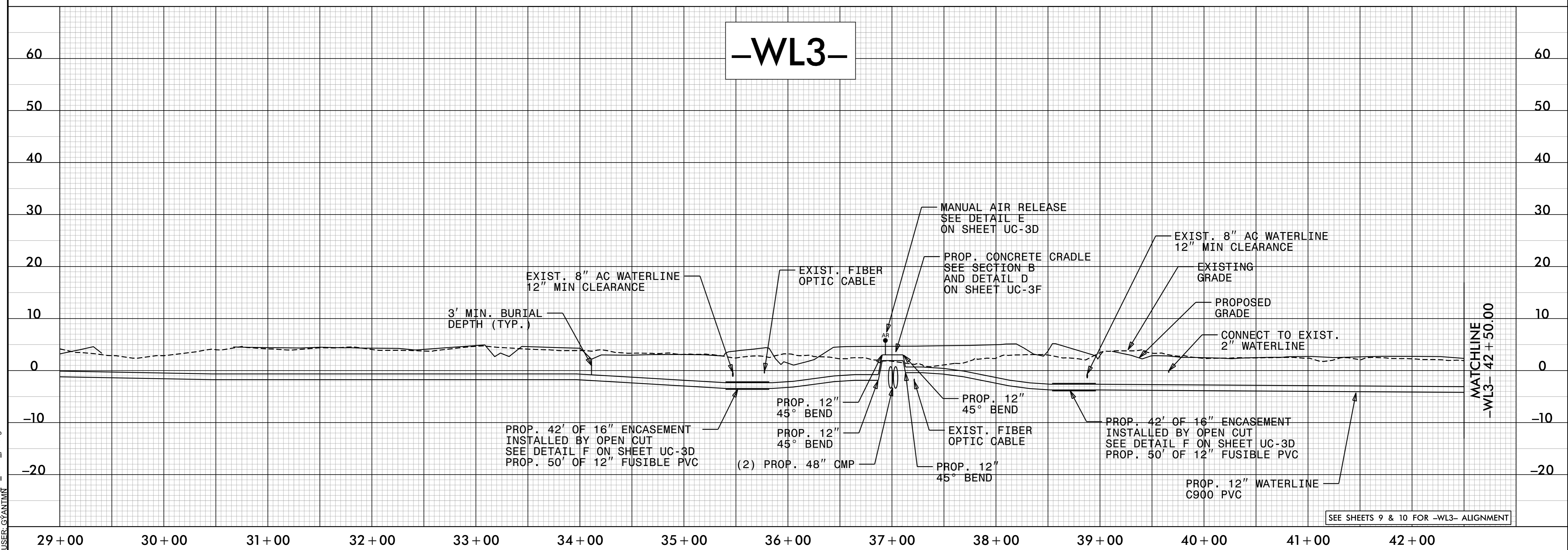
|   |                           |
|---|---------------------------|
| PROJECT REFERENCE NO.<br><b>R-5014</b>  | SHEET NO.<br><b>UC-19</b> |
| DESIGNED BY: <b>DMD</b>   |                           |
| DRAWN BY: <b>DMD/MNG</b>  |                           |
| CHECKED BY: <b>JDB</b>  |                           |
| APPROVED BY: <b>CMT</b>   |                           |
| REVISED:  |                           |
| NORTH CAROLINA<br>DEPARTMENT OF<br>TRANSPORTATION<br>UTILITIES ENGINEERING SEC.<br>PHONE: (919) 707-6690<br>FAX: (919) 250-4151 |                           |
| UTILITY CONSTRUCTION PLANS ONLY   |                           |

## UTILITY CONSTRUCTION

DOCUMENT NOT CONSIDERED FINAL UNLESS ALL SIGNATURES COMPLETED



# -WL3-



SYSTEM: R5014\_U\_UC19\_psh.dgn  
USER: C:\ANIM