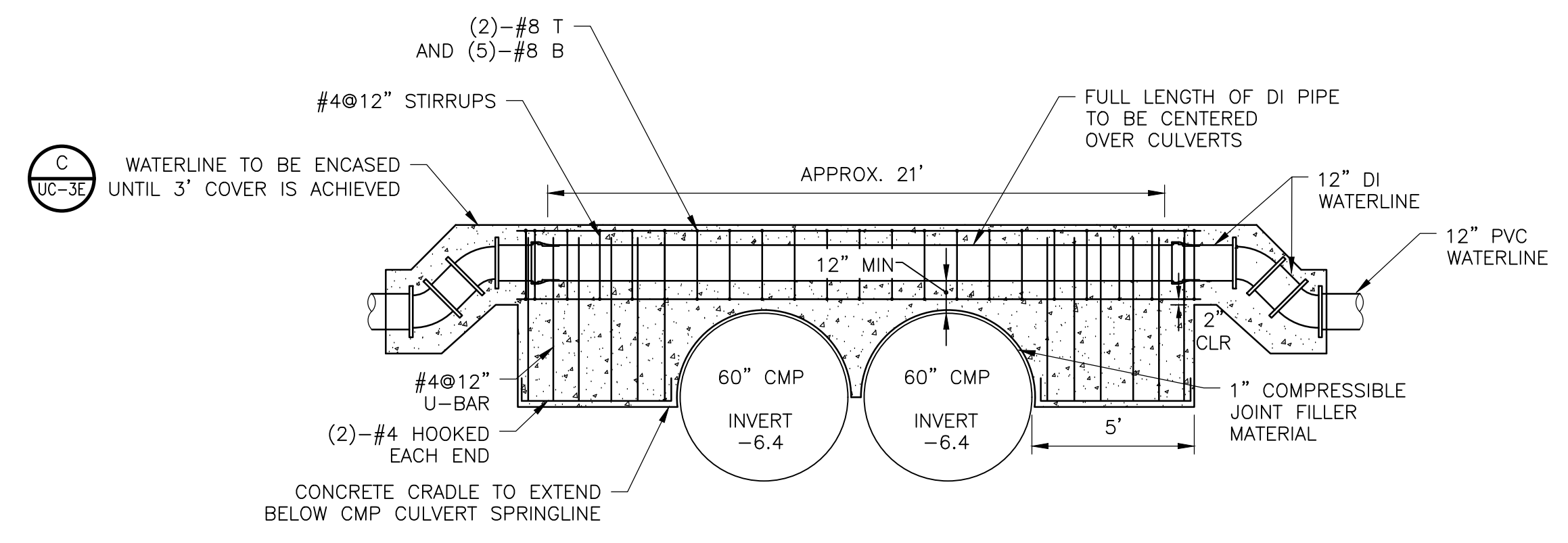
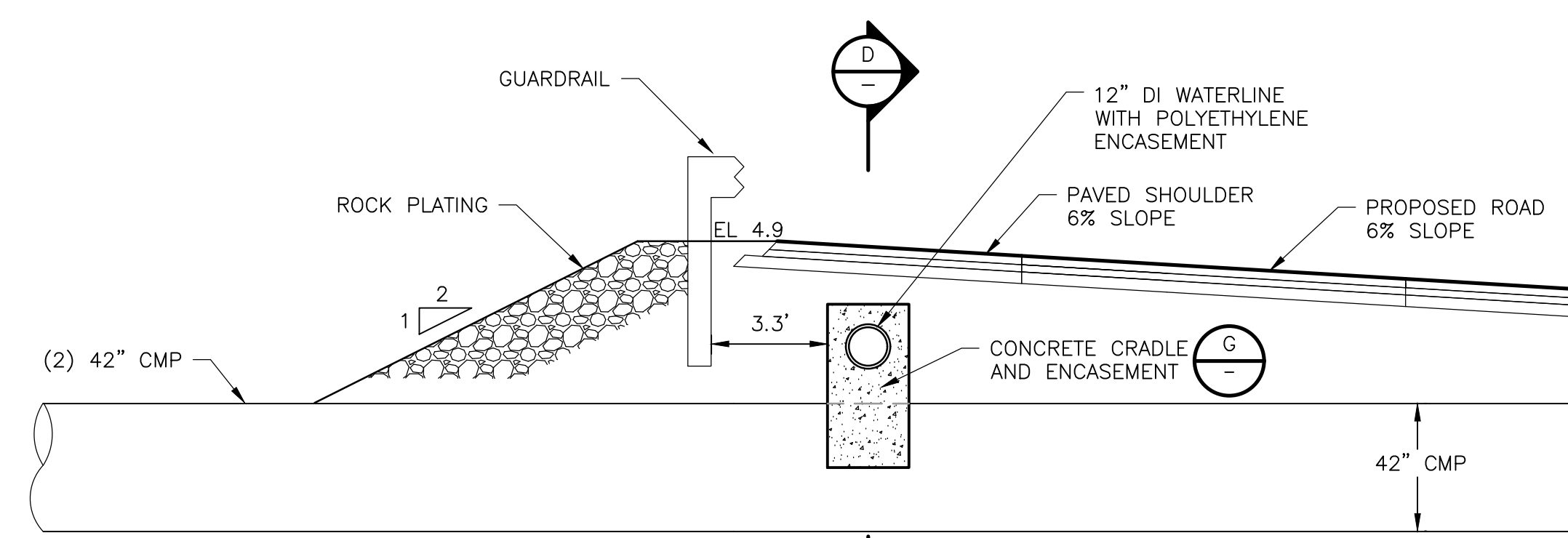


NOTE:  
1. SEE ROADWAY DESIGN SHEET 10 (AND ASSOCIATED ROADWAY SECTIONS AND DETAILS) FOR THE CMP PIPE, PIPE COLLAR, ROCK PLATING, GUARDRAIL, PROPOSED GRADE AND ROADWAY DESIGN AT THIS LOCATION.

CONCRETE CRADLE AND ENCASEMENT  
-L- STATION 104+25  
SECTION A  
UC-8  
NTS

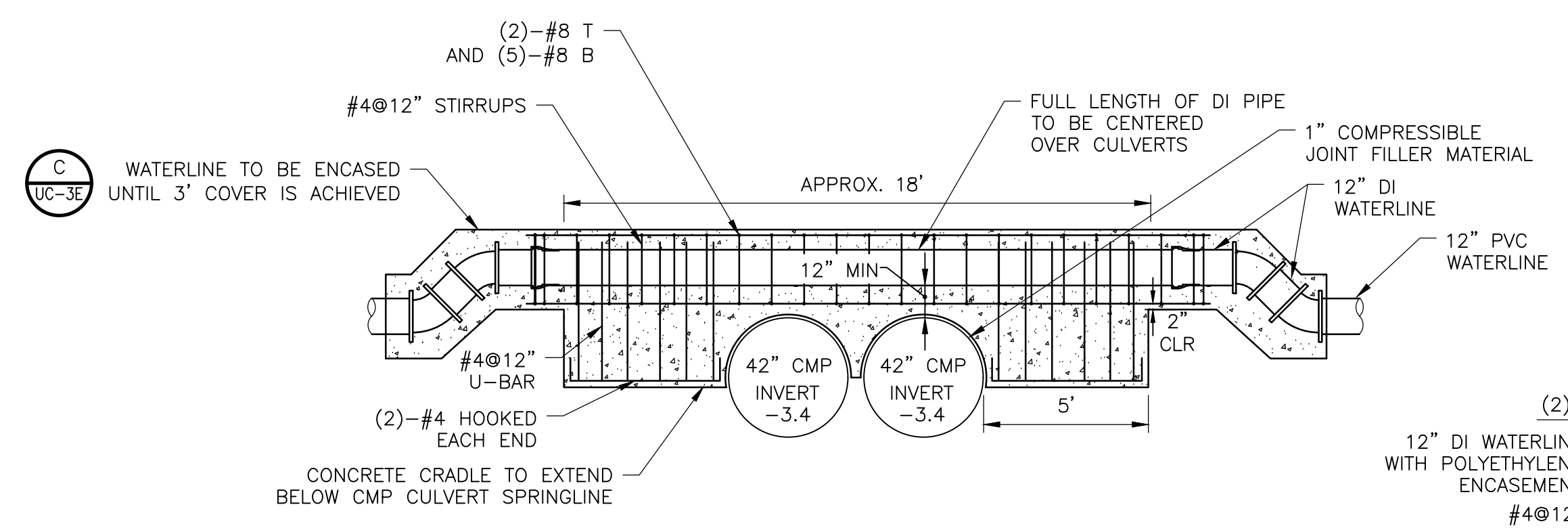


CONCRETE CRADLE AND ENCASEMENT  
ELEVATION C  
UC-8  
NTS

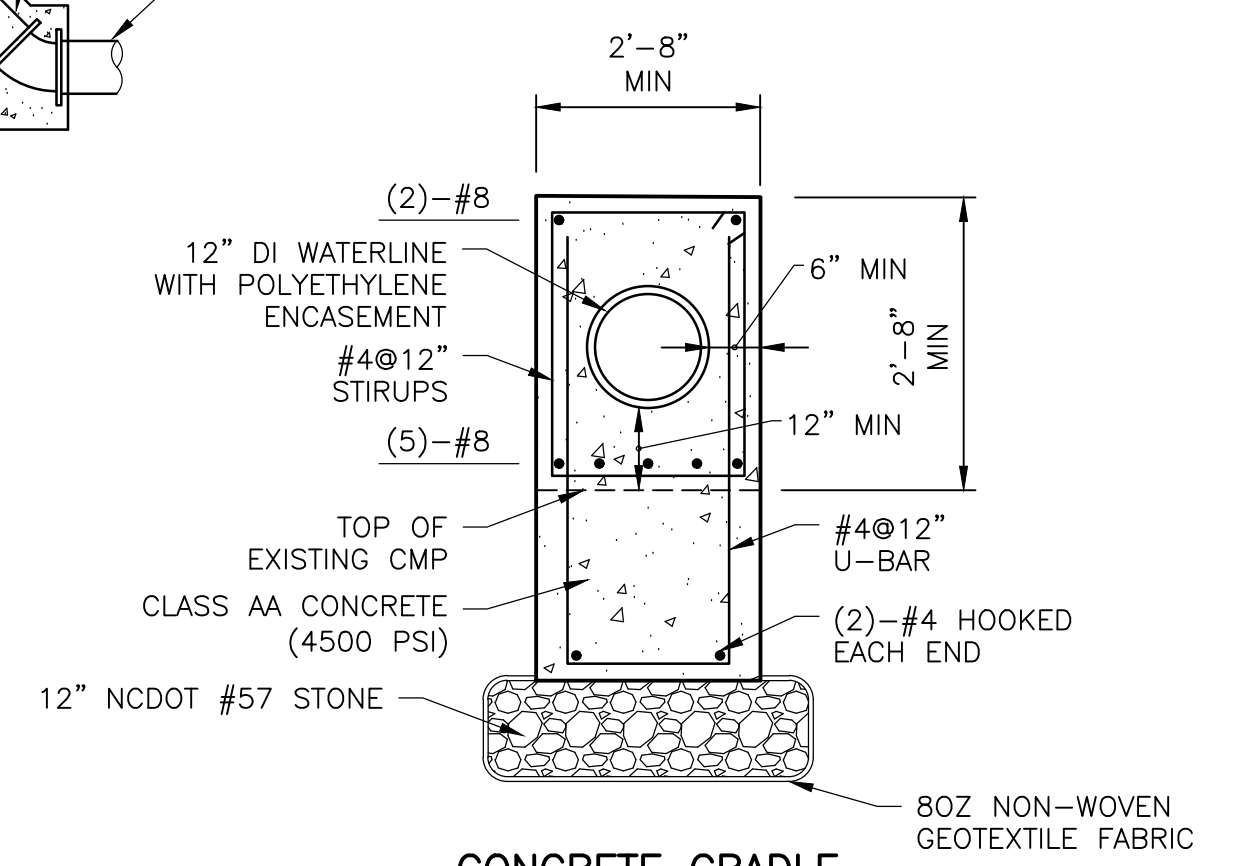


NOTE:  
1. SEE ROADWAY DESIGN SHEET 12 (AND ASSOCIATED ROADWAY SECTIONS AND DETAILS) FOR THE CMP PIPE, PIPE COLLAR, ROCK PLATING, GUARDRAIL, PROPOSED GRADE AND ROADWAY DESIGN AT THIS LOCATION.

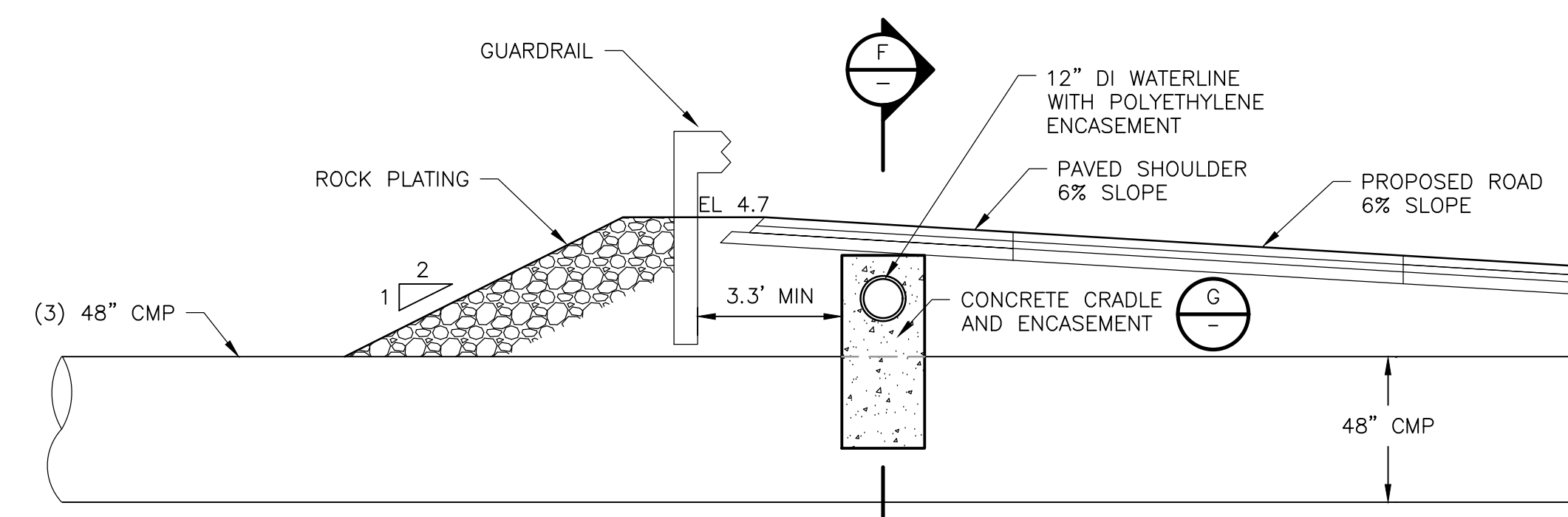
CONCRETE CRADLE AND ENCASEMENT  
-L- STATION 126+76  
SECTION B  
UC-10  
NTS



CONCRETE CRADLE AND ENCASEMENT  
ELEVATION D  
UC-10  
NTS

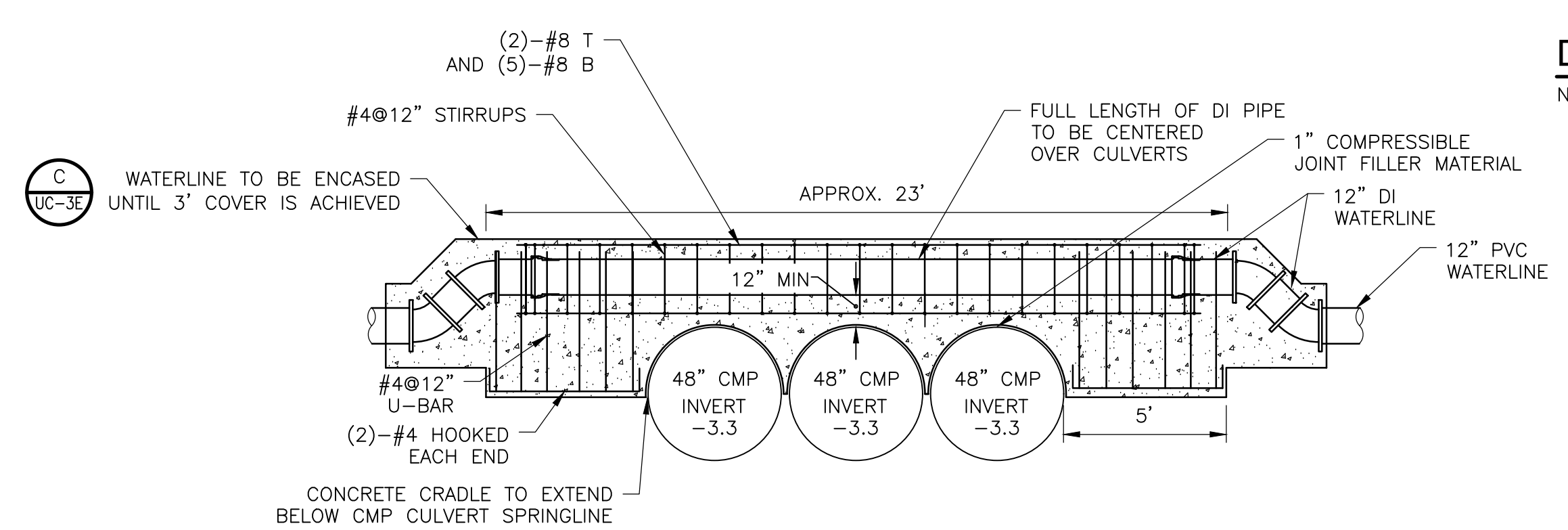


CONCRETE CRADLE  
DETAIL G  
UC-10  
NTS



NOTE:  
1. SEE ROADWAY DESIGN SHEET 7 (AND ASSOCIATED ROADWAY SECTIONS AND DETAILS) FOR THE CMP PIPE, PIPE COLLAR, ROCK PLATING, GUARDRAIL, PROPOSED GRADE AND ROADWAY DESIGN AT THIS LOCATION.

CONCRETE CRADLE AND ENCASEMENT  
-L- STATION 56+40  
SECTION E  
UC-5  
NTS



CONCRETE CRADLE AND ENCASEMENT  
ELEVATION F  
UC-5  
NTS

REVISIONS

8/17/99