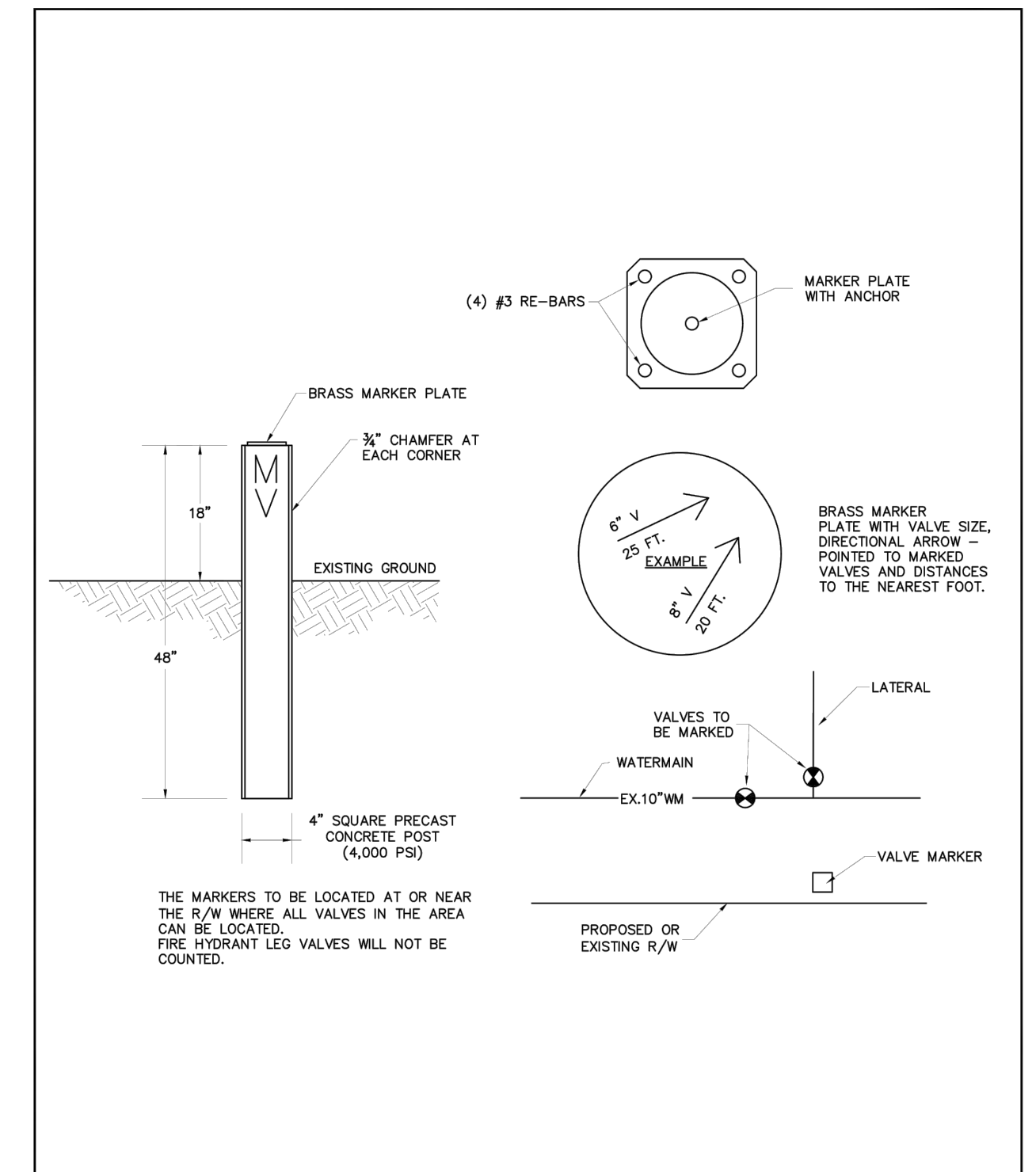
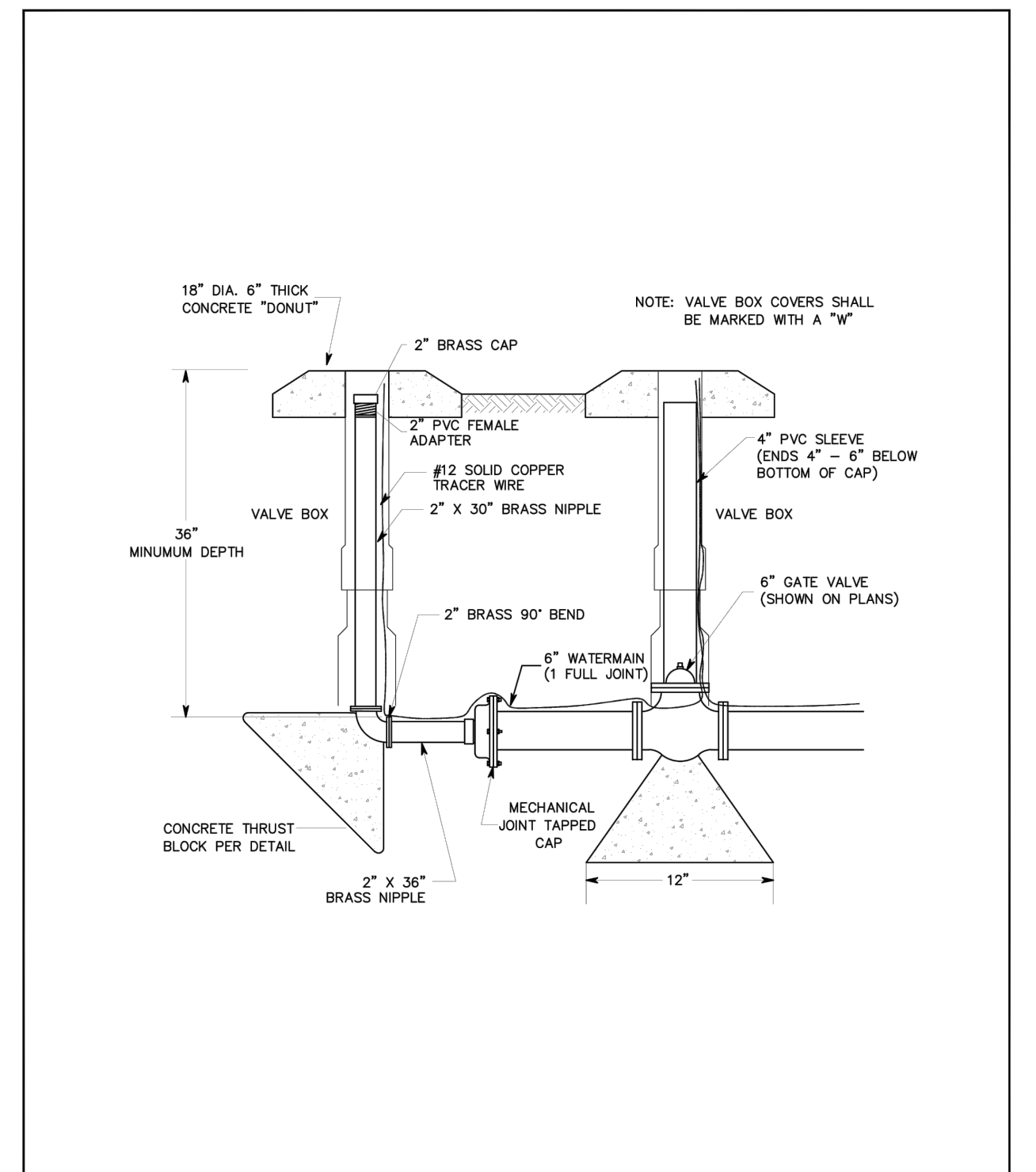


UTILITY CONSTRUCTION
DOCUMENT NOT CONSIDERED FINAL
UNLESS ALL SIGNATURES COMPLETED



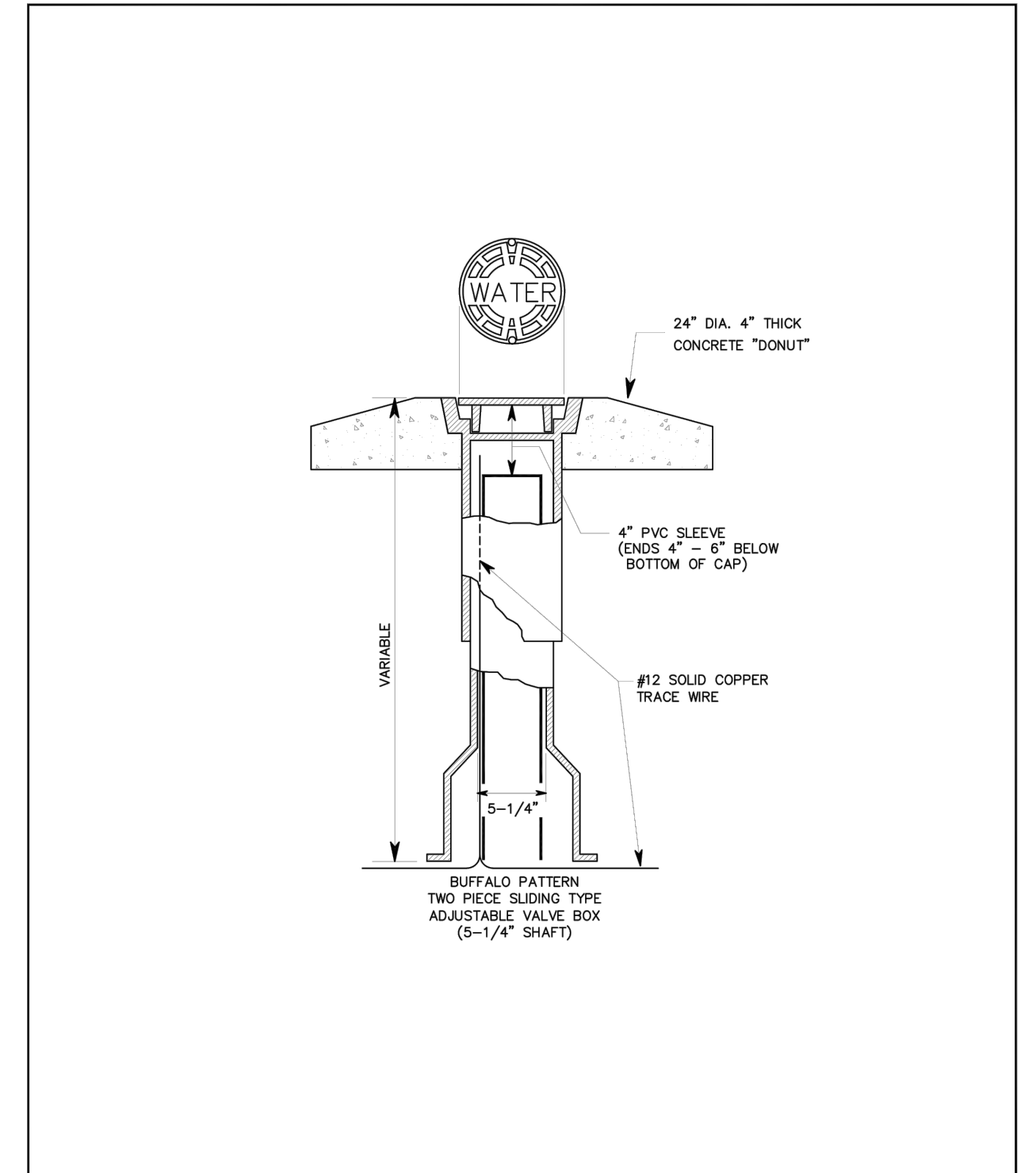
	VALVE MARKER DETAIL	NOT TO SCALE
		ISSUED: 7/31/18
		DETAIL NUMBER 15

DETAIL **A**
NTS



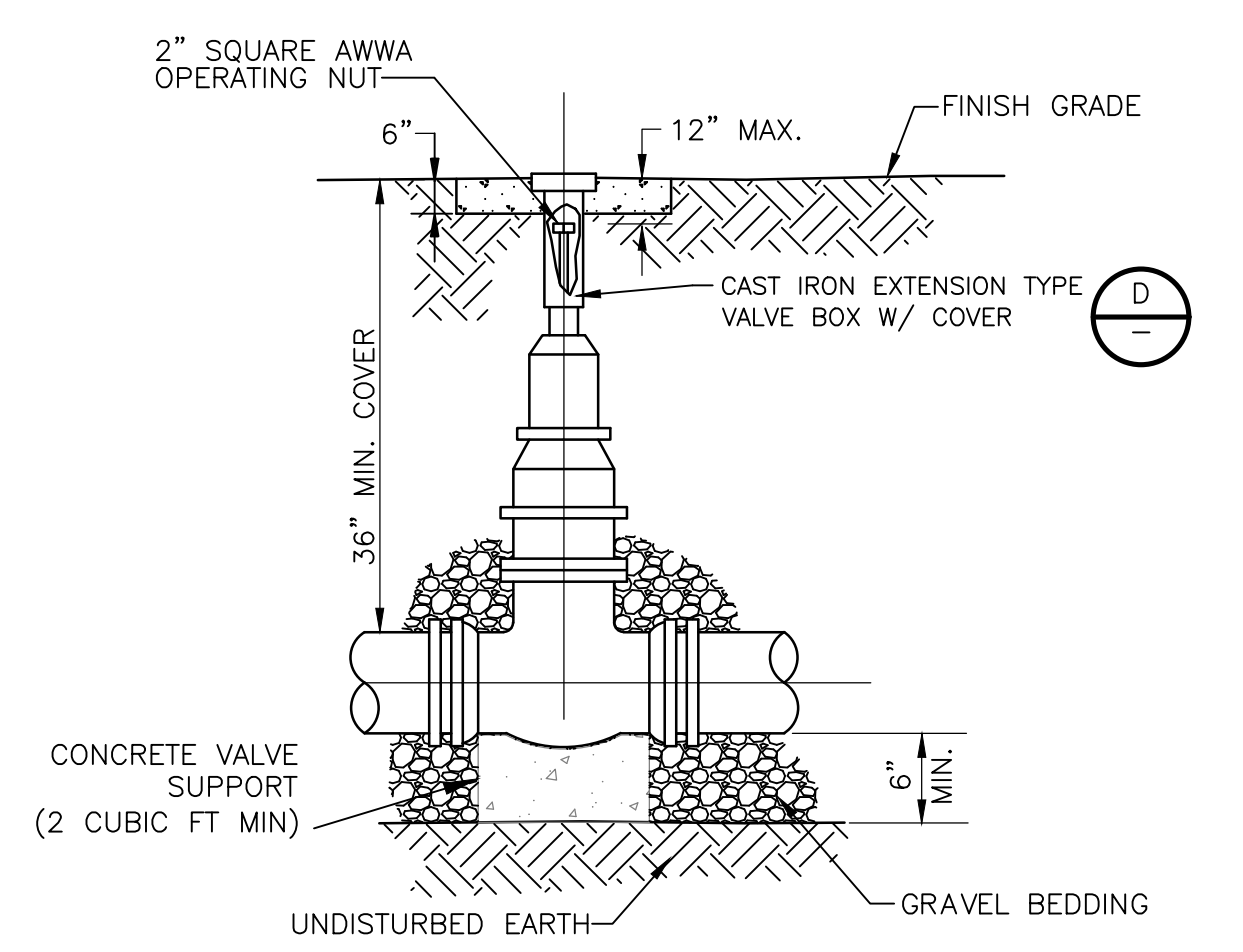
	TEMPORARY BLOW-OFF DETAIL	NOT TO SCALE
		ISSUED: 7/31/18
		DETAIL NUMBER 12

DETAIL **B**
NTS

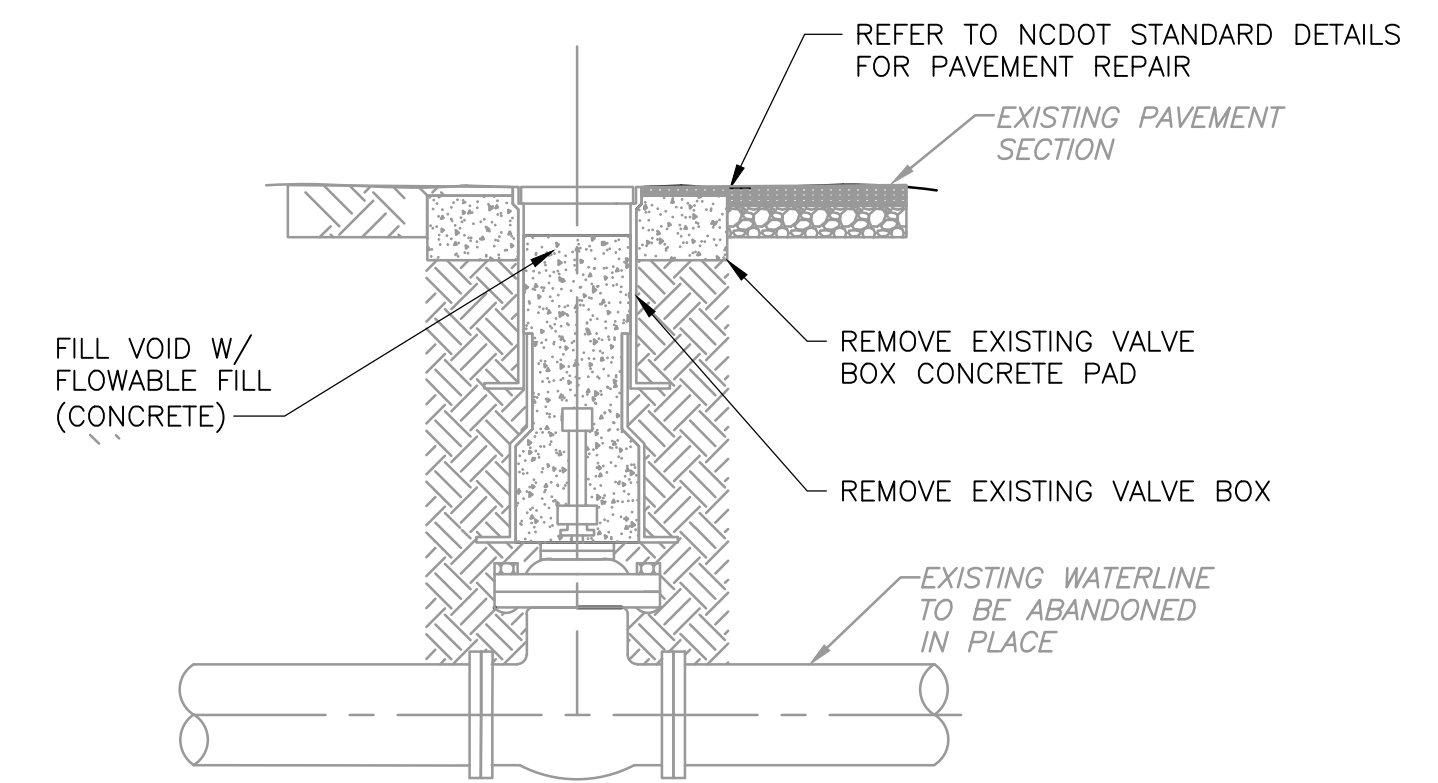


	VALVE BOX DETAIL	NOT TO SCALE
		ISSUED: 7/31/18
		DETAIL NUMBER 14

DETAIL **C**
NTS

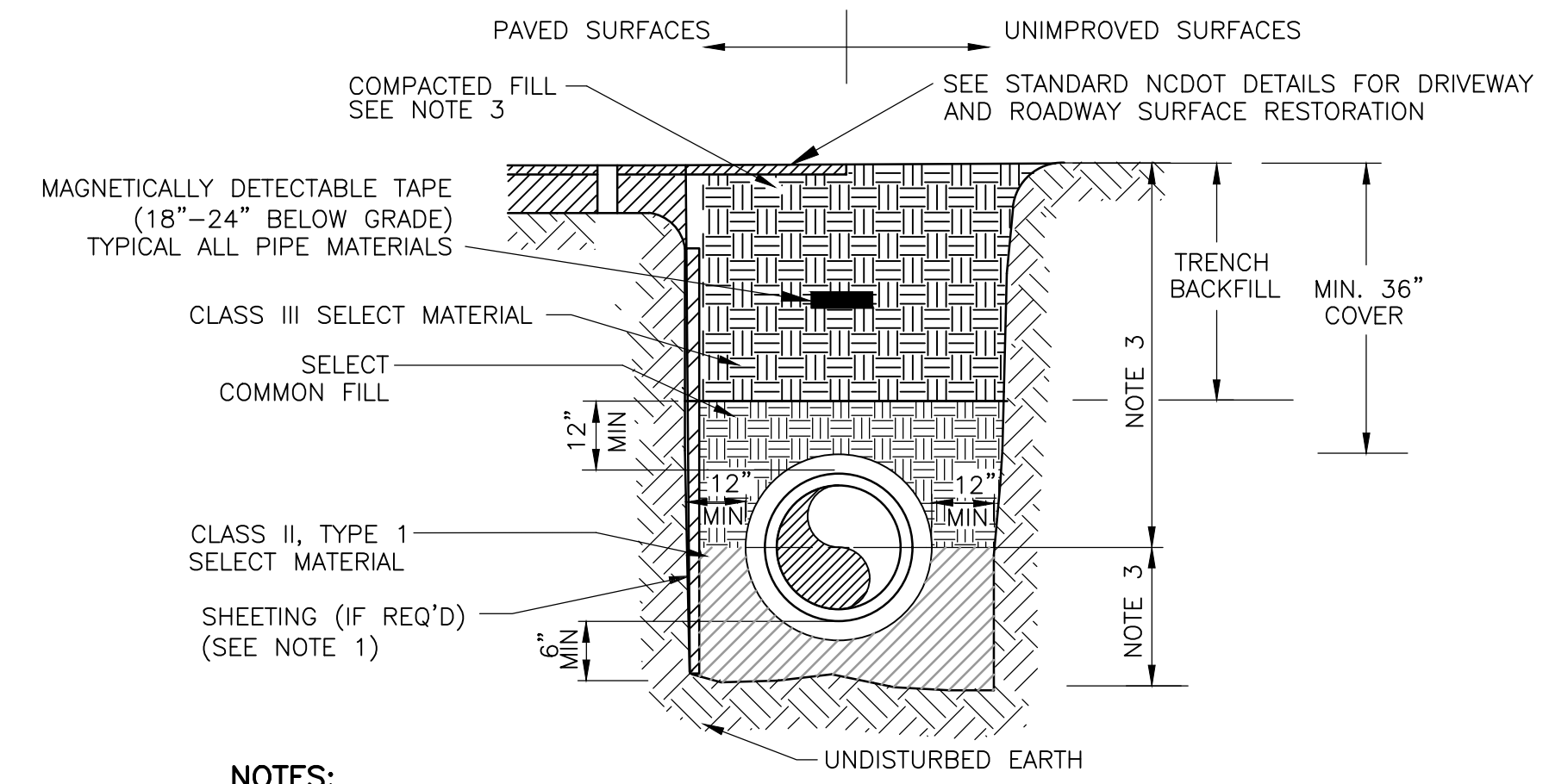


VERTICAL VALVE WITH BELOW GROUND OPERATOR
DETAIL **D**
NTS



- NOTES:
- CLOSE THE VALVE THEN REMOVE UPPER VALVE BOX AND VALVE BOX COVER.
 - REMOVE EXISTING VALVE NUT.
 - FILL THE VOID AROUND THE VALVE WITH FLOWABLE FILL (CONCRETE) TO WITHIN 6 INCHES OF THE EXISTING PAVEMENT OR GRADE.
 - REPAIR, AS NEEDED, TO MATCH EXISTING SURFACE AT GRADE.
 - REMOVE EXISTING VALVE MARKER.

ABANDON EXISTING VALVE IN PLACE
DETAIL **E**
NTS



- NOTES:
- UTILIZE TRENCH BOXES, SHEETING OR OTHER APPROVED MEANS TO SUPPORT UTILITY TRENCHES IN COMPLIANCE WITH OSHA REQUIREMENTS. SHEETING SHALL BE DRIVEN BELOW THE PIPE INVERT IF REQUIRED FOR LATERAL SUPPORT OR UNSUITABLE MATERIAL REMOVAL. WHERE DRIVEN BELOW PIPE INVERT, SHEETING SHALL BE CUT OFF A MIN OF 12" ABOVE TOP OF PIPE OR HIGHER, AS AUTHORIZED BY THE ENGINEER, AND LEFT IN PLACE. IN NO CASE SHALL SHEETING LEFT IN PLACE EXTEND HIGHER THAN 18" BELOW SURFACE GRADE UNLESS SPECIFICALLY APPROVED. BRACING SHALL BE PROVIDED AS REQUIRED.
 - UNSUITABLE MATERIALS, AS DEFINED IN THE SPECIFICATIONS, SHALL NOT BE USED FOR OR ALLOWED IN BACKFILLING.
 - PLACE BEDDING AND BACKFILL LAYERS AND COMPACT PER SPECIFICATIONS.
 - WATER SHALL NOT BE PERMITTED IN THE TRENCH DURING CONSTRUCTION. DEWATER AS SPECIFIED.

PIPE TRENCH, BEDDING & BACKFILL
PIPE INSTALLATION
DETAIL **F**
NTS

REVISIONS

8/17/99