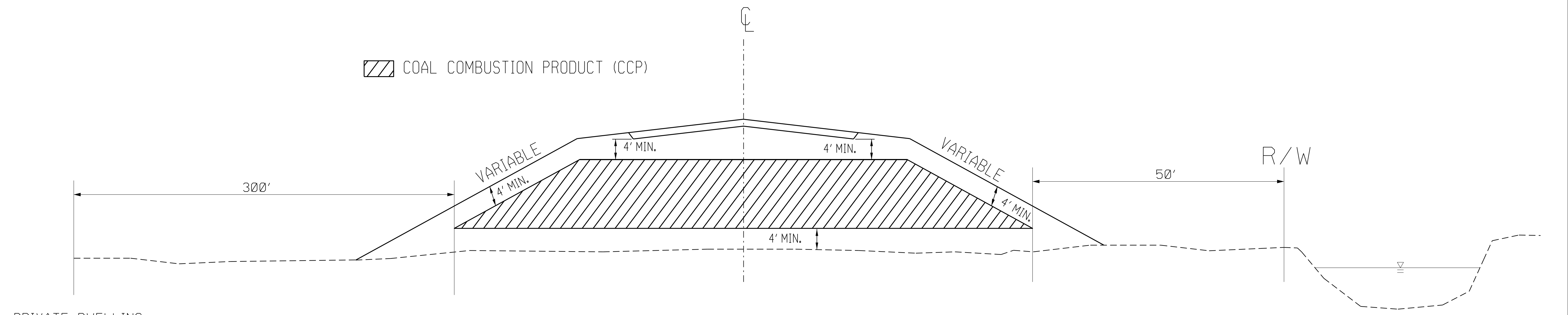


COAL COMBUSTION PRODUCT PLACEMENT



PRIVATE DWELLING
OR WELL

PERENNIAL STREAM, OTHER SURFACE
WATER BODY OR *WETLAND

*(OBTAIN PERMISSION FROM ARMY
CORPS OF ENGINEERS)

PLACE CCP IN HATCHED AREA IN ACCORDANCE
WITH THE PROJECT SPECIAL PROVISIONS

PLACE CCP A MINIMUM OF 5' ABOVE
SEASONAL HIGH GROUND WATER

PLACE AT LOCATIONS AS APPROVED BY THE ENGINEER

PLACE SOIL BORROW MATERIAL ON THE OUTSIDE
OF CCP AS EACH LIFT OF CCP IS PLACED

18-DEC-2018 17:34
 S:\Contract\18-0015\Special Details\Howerton\Coal Combustion Product Detail.dgn
 Ktemp - AT - CSD-212516



DocuSigned by:
Joe S. Howerton
1/4/2019

DOCUMENT NOT CONSIDERED FINAL
UNLESS ALL SIGNATURES COMPLETED

| | |
|---|---------------|
| CONTRACT STANDARDS AND DEVELOPMENT UNIT | |
| Office 919-707-6950 FAX 919-250-4119 | |
| COAL COMBUSTION PRODUCT PLACEMENT DETAIL | |
| ORIGINAL BY: J.S.H. | DATE: 3/16/15 |
| MODIFIED BY: | DATE: |
| CHECKED BY: | DATE: |
| FILE SPEC.: joel/coal combustion material detail.dgn | |