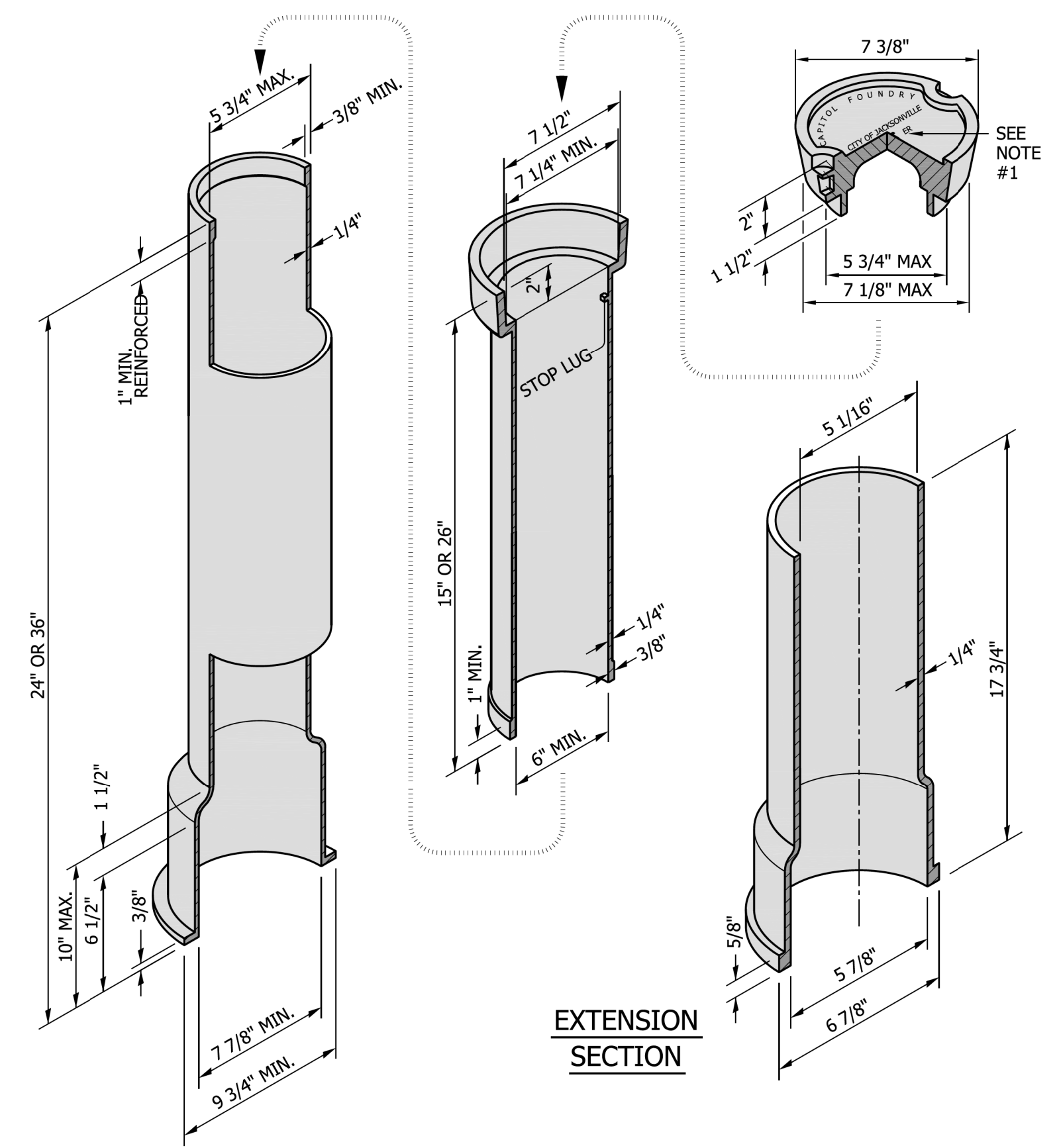


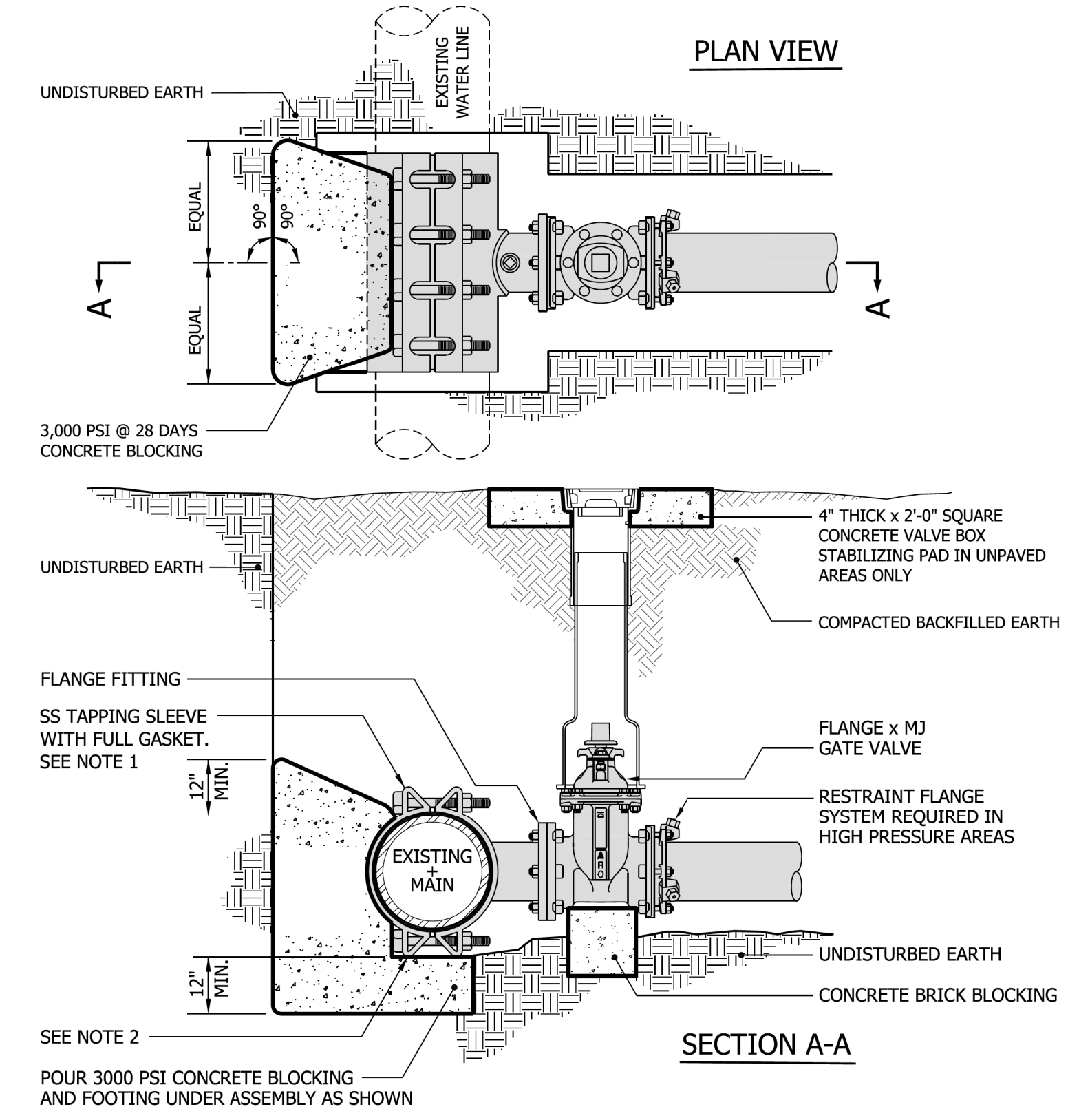
4/15/2020 11:55:55 AM
 \\ws03\local\WSE\Projects\NCA_CarryOldServer\Engineer\JOBS\0696\026\12100_U-4906\Utilities\Engineering\UC\Proj\U4906_ut_dtl_UC03J.psh.dgn
 8/17/99



NOTES:

- USE HEAVY DUTY TRAFFIC LID MARKED "WATER" (OR "SEWER" IF APPLICABLE).
- VALVE BOX FINISH: ASPHALT COATED

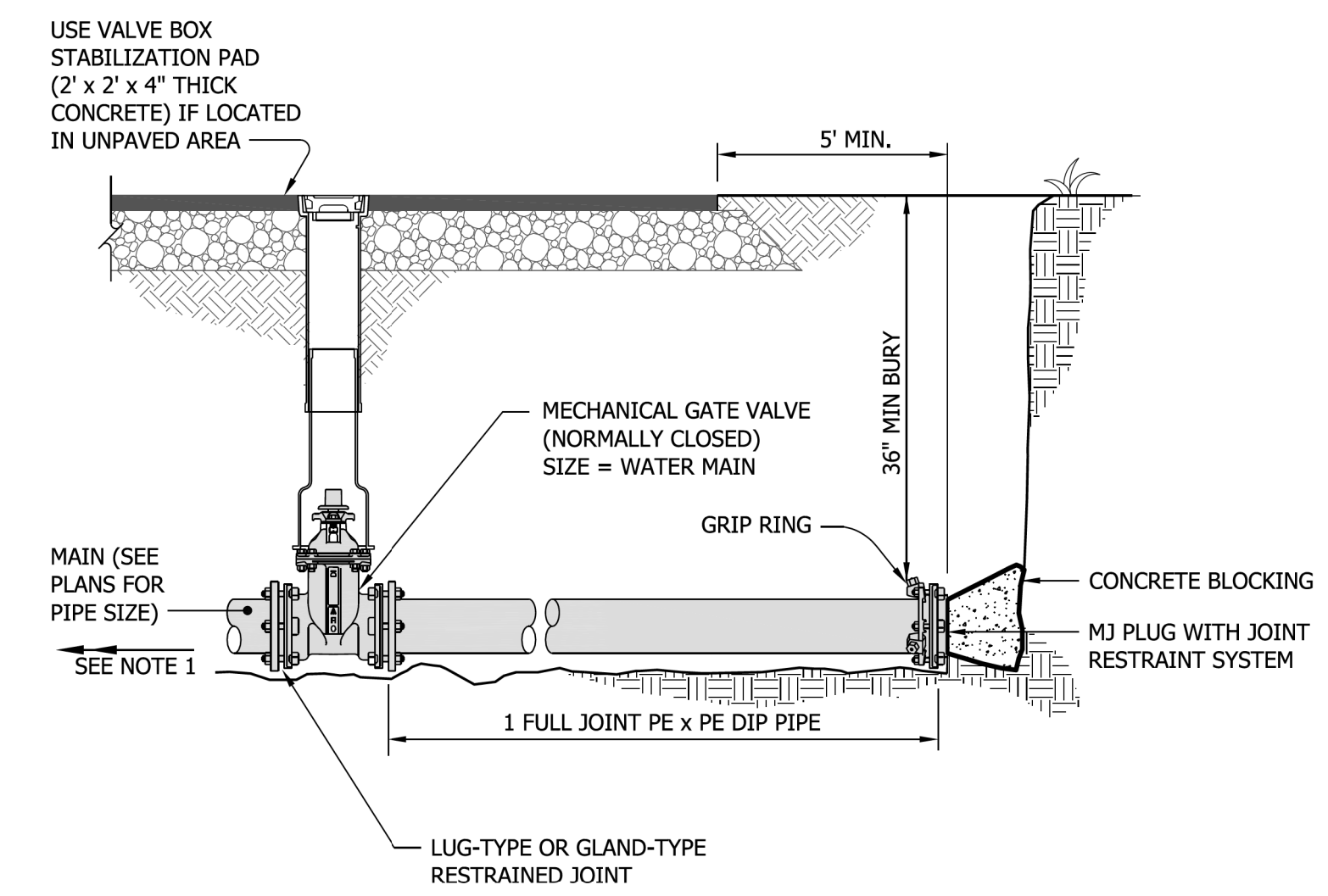
STANDARD SLIP TYPE VALVE BOX DETAIL
NOT TO SCALE



NOTES:

- CONCRETE BLOCKING IS TO BE FORMED TO ENSURE ACCESSIBILITY TO FITTINGS AND POURED AGAINST UNDISTURBED EARTH.
- FITTINGS ARE TO BE COMPLETELY WRAPPED WITH PLASTIC, PRIOR TO POURING CONCRETE.
- CONCRETE TO BE MINIMUM 3,000 PSI. @ 28 DAYS.

4" TO 12" STANDARD TAPPING SLEEVE AND VALVE ASSEMBLY
NOT TO SCALE

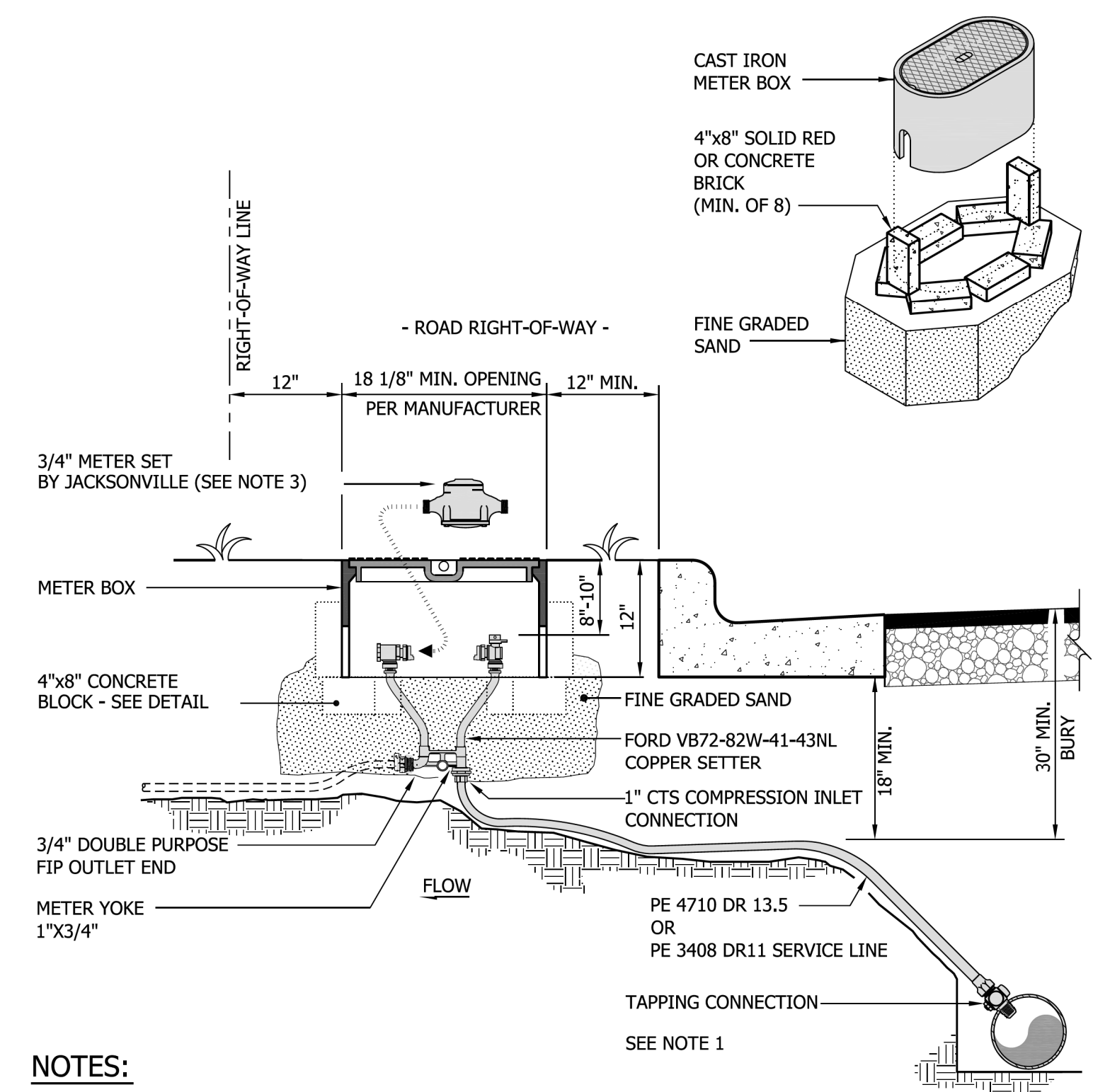


NOTES:

- PIPE "UPSTREAM" OF VALVE SHALL BE RESTRAINED BY AN APPROVED RESTRAINING SYSTEM ACCORDING TO THE FOLLOWING:

NOMINAL PIPE SIZE	RESTRAINT LENGTH
6"	36'
8"	47'
12"	65'
16"	84'
24"	118'

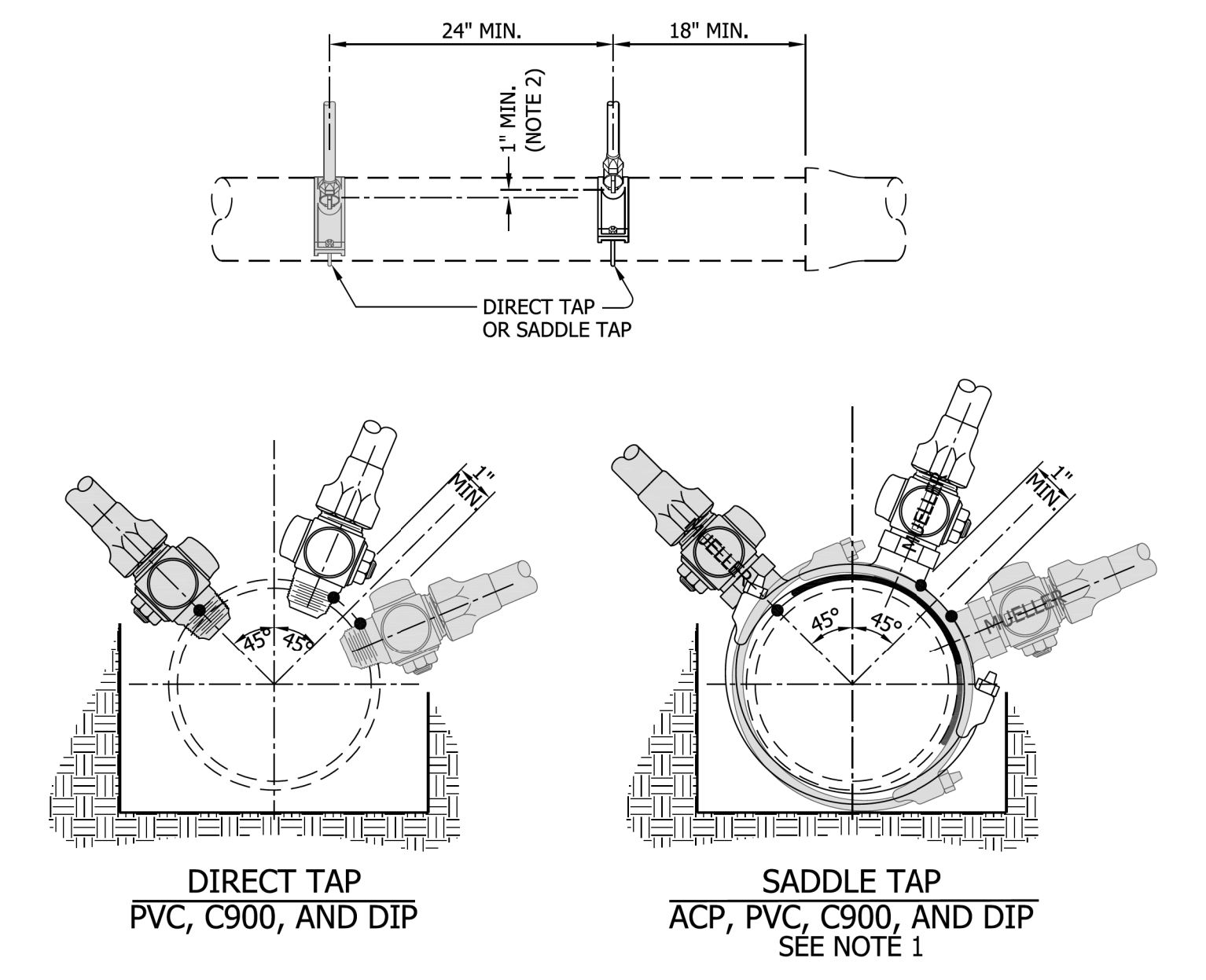
STANDARD WATER MAIN PLUG DETAIL
NOT TO SCALE



NOTES:

- IF INSTALLATION IS FOR STUB-OUT METER, METER SHOULD BE PURCHASED FROM CITY OF JACKSONVILLE (AT APPLICANTS EXPENSE).
- METER MUST BE LEVEL, STRAIGHT, & CENTERED IN BOX ACROSS METER CONNECTIONS.
- SUBSTITUTION REQUIRES APPROVAL BY CITY OF JACKSONVILLE PUBLIC SERVICES DIRECTOR.
- METER SHOULD NOT BE LOCATED IN A DRIVEWAY. IF METER MUST BE LOCATED IN DRIVEWAY, A TRAFFIC RATED BOX AND COVER SHALL BE USED EQUAL TO OR EXCEEDING THE MID-STATES PLASTICS, INC. "BC" SERIES RECTANGULAR METER BOX PART NO. MSBCF1118-12

STANDARD 3/4" DOMESTIC METER INSTALLATION
NOT TO SCALE



NOTES:

- ALL BRONZE SADDLES TO BE SINGLE STRAP FOR 1".
- IF 2 TAPS ARE MADE ON EACH SIDE OF THE MAIN THERE SHALL BE A MINIMUM OF 24" HORIZONTAL SEPARATION. MULTIPLE TAPS ON THE SAME SIDE SHALL HAVE A MINIMUM 24" HORIZONTAL SEPARATION AND BE STAGGERED A MINIMUM OF 1" VERTICALLY TO PREVENT DAMAGE TO THE MAIN.

STANDARD 1" WATER TAPPING DETAIL
NOT TO SCALE

PROJECT REFERENCE NO. U-4906	SHEET NO. UC-3J
DESIGNED BY: SHF	
DRAWN BY: SHF	
CHECKED BY: KCZ	
APPROVED BY: KCZ	
REVISER:	7/1/2021
NORTH CAROLINA DEPARTMENT OF TRANSPORTATION UTILITIES ENGINEERING SEC. PHONE: (919) 707-6690 FAX: (919) 250-4151 UTILITY CONSTRUCTION PLANS ONLY	
UTILITY CONSTRUCTION	
DOCUMENT NOT CONSIDERED FINAL UNLESS ALL SIGNATURES COMPLETED	
Weston & Sampson WSE of North Carolina, PC 598 East Chatham Street Suite 137 Cary, NC 27511 Phone: 919.297.0220 NC License: C-4647 Fax: 919.297.0221	

DETAILS APPLY TO CITY OF JACKSONVILLE FACILITIES