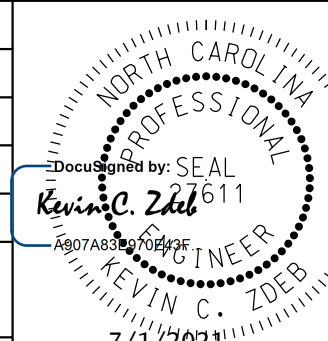
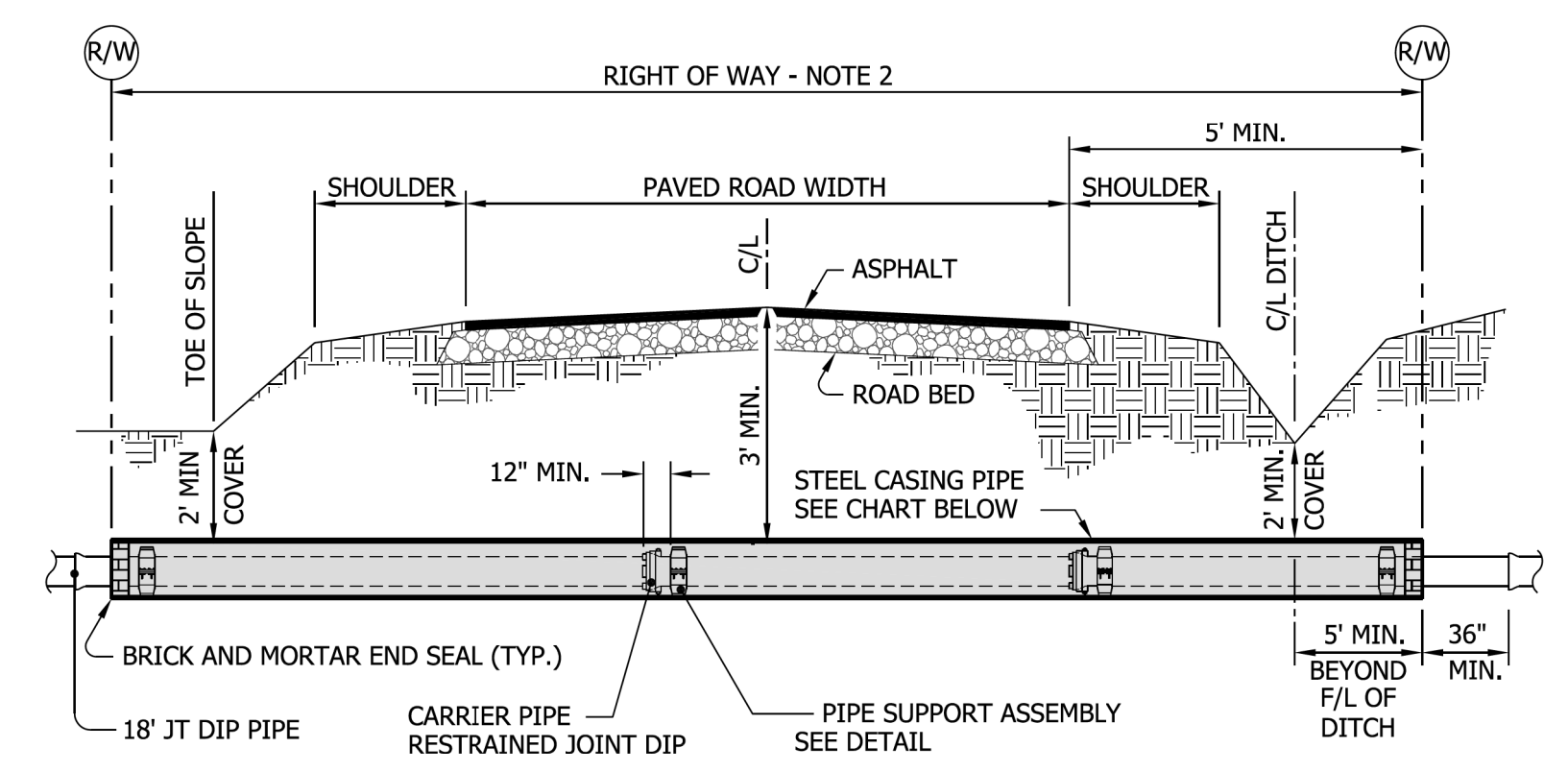


PROJECT REFERENCE NO.	SHEET NO.
U-4906	UC-3H
DESIGNED BY: SHF	
DRAWN BY: SHF	
CHECKED BY: KCZ	
APPROVED BY: KCZ	
REVISED:	
NORTH CAROLINA DEPARTMENT OF TRANSPORTATION UTILITIES ENGINEERING SEC. PHONE: (919) 707-6690 FAX: (919) 250-4151 UTILITY CONSTRUCTION PLANS ONLY	

**UTILITY CONSTRUCTION**

**DOCUMENT NOT CONSIDERED FINAL UNLESS ALL SIGNATURES COMPLETED**

Weston & Sampson  
 WSE of North Carolina, PC  
 598 East Chatham Street Suite 137 Cary, NC 27511  
 Phone: 919.297.0220 NC License: C-4647 Fax: 919.297.0221



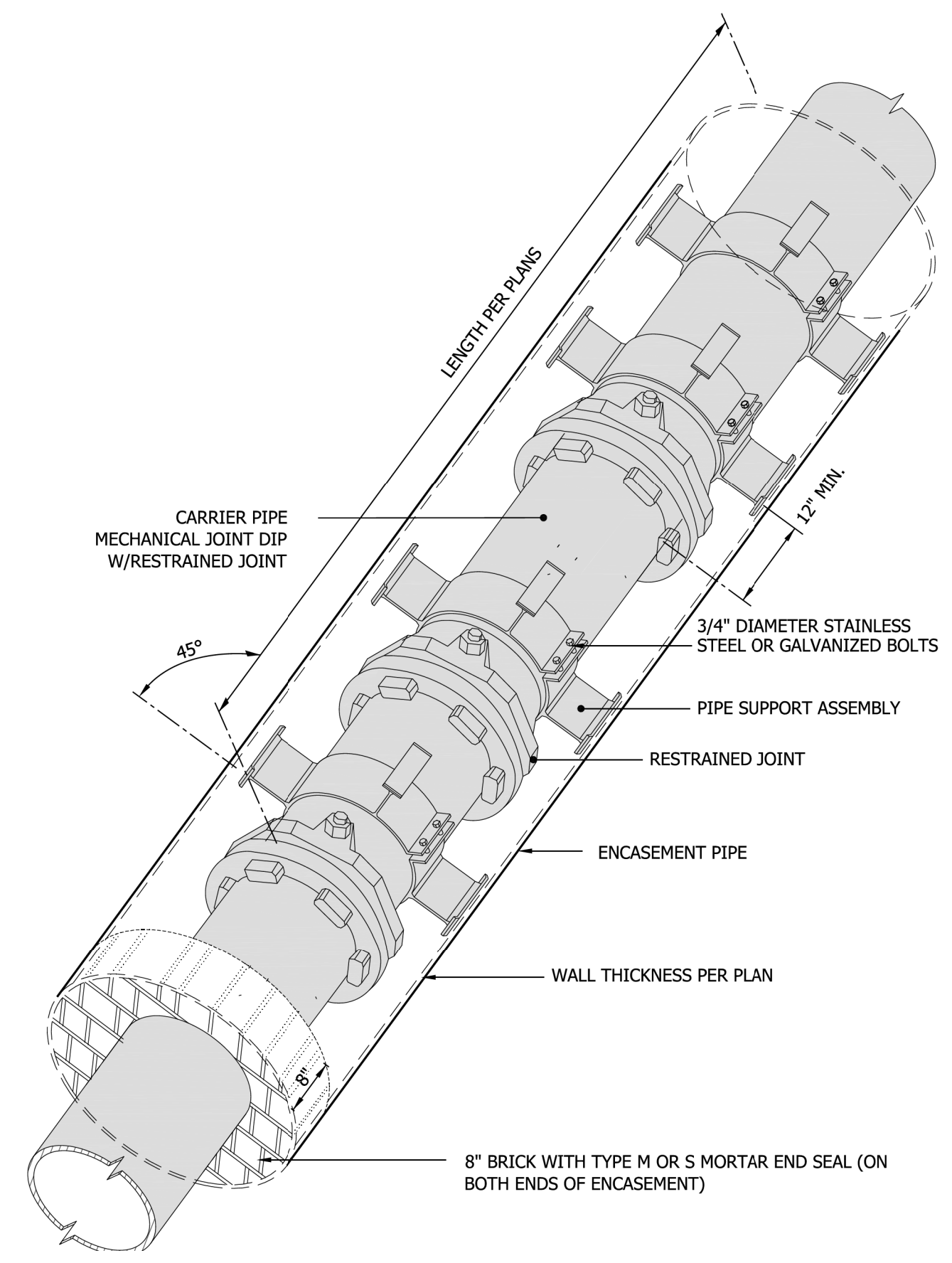
CARRIER PIPE		CASING PIPE			
NOMINAL DIAMETER	OUTSIDE DIAMETER	RAILROAD		HIGHWAY	
		OUTSIDE DIAMETER	WALL THICKNESS	OUTSIDE DIAMETER	WALL THICKNESS
6" & UNDER	6.90"	12 3/4"	0.188"	12 3/4"	0.188"
8"	9.05"	16"	0.281"	16"	0.250"
10"	11.10"	20"	0.344"	20"	0.250"
12"	13.20"	24"	0.375"	24"	0.250"
14"	15.30"	28"	0.438"	28"	0.312"
16"	17.40"	30"	0.469"	30"	0.312"
18"	19.50"	30"	0.469"	30"	0.312"
20"	21.60"	42"	0.625"	42"	0.500"
24"	25.80"	42"	0.625"	42"	0.500"

\*DIMENSIONS ARE WITHOUT COATINGS

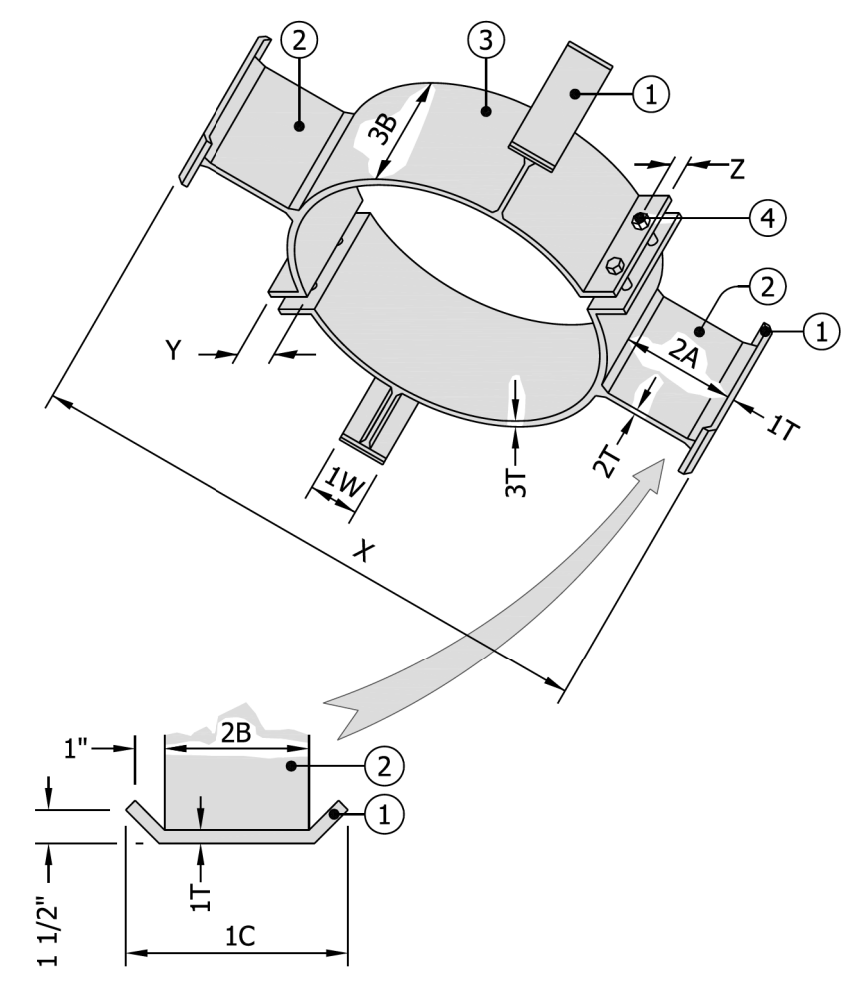
**NOTES:**

1. INSTALLATION BY DRY BORE & JACKING.
2. BORE TO RUN FROM RIGHT-OF-WAY TO RIGHT-OF-WAY UNLESS APPROVED OTHERWISE BY CITY OF JACKSONVILLE.
3. GREASE ENCASEMENT PIPE AS REQUIRED FOR EASE OF INSTALLATION.
4. STEEL PIPE TO BE 35,000 PSI MIN. YIELD STRENGTH, GRADE B.

TYPICAL DETAIL FOR BORE UNDER PAVED ROADS/HIGHWAYS  
 NOT TO SCALE



TYPICAL DETAIL FOR BORE UNDER PAVED ROADS/HIGHWAYS WITH END SEALS  
 NOT TO SCALE



C.P. NOMINAL DIA.	PIPE SUPPORT ASSEMBLY MARK NUMBER								DIMENSIONS			
	1	2	3	4	5	6	7	8	X	Y	Z	
6"	5"	2"	3/8"	3"	1"	3/8"	3"	3/8"	1/2" DIA. 1 REQ'D	10.40"	1 7/8"	3/4"
8"	6"	2"	3/8"	4"	1 3/4"	3/8"	3"	3/8"	1/2" DIA. 1 REQ'D	14.05"	1 7/8"	3/4"
10"	6"	2"	3/8"	4"	4 3/4"	3/8"	4"	3/8"	1/2" DIA. 1 REQ'D	22.10"	3"	1 3/8"
12"	6"	2"	3/8"	4"	3 3/4"	3/8"	4"	3/8"	1/2" DIA. 1 REQ'D	22.20"	3"	1 3/8"
14"	6"	2"	3/8"	4"	2 3/4"	3/8"	4"	3/8"	1/2" DIA. 1 REQ'D	22.30"	3"	1 3/8"
16"	8"	3"	3/8"	6"	4 1/4"	3/8"	6"	3/8"	3/4" DIA. 1 REQ'D	27.40"	3"	1 3/8"
18"	8"	3"	3/8"	6"	3 1/4"	3/8"	6"	3/8"	3/4" DIA. 1 REQ'D	27.50"	3"	1 3/8"
24"	12"	4"	1/2"	10"	5 3/4"	1/2"	10"	1/2"	1/2" DIA. 2 REQ'D	39.30"	3"	1 3/8"
30"	12"	4"	1/2"	10"	2 1/2"	1/2"	10"	1/2"	1/2" DIA. 2 REQ'D	39.00"	3"	1 3/8"

TYPICAL DETAIL FOR BORE UNDER PAVED ROADS/HIGHWAYS  
 NOT TO SCALE

4/15/2020  
 \\wse03\local\WSE\Projects\NC\Cary\oldServer\Engineer\JOBS\0696\026\12100 U-4906\Utilities\Engineering\UC\Proj\U4906\_ut\_dfl\_LUC03H\_psh.dgn  
 8/17/99

DETAILS APPLY TO CITY OF JACKSONVILLE FACILITIES