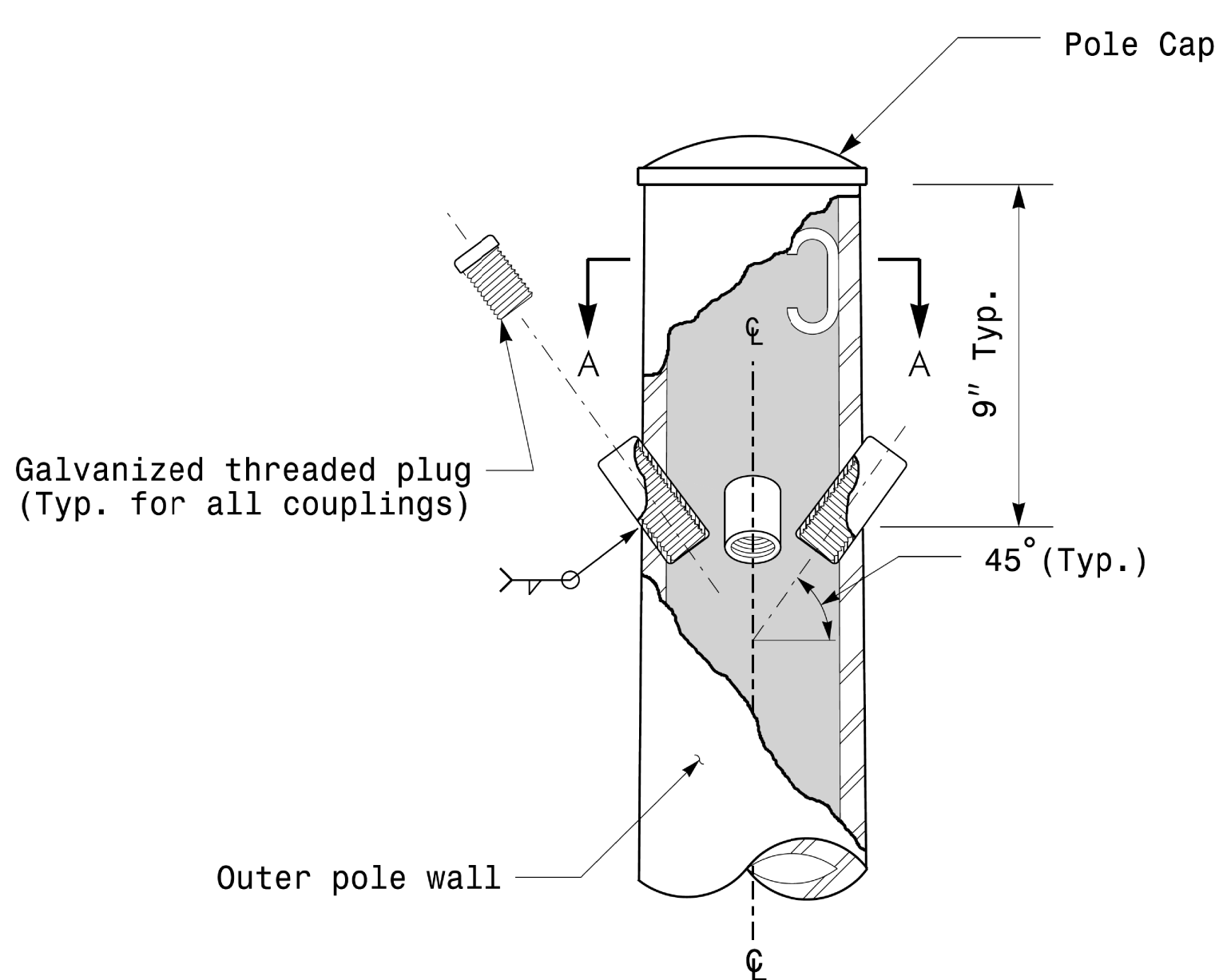
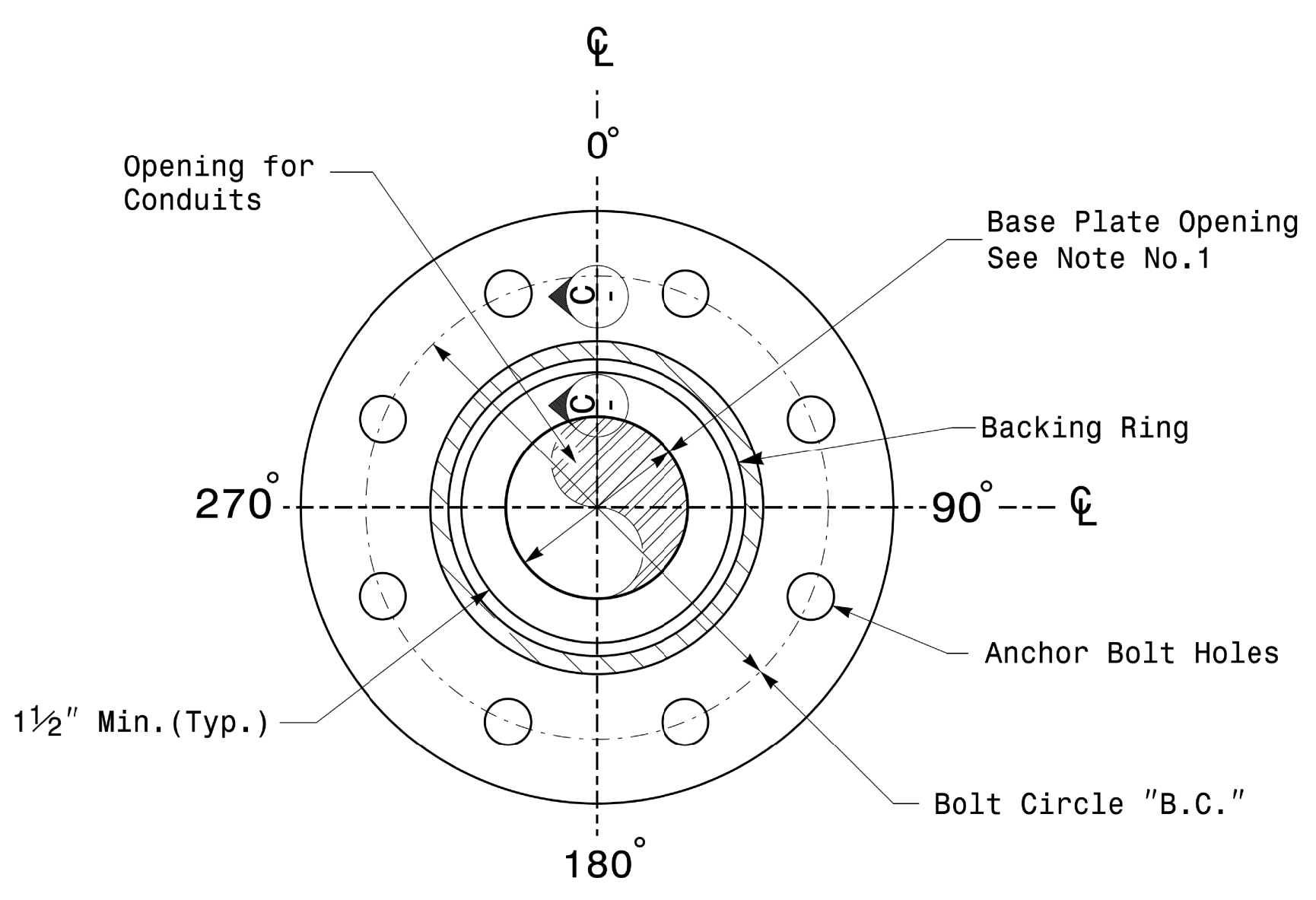


PROJECT ID. NO.	SHEET NO.
U-4906	Sig.M3

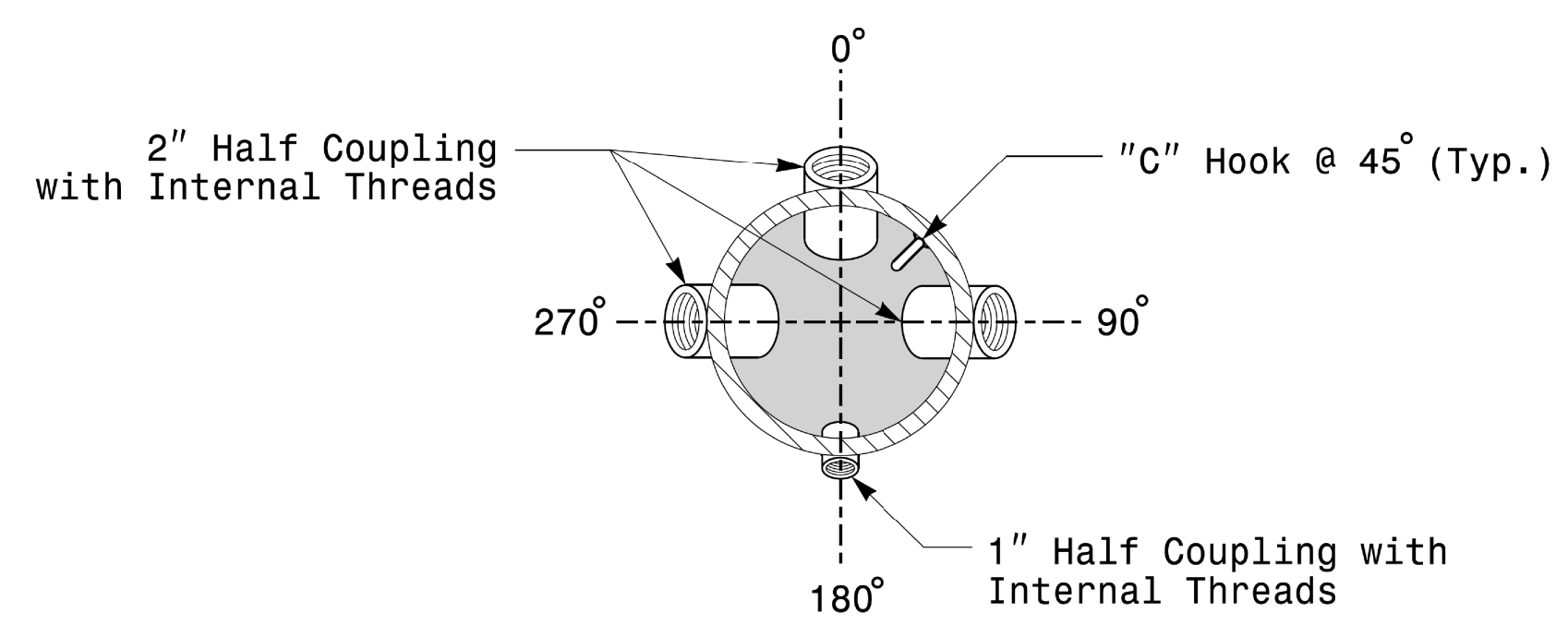
Note:
 1. Opening in pole base plate shall be equal to pole base inside diameter minus 3 1/2" but shall not be less than 8 1/2".



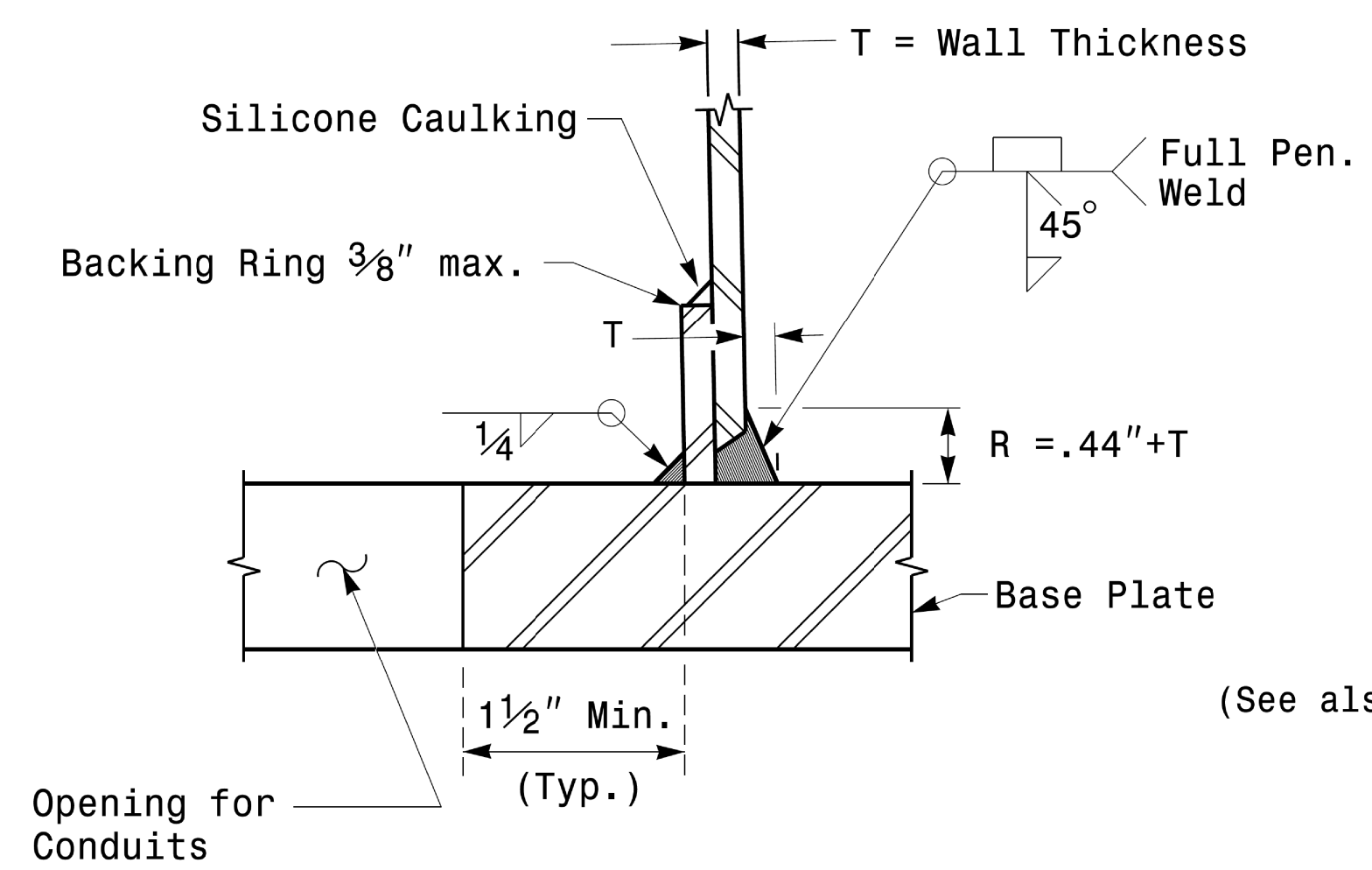
Cable Entrances at Top of Pole



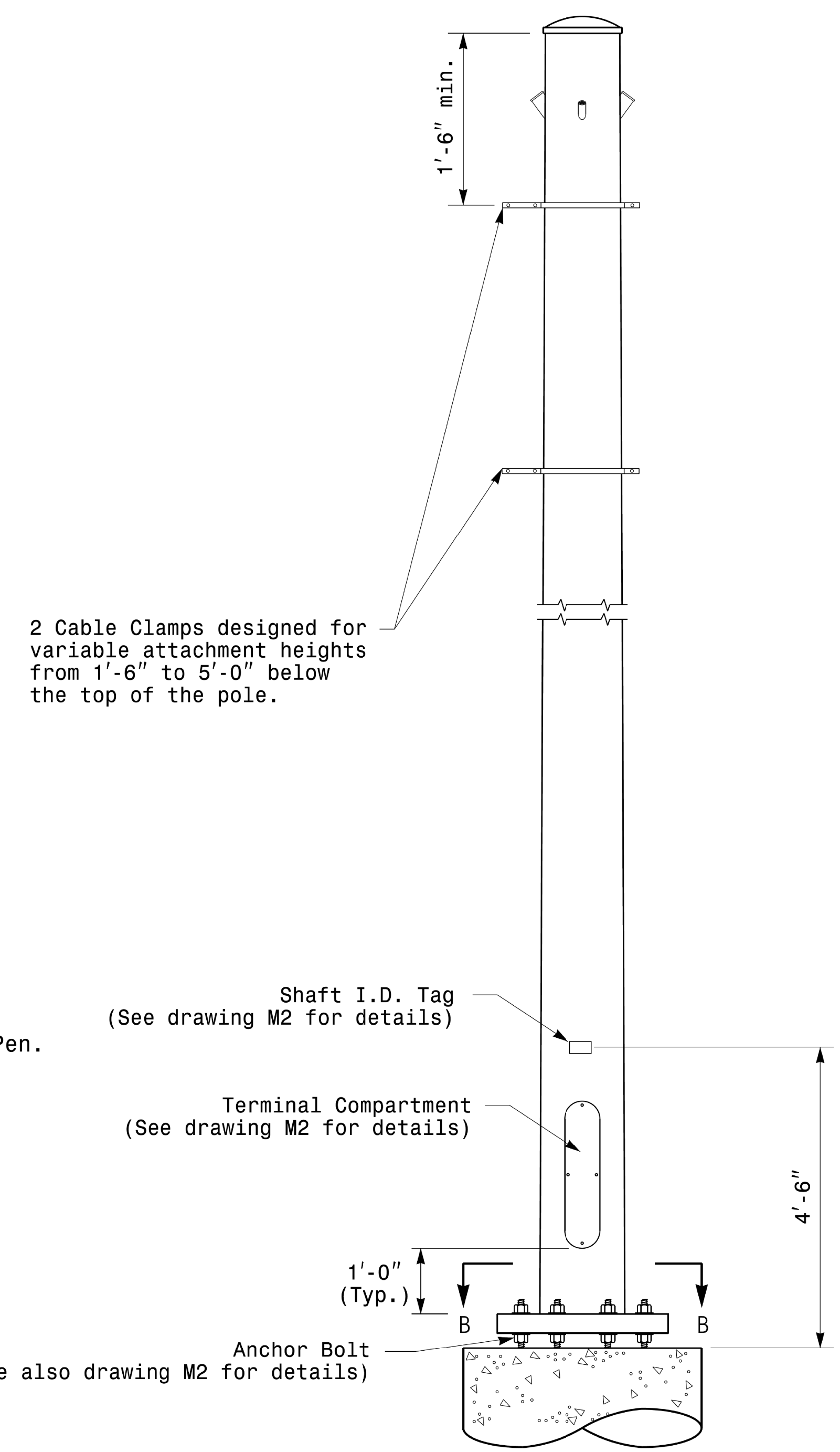
**Section B-B
 Pole Base Plate Details
 (8 and 12 Bolt Pattern)**



**Section A-A
 Radial Orientation for Factory Installed
 Accessories at Top of Pole**



**Section C-C
 (Pole Attachment to Base Plate)
 Full-Penetration
 Groove Weld Detail**



Monotube Strain Pole

Fabrication Details - Strain Poles

11-OCT-2017 08:25 S:\IT\SS\115_Signals\Signal_Design_Section\Eastern_Region\MI_Sheets\2016\2014_Sig_M3_Shd_Fabrication_Details\Strain_Poles.dgn

<p>750 N. Greenfield Pkwy, Garner, NC 27529</p>	Typical Fabrication Details For Strain Poles		SEAL <p>DocuSigned by: Dinesh C. Sarkar</p>
	PLAN DATE: OCTOBER 2017 DESIGNED BY: K.C. DURIGON PREPARED BY: N. BITTING REVIEWED BY: D.C. SARKAR	REVISIONS INIT. DATE	