

STATE OF
NORTH CAROLINA
DEPT. OF TRANSPORTATION
DIVISION OF HIGHWAYS
RALEIGH, N.C.

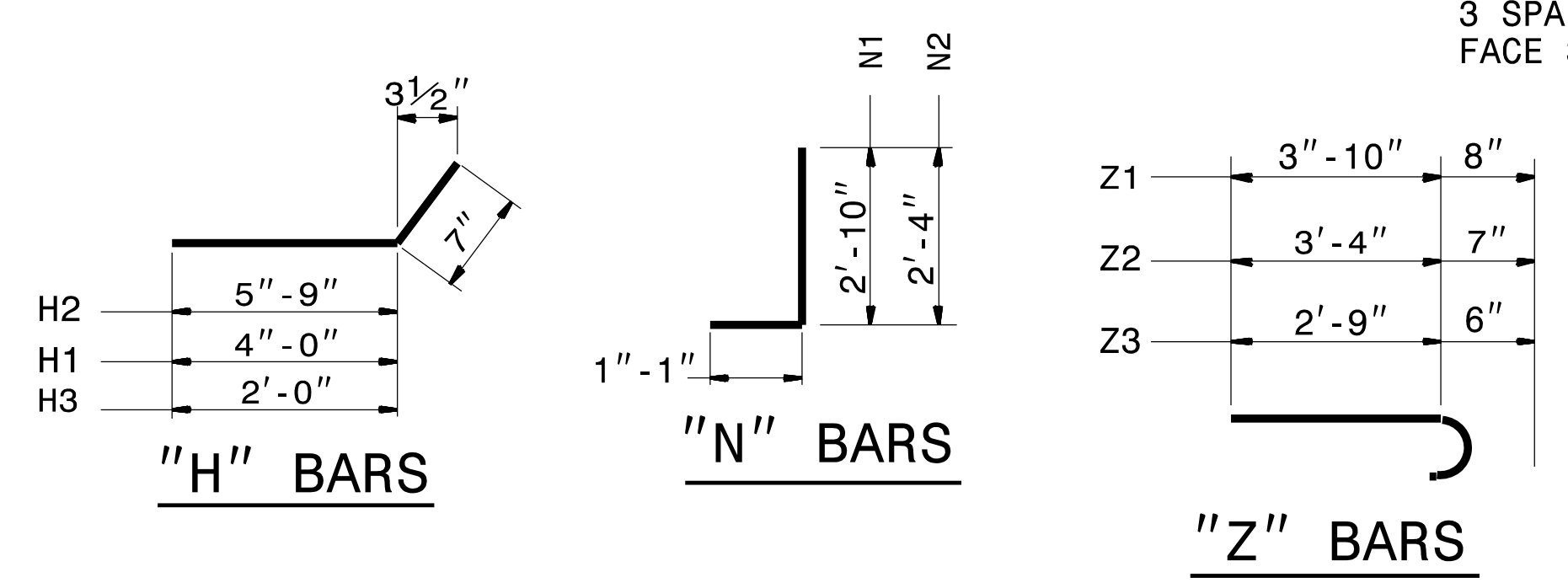
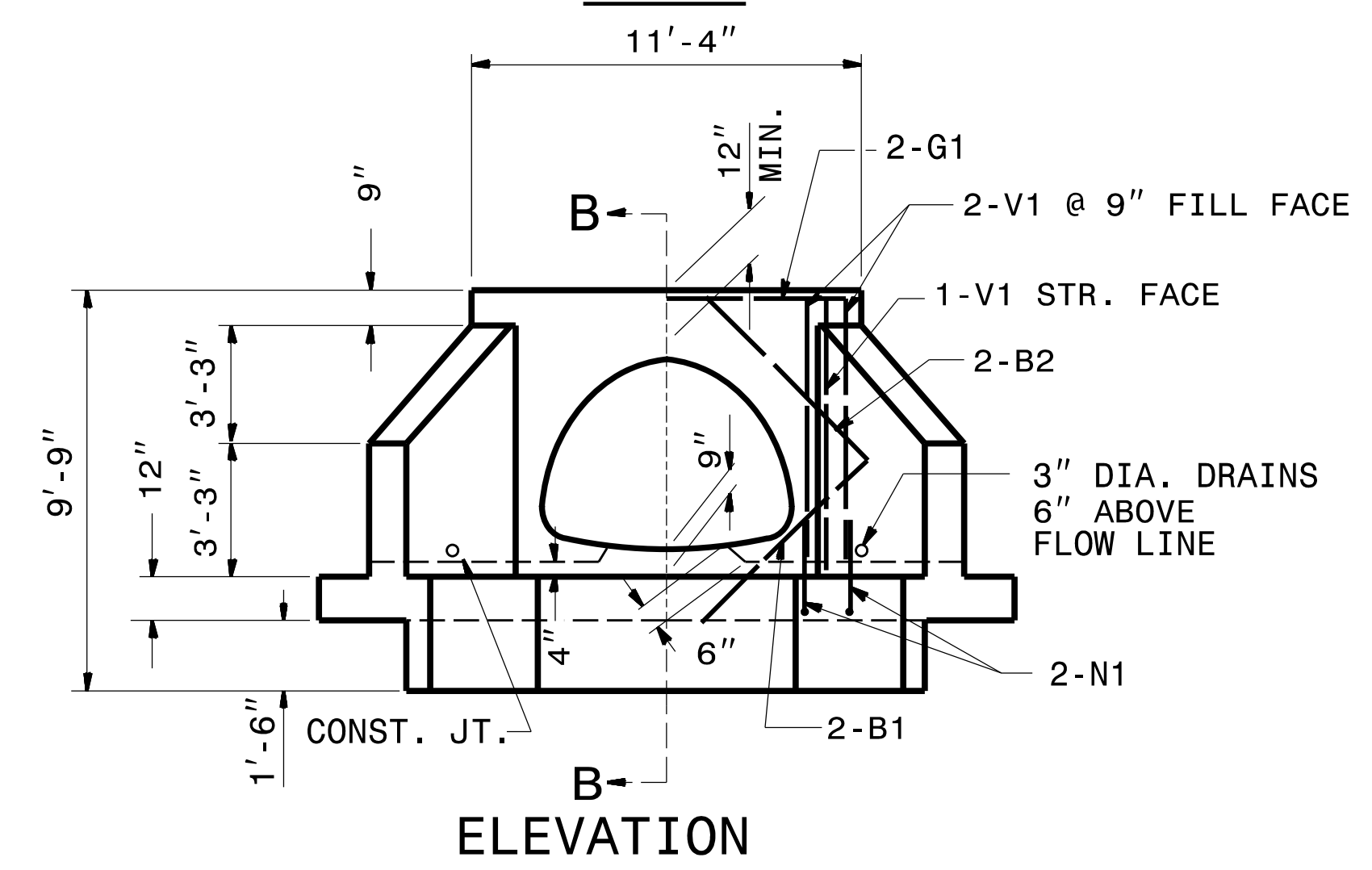
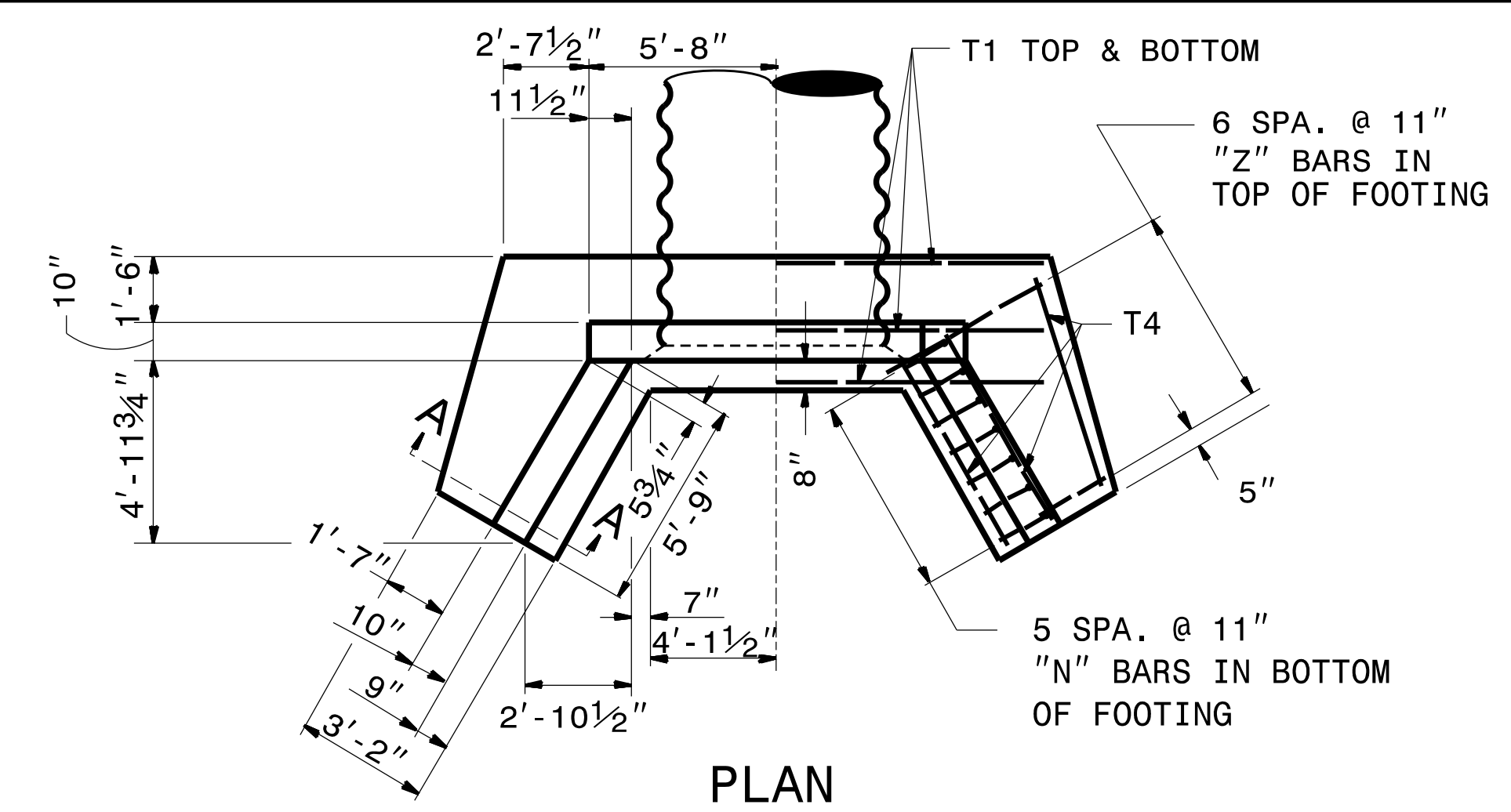
ENGLISH DETAIL DRAWING FOR
REINFORCED CONCRETE ENDWALL
FOR 87" X 63" ARCH PIPE - 90° SKEW

SHEET 1 OF 1
838D33

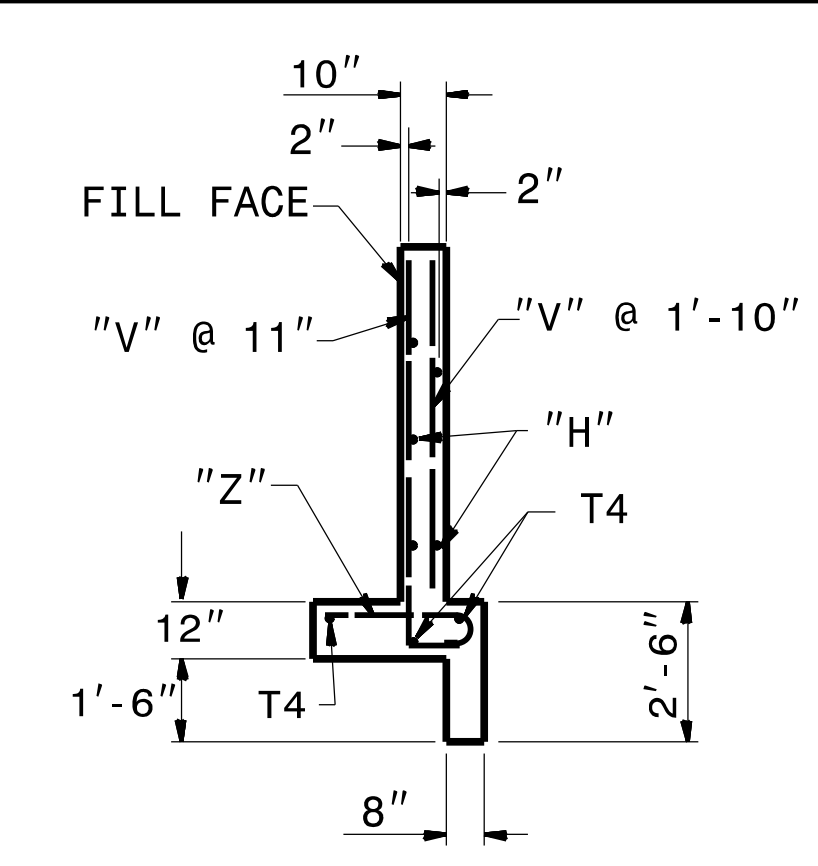
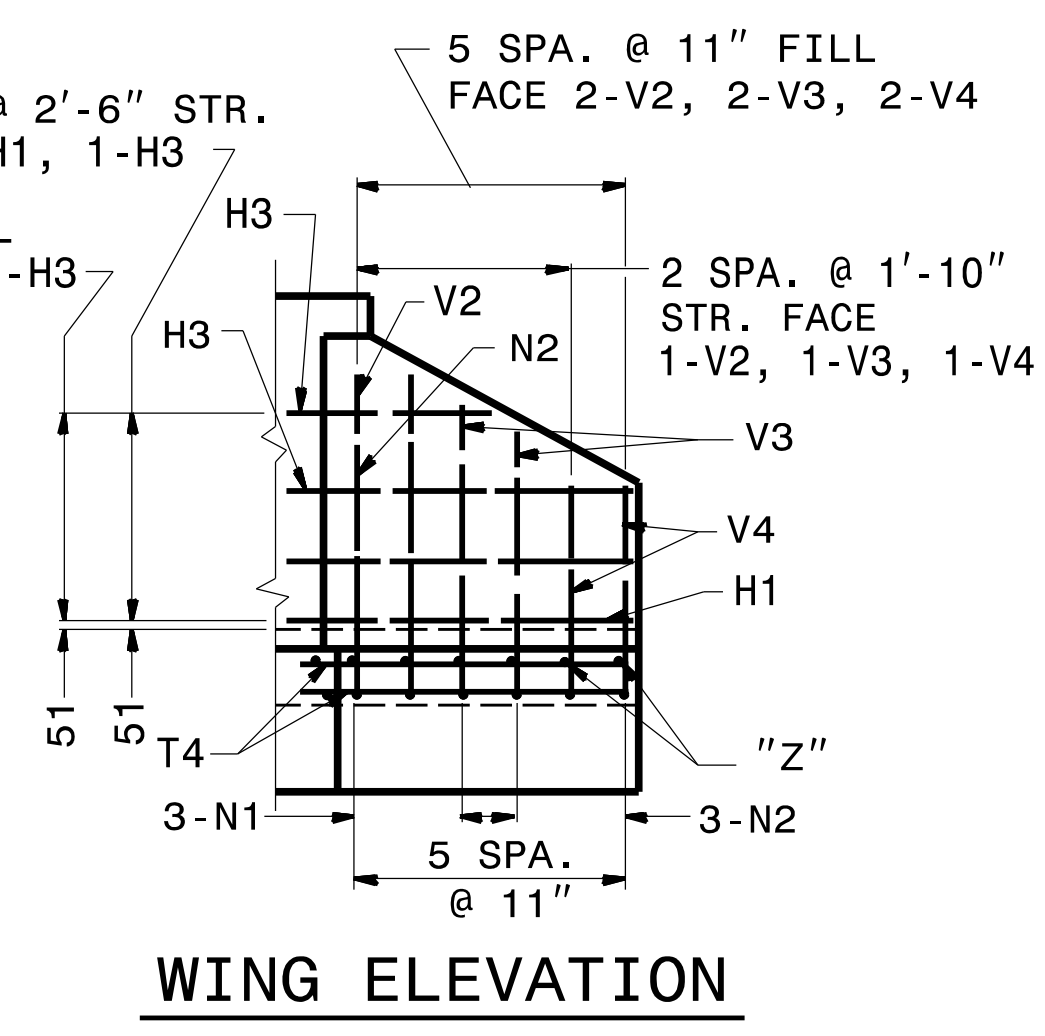
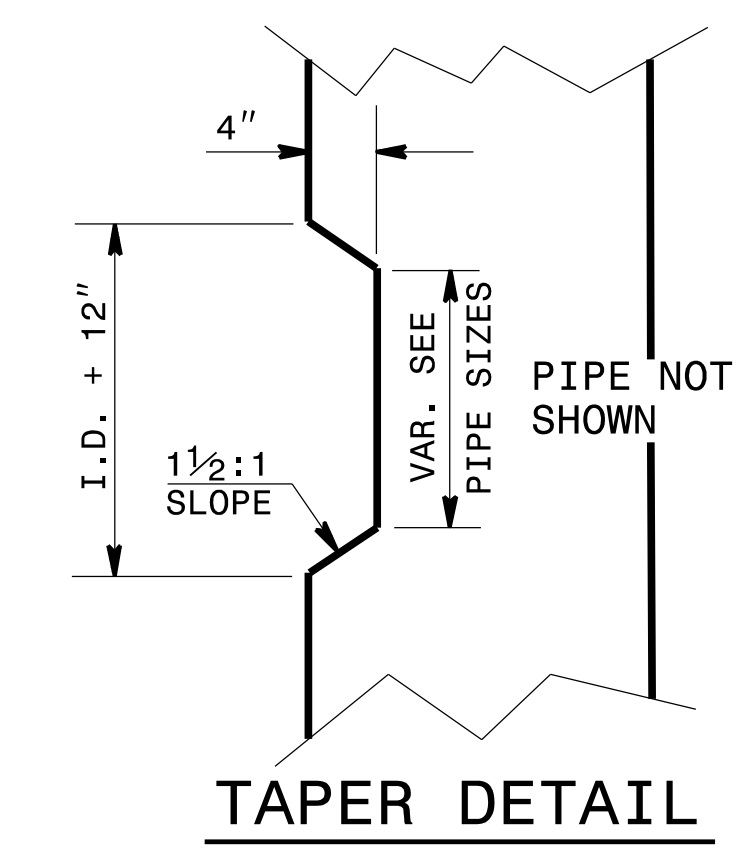
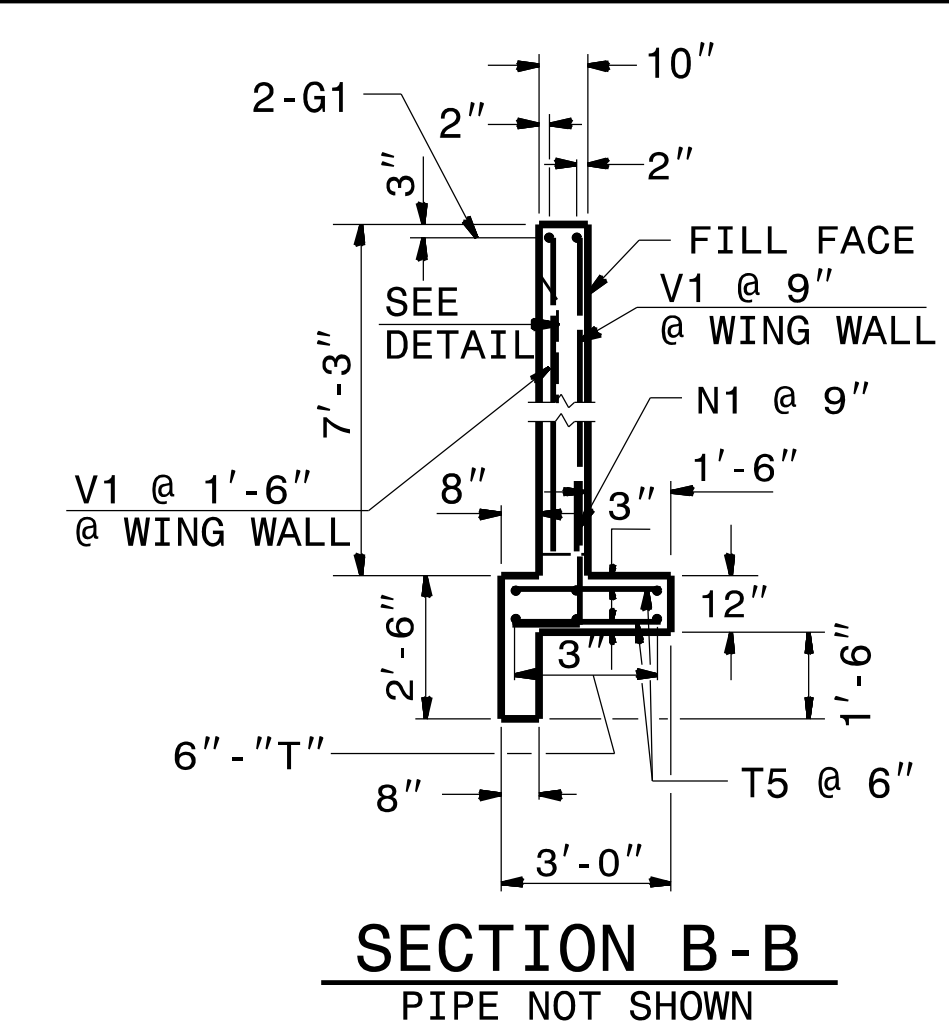
STATE OF
NORTH CAROLINA
DEPT. OF TRANSPORTATION
DIVISION OF HIGHWAYS
RALEIGH, N.C.

ENGLISH DETAIL DRAWING FOR
REINFORCED CONCRETE ENDWALL
FOR 87" X 63" ARCH PIPE - 90° SKEW

SHEET 1 OF 1
838D33



"H", "N", & "Z" BAR DIMENSIONS
ARE OUT TO OUT.



SECTION A-A
SEE STD. 838.45 FOR GENERAL NOTES.

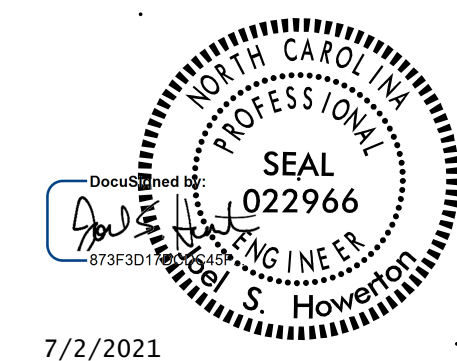
BILL OF MATERIAL FOR ENDWALL				
REINF. STEEL			1 PIPE	
BAR	SIZE	LENGTH	NO.	WEIGHT
B1	#4	5'-6"	4	15
B2	#4	4'-6"	4	12
G1	#7	11'-5 1/2"	2	47
H1	#4	6'-4"	10	42
H2	#4	4'-7"	2	6
H3	#4	2'-7"	4	7
N1	#5	3'-11"	10	41
N2	#4	3'-5"	6	14
T1	#4	15'-11 1/2"	6	64
T4	#4	6"-0"	6	24
T5	#4	2'-6"	38	63
V1	#4	6'-9"	6	27
V2	#4	5'-2"	6	21
V3	#4	4'-1"	6	16
V4	#4	2'-11"	6	12
Z1	#6	4'-6"	6	41
Z2	#5	3'-11"	4	16
Z3	#4	3'-3"	4	9
REINF. STEEL LBS.				477
CON./C.S. CU. YDS				7.5

DOCUMENT NOT CONSIDERED FINAL
UNLESS ALL SIGNATURES COMPLETED

CONTRACT STANDARDS & DEVELOPMENT UNIT
STANDARDS AND SPECIAL DESIGN
Office 919-707-6950 FAX 919-250-4119

SEE PLATE FOR TITLE

ORIGINAL BY: _____ DATE: _____
MODIFIED BY: k Kempf DATE: 4-30-15
CHECKED BY: _____ DATE: _____
FILE SPEC.: jhowerton/Pipe Arch Endwall 87x63 90 skew.dgn



7/2/2021

5/10/2021 5:47:25 PM C:\Users\jhowerton\Documents\838D33.dgn