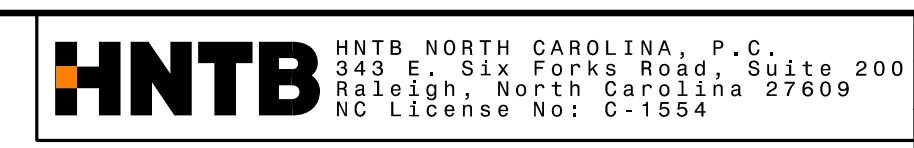


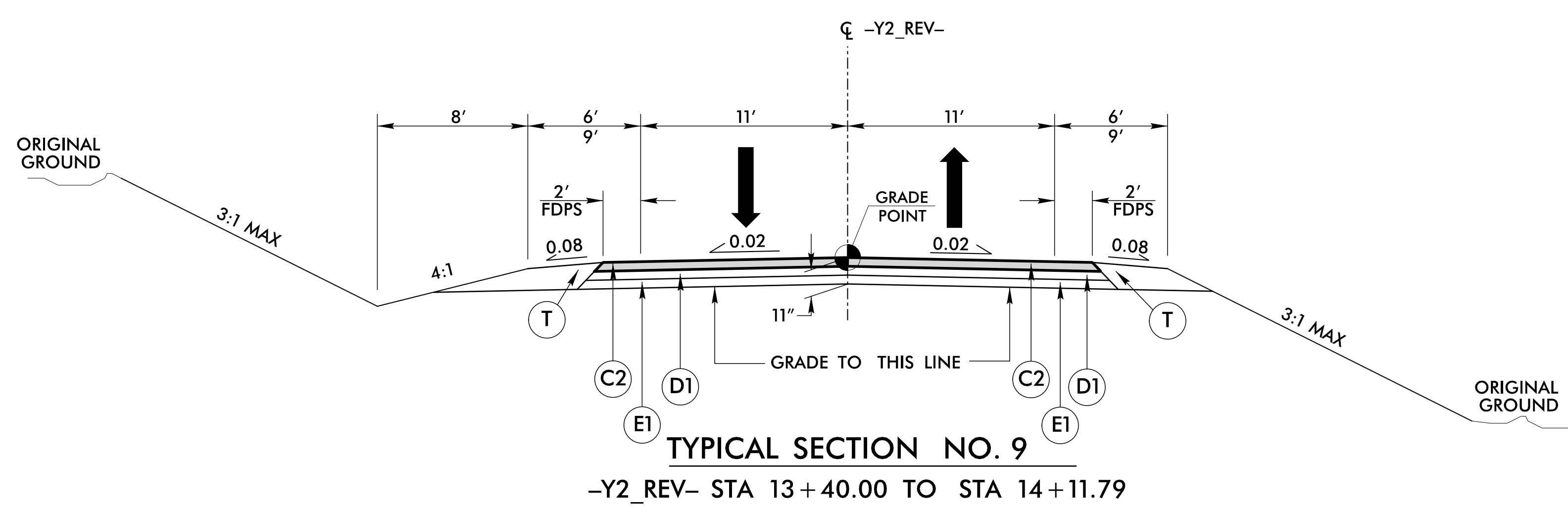
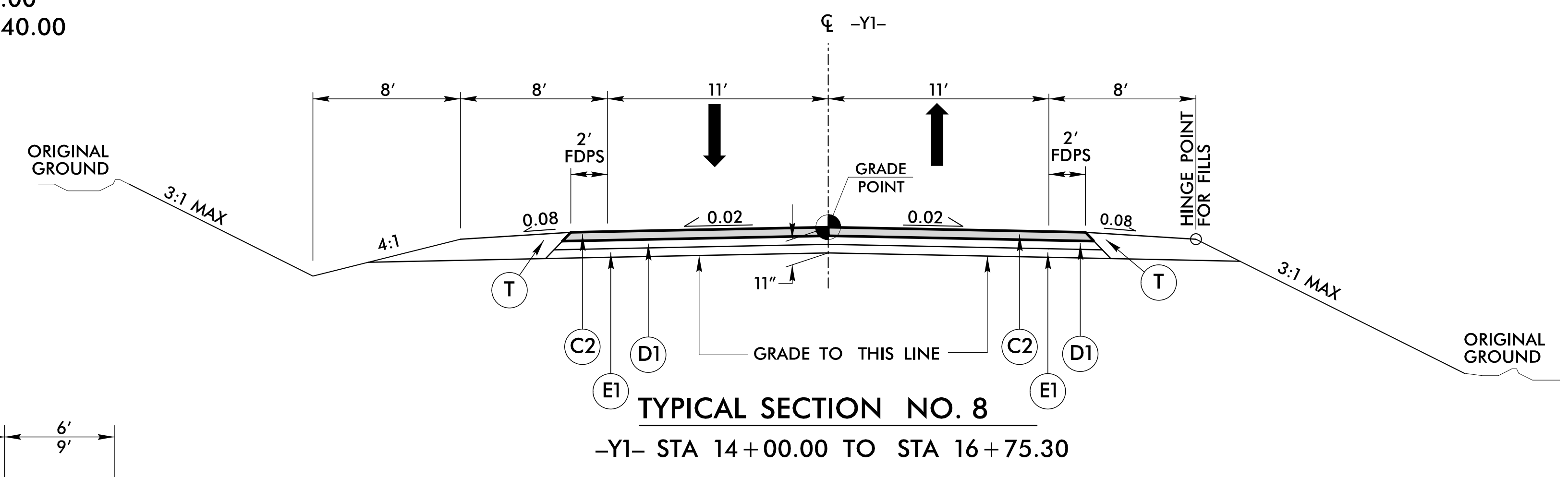
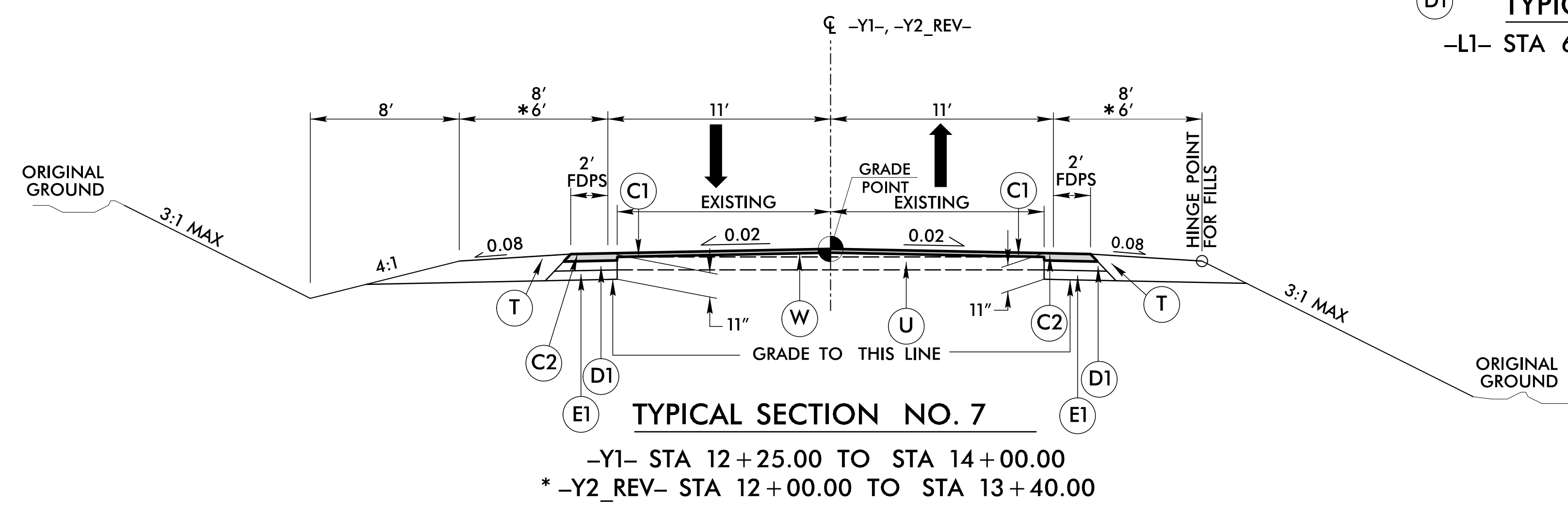
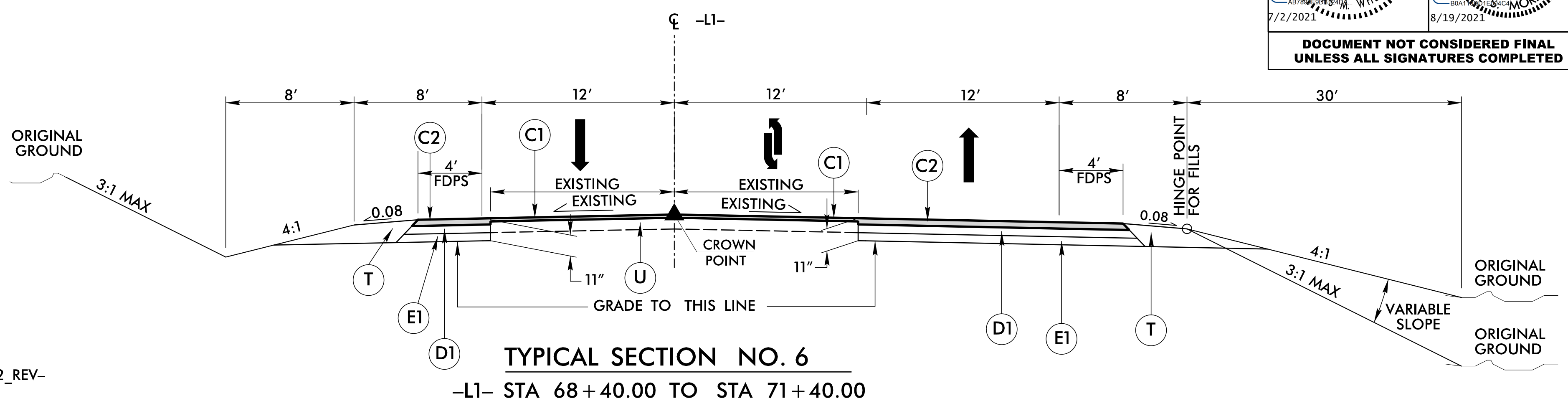
6/2/2021

FINAL PAVEMENT DESIGN

C1	PROP. 1½" ACSC, TYPE S9.5B	J1	PROP. 6" ABC
C2	PROP. 3" ACSC, TYPE S9.5B	R1	2'-6" CONCRETE CURB AND GUTTER.
C3	PROP. VAR. DEPTH ACSC, TYPE S9.5B	T	EARTH MATERIAL.
D1	PROP. 4" ACIC, TYPE I19.0C	U	EXISTING PAVEMENT.
D2	PROP. VAR. DEPTH ACIC, TYPE I19.0C	V1	MILLING - 1 1/2" DEPTH.
E1	PROP. 4" ACBC, TYPE B25.0C	W	VARIABLE DEPTH ASPHALT PAVEMENT (SEE STANDARD WEDGING DETAIL SHEET No. 2A-1)
E2	PROP. VAR. DEPTH ACBC, TYPE B25.0C	NOTE: PAVEMENT EDGE SLOPES ARE 1:1 UNLESS SHOWN OTHERWISE.	



PROJECT REFERENCE NO. U-4906	SHEET NO. 2A-3
ROADWAY DESIGN ENGINEER <i>[Signature]</i>	PAVEMENT DESIGN ENGINEER <i>[Signature]</i>
<i>[Professional Seal]</i>	<i>[Professional Seal]</i>
DOCUMENT NOT CONSIDERED FINAL UNLESS ALL SIGNATURES COMPLETED	



15-JUN-2021 13:22
[Roadway] \[Proj] \u4906_r.dwg_tup.dgn
HNTB