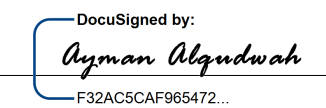
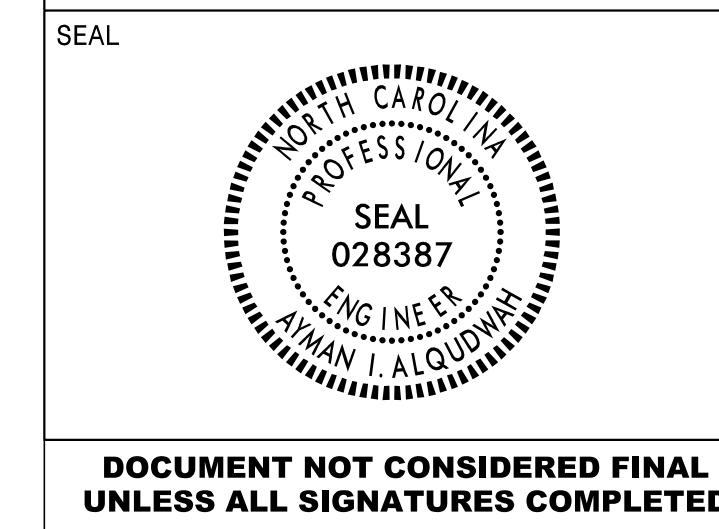
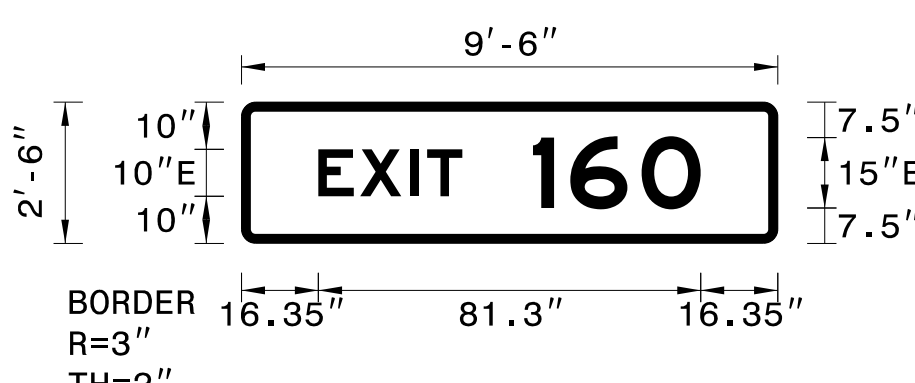


APPROVED: 
DATE: 7/26/2021



SIGN NUMBER: 101A, 106A, 108A, 122A BACKG COLOR: Green
TYPE: B COPY COLOR: White
QUANTITY: 4
SIGN WIDTH: 9'-6"
HEIGHT: 2'-6"
TOTAL AREA: 23.8 Sq.Ft.
BORDER TYPE: FLUSH
RECESS: 0"
WIDTH: 2"
RADII: 3"
NO. Z BARS: 2
LENGTH: 106.0
MAT'L: 0.125" (3.2 mm) ALUMINUM

DESIGN BY: S.Johns CHECKED BY: A. Alqudwah
PROJECT ID: I-5932A LOCATION: I-95 - Halifax Co. Jun 17, 2021
DIV: 4



USE NOTES:
1. Legend and border(except those that are colored black) shall be direct applied Grade C sheeting.
2. Background shall be Grade C reflective sheeting.
3. Shields; A, B, and C type arrows shall be on 0.032" (0.8mm) aluminum and demountable.

Spacing Factor is 1 unless specified otherwise

LETTER POSITIONS

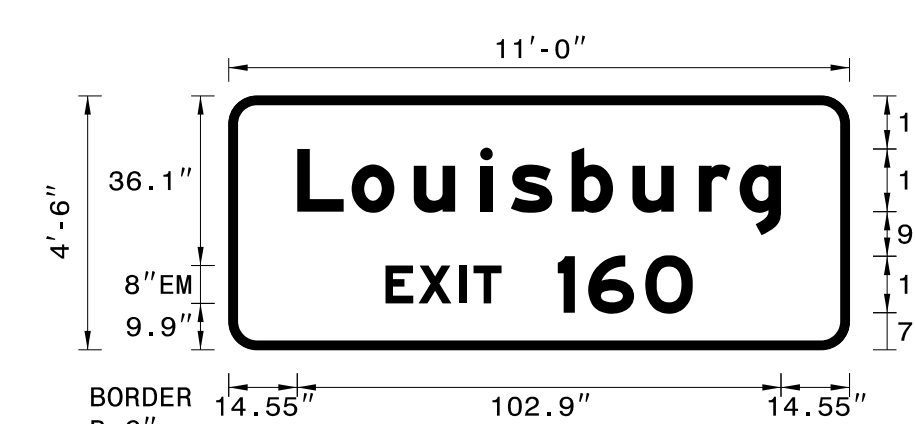
Letter spacings are to start of next letter

Series/Size	Text Length
E 2000	81.3

FILENAME: I-95_Exits 154 to Exit 168 Sign Design NORTH CAROLINA D.O.T. SIGN DETAIL

SIGN NUMBER: 107
TYPE: B BACKG COLOR: Green
COPY COLOR: White
QUANTITY: 1
SIGN WIDTH: 11'-0"
HEIGHT: 4'-6"
TOTAL AREA: 49.5 Sq.Ft.
BORDER TYPE: FLUSH
RECESS: 0"
WIDTH: 2"
RADII: 6"
NO. Z BARS: 2
LENGTH: 124.0
MAT'L: 0.125" (3.2 mm) ALUMINUM

DESIGN BY: S.Johns CHECKED BY: A. Alqudwah
PROJECT ID: I-5932A LOCATION: I-95 - Halifax Co. Jun 16, 2021
DIV: 4



USE NOTES:
1. Legend and border(except those that are colored black) shall be direct applied Grade C sheeting.
2. Background shall be Grade C reflective sheeting.
3. Shields; A, B, and C type arrows shall be on 0.032" (0.8mm) aluminum and demountable.

Spacing Factor is 1 unless specified otherwise

LETTER POSITIONS

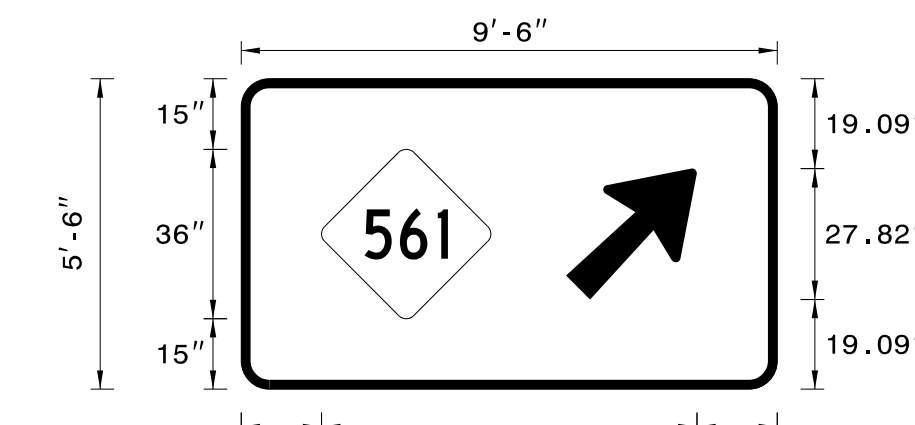
Letter spacings are to start of next letter

Series/Size	Text Length
EM 2000	102.9
EM 2000	65.3

FILENAME: I-95_Exits 154 to Exit 168 Sign Design NORTH CAROLINA D.O.T. SIGN DETAIL

SIGN NUMBER: 101B, 106B
TYPE: A BACKG COLOR: Green
COPY COLOR: White
QUANTITY: 2
SIGN WIDTH: 9'-6"
HEIGHT: 5'-6"
TOTAL AREA: 52.3 Sq.Ft.
BORDER TYPE: FLUSH
RECESS: 0"
WIDTH: 2"
RADII: 6"
NO. Z BARS: 2
LENGTH: 106.0
MAT'L: 0.125" (3.2 mm) ALUMINUM

DESIGN BY: S.Johns CHECKED BY: A. Alqudwah
PROJECT ID: I-5932A LOCATION: I-95 - Halifax Co. Jun 16, 2021
DIV: 4



USE NOTES:
1. Legend and border(except those that are colored black) shall be direct applied Grade C sheeting.
2. Background shall be Grade C reflective sheeting.
3. Shields; A, B, and C type arrows shall be on 0.032" (0.8mm) aluminum and demountable.

Spacing Factor is 1 unless specified otherwise

LETTER POSITIONS

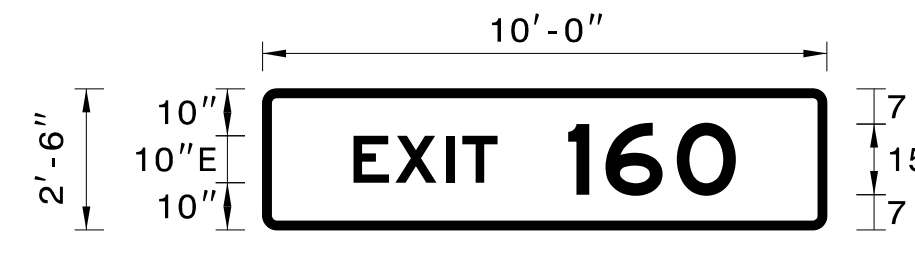
Letter spacings are to start of next letter

Series/Size	Text Length
E 2000	81.3

FILENAME: I-95_Exits 154 to Exit 168 Sign Design NORTH CAROLINA D.O.T. SIGN DETAIL

SIGN NUMBER: 108A
TYPE: B BACKG COLOR: Green
COPY COLOR: White
QUANTITY: 1
SIGN WIDTH: 10'-0"
HEIGHT: 2'-6"
TOTAL AREA: 25.0 Sq.Ft.
BORDER TYPE: FLUSH
RECESS: 0"
WIDTH: 2"
RADII: 3"
NO. Z BARS: 2
LENGTH: 112.0
MAT'L: 0.125" (3.2 mm) ALUMINUM

DESIGN BY: S.Johns CHECKED BY: A. Alqudwah
PROJECT ID: I-5932A LOCATION: I-95 - Halifax Co. Jun 16, 2021
DIV: 4



USE NOTES:
1. Legend and border(except those that are colored black) shall be direct applied Grade C sheeting.
2. Background shall be Grade C reflective sheeting.
3. Shields; A, B, and C type arrows shall be on 0.032" (0.8mm) aluminum and demountable.

Spacing Factor is 1 unless specified otherwise

LETTER POSITIONS

Letter spacings are to start of next letter

Series/Size	Text Length
E 2000	81.3

FILENAME: I-95_Exits 154 to Exit 168 Sign Design NORTH CAROLINA D.O.T. SIGN DETAIL

Q:\26\21\Users\johns\Div 4\I-5932A\I-5932A_Sign_3_3H.dgn
 S:\S&L\Users\johns

SIGN DESIGNS