

09/08/99

See Sheet 1A For Index of Sheets
See Sheet 1B For Conventional Symbols

STATE OF NORTH CAROLINA
DIVISION OF HIGHWAYS

ASHE COUNTY

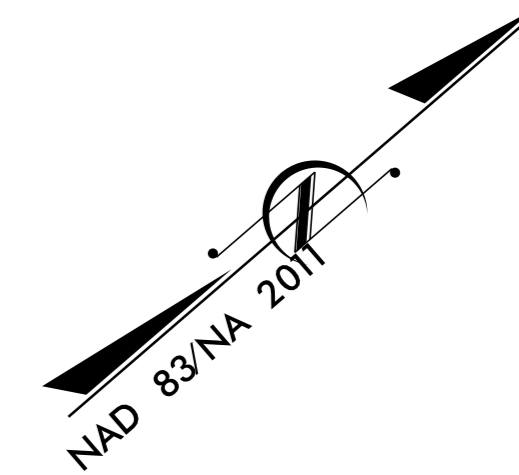
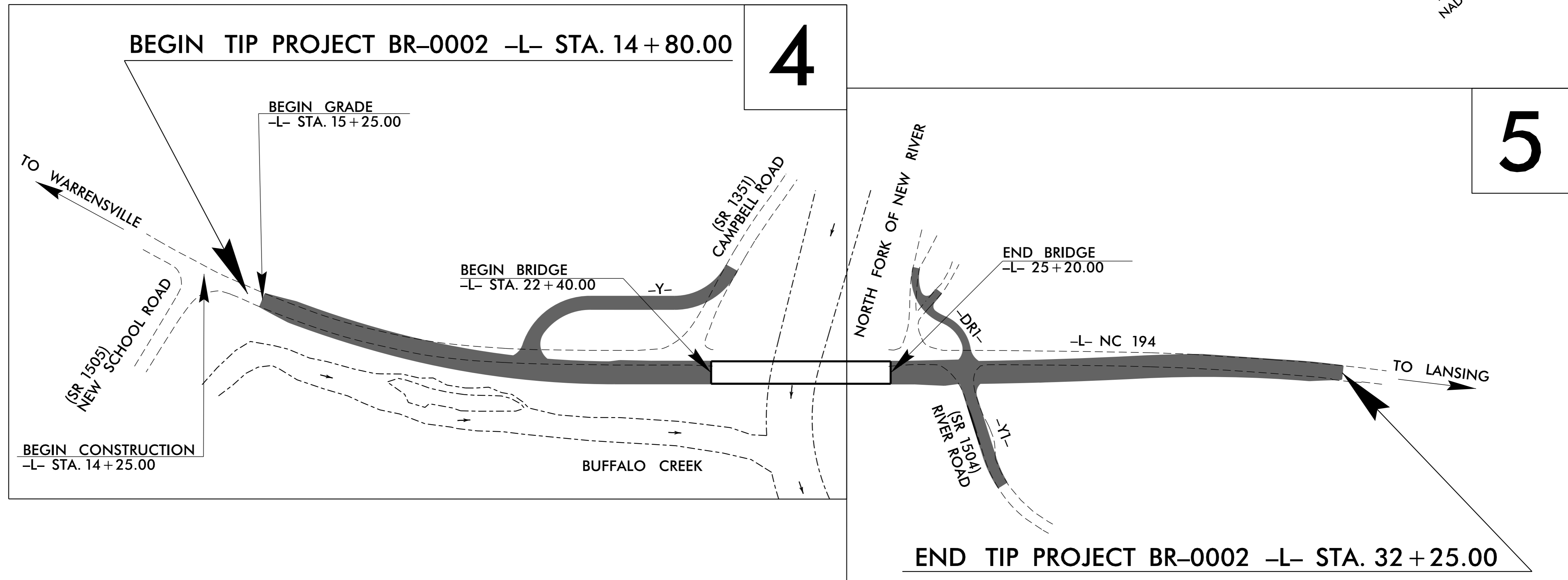
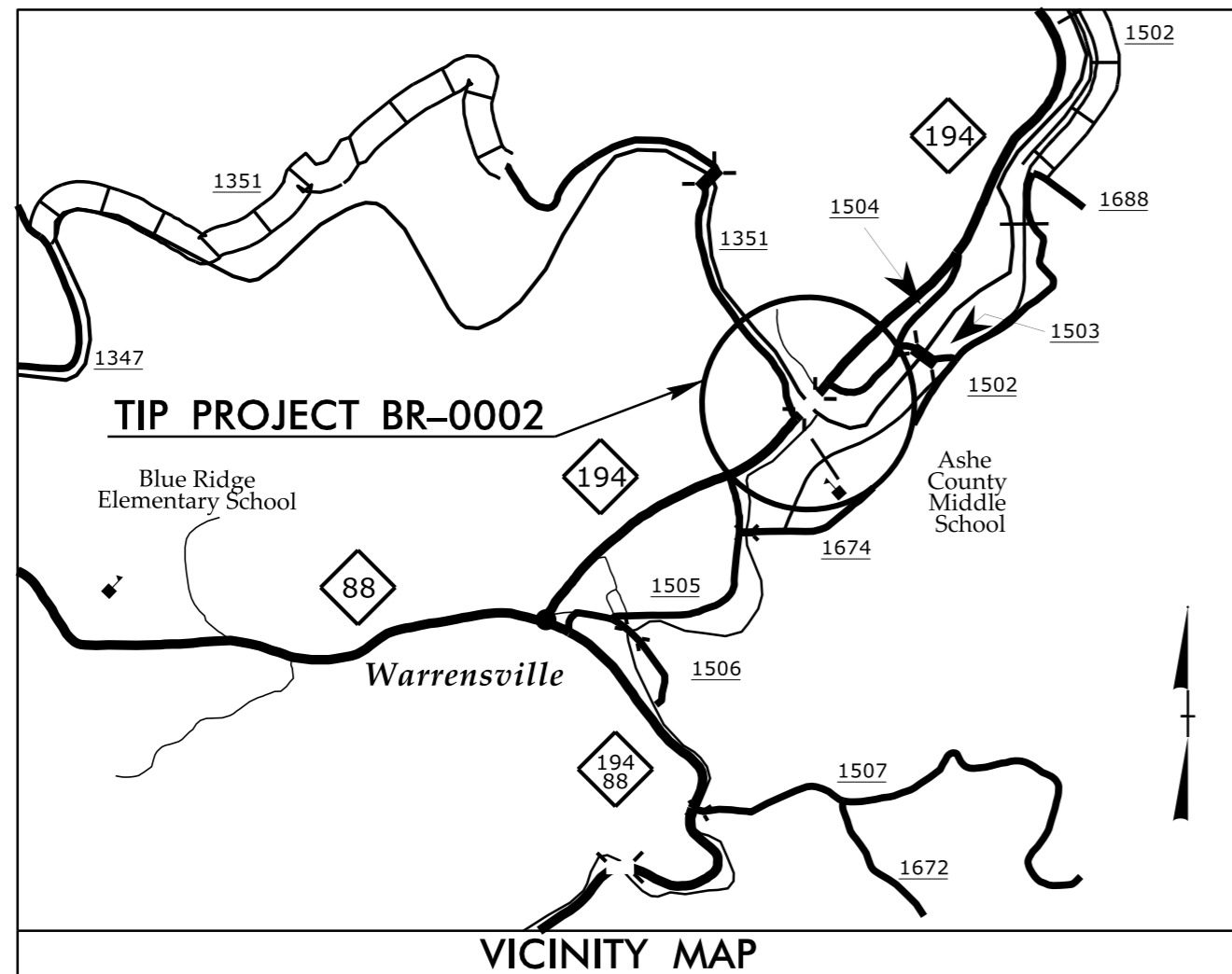
LOCATION: BRIDGE NO. 8 ON NC 194 OVER
NORTH FORK NEW RIVER

TYPE OF WORK: GRADING, DRAINAGE, PAVING AND STRUCTURE

STATE	STATE PROJECT REFERENCE NO.	SHEET NO.	TOTAL SHEETS
N.C.	BR-0002	1	
STATE PROJ. NO.	F.A. PROJ. NO.	DESCRIPTION	
49071.1.1		P.E.	
49071.2.1		ROW	
49071.3.1		CON	

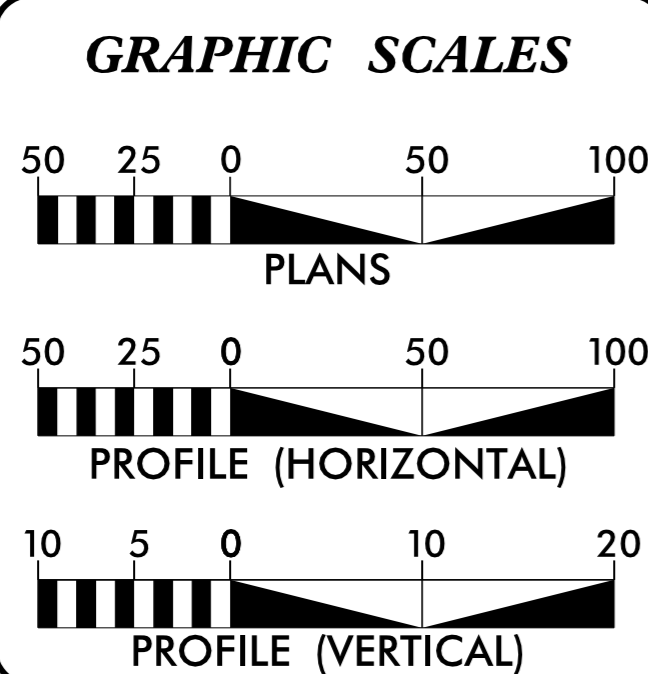
TIP PROJECT: BR-0002

CONTRACT: C204482



THIS IS NOT A CONTROL OF ACCESS FACILITY.

DOCUMENT NOT CONSIDERED FINAL
UNLESS ALL SIGNATURES COMPLETED



DESIGN DATA

ADT 2020 =	4010
ADT 2040 =	4100
K =	12 %
D =	55 %
T =	7 % *
V =	60 MPH
* (TTST = 2%+DUAL = 5%)	
FUNC CLASS =	
MAJOR COLLECTOR	
REGIONAL TIER	

PROJECT LENGTH

LENGTH OF ROADWAY TIP PROJECT BR-0002	=	0.277 MI
LENGTH OF STRUCTURE TIP PROJECT BR-0002	=	0.053 MI
TOTAL LENGTH OF TIP PROJECT BR-0002	=	0.330 MI

Prepared in the Office of:
DIVISION OF HIGHWAYS
1000 Birch Ridge Dr., Raleigh NC, 27610

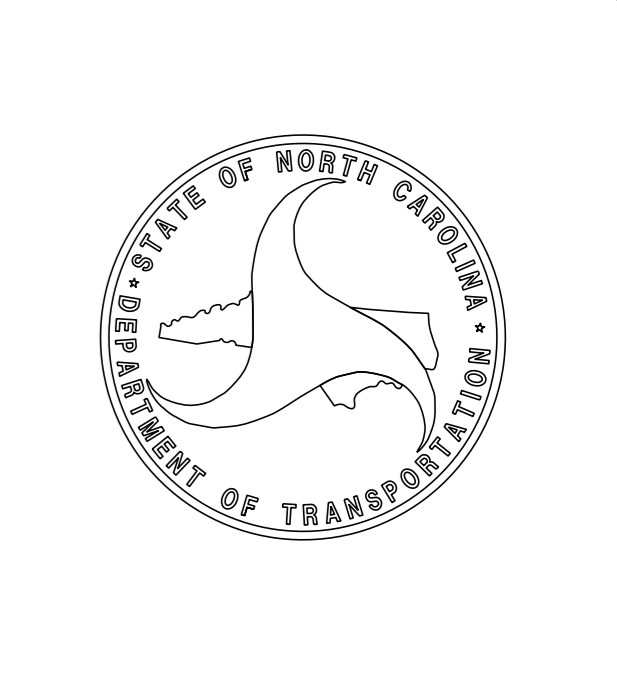
2018 STANDARD SPECIFICATIONS	PROJECT MANAGER
RIGHT OF WAY DATE: DECEMBER 18, 2019	A. KEITH PASCHAL, PE
LETTING DATE: SEPTEMBER 21, 2021	TATIA L. WHITE, PE, PLS
	PIOTR J. STOJDA PROJECT TEAM LEAD

HYDRAULICS ENGINEER
7/28/2021

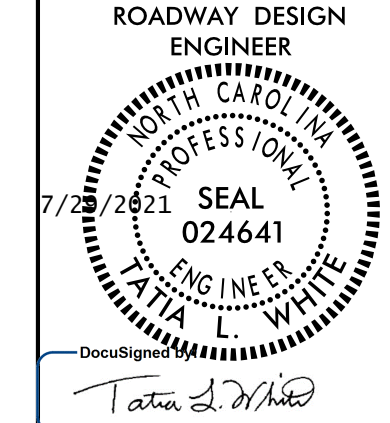
DocuSigned by:
Michelle Berry, P.E.
SIGNATURE:

ROADWAY DESIGN ENGINEER
7/29/2021

DocuSigned by:
Tatia L. White
SIGNATURE:



16-JUL-2021 10:06
R:\Roadway\Proj\BR0002_Rdy_t.sh.dgn
\$\$\$\$\$USERNAME\$\$\$\$\$



**DOCUMENT NOT CONSIDERED FINAL
UNLESS ALL SIGNATURES COMPLETED**

INDEX OF SHEETS

SHEET NUMBER	SHEET
1	TITLE SHEET
1A	INDEX OF SHEETS, GENERAL NOTES, AND STANDARD DRAWINGS
1B	CONVENTIONAL SYMBOLS
2A-1 THROUGH 2A-3	TYPICAL SECTIONS, PAVEMENT SCHEDULE, WEDGING DETAILS AND STAGING CONCEPT
2C-1	DETAIL OF GUARDRAIL INSTALLATION
2C-2	DETAIL OF AT-1 END UNIT
2G-1 THROUGH 2G-4	DETAILS OF TEMPORARY SHORING
3B-1	SUMMARY OF EARTHWORK,
3B-2	SUMMARY OF ASPHALT PAVEMENT REMOVAL, SUMMARY OF GUARDRAIL AND SUMMARY OF SHOULDER BERM GUTTER
3D-1	SUMMARY OF DRAINAGE QUANTITIES
3G-1	SUMMARY OF SUBSURFACE DRAINAGE, SUMMARY OF AGGREGATE SUBGRADE STABILIZATION AND SUMMARY OF PRE-SPLITTING OF ROCK
3P-1	PARCEL INDEX
4 THROUGH 5	PLAN SHEETS
6 THROUGH 7	PROFILE SHEETS
RW01 THROUGH RW05	RIGHT OF WAY PLANS
TMP-1 THROUGH TMP-8	TRANSPORTATION MANAGEMENT PLANS
PMP-1 THROUGH PMP-2	PAVEMENT MARKING PLANS
EC-1 THROUGH EC-7	EROSION CONTROL PLANS
RF-1	REFORESTATION DETAIL SHEET
SIGN-1 THROUGH SIGN-3	SIGNING PLANS
UO-1 THROUGH UO-5	UTILITIES BY OTHERS PLANS
X-1	INDEX OF CROSS SECTIONS
X-1A	CROSS SECTION SUMMARY
X-2 THROUGH X-33	CROSS SECTIONS

GENERAL NOTES

GENERAL NOTES: 2018 SPECIFICATIONS EFFECTIVE: 01-16-2018 REVISED:

GRADE LINE: GRADING AND SURFACING:
THE GRADE LINES SHOWN DENOTE THE FINISHED ELEVATION OF THE PROPOSED SURFACING AT GRADE POINTS SHOWN ON THE TYPICAL SECTIONS. GRADE LINES MAY BE ADJUSTED AT THEIR BEGINNING AND ENDING AND AT STRUCTURES AS DIRECTED BY THE ENGINEER IN ORDER TO SECURE A PROPER TIE-IN.

CLEARING:
CLEARING ON THIS PROJECT SHALL BE PERFORMED TO THE LIMITS ESTABLISHED BY METHOD III.

SUPERELEVATION:
ALL CURVES ON THIS PROJECT SHALL BE SUPERELEVATED IN ACCORDANCE WITH STD. NO. 225.04 USING THE RATE OF SUPERELEVATION AND RUNOFF SHOWN ON THE PLANS. SUPERELEVATION IS TO BE REVOLVED ABOUT THE GRADE POINTS SHOWN ON THE TYPICAL SECTIONS.

SHOULDER CONSTRUCTION:
ASPHALT, EARTH, AND CONCRETE SHOULDER CONSTRUCTION ON THE HIGH SIDE OF SUPERELEVATED CURVES SHALL BE IN ACCORDANCE WITH STD. NO. 560.01

SIDE ROADS:
THE CONTRACTOR WILL BE REQUIRED TO DO ALL NECESSARY WORK TO PROVIDE SUITABLE CONNECTIONS WITH ALL ROADS, STREETS, AND DRIVES ENTERING THIS PROJECT. THIS WORK WILL BE PAID FOR AT THE CONTRACT UNIT PRICE FOR THE PARTICULAR ITEMS INVOLVED.

SUBSURFACE DRAINS:
SUBSURFACE DRAINS SHALL BE CONSTRUCTED IN ACCORDANCE WITH STD. NO. 815.02 AT LOCATIONS DIRECTED BY THE ENGINEER.

GUARDRAIL:
THE GUARDRAIL LOCATIONS SHOWN ON THE PLANS MAY BE ADJUSTED DURING CONSTRUCTION AS DIRECTED BY THE ENGINEER. THE CONTRACTOR SHOULD CONSULT WITH THE ENGINEER PRIOR TO ORDERING GUARDRAIL MATERIAL.

TEMPORARY SHORING:
SHORING REQUIRED FOR THE MAINTENANCE OF TRAFFIC NOT SHOWN ON THE PLANS WILL BE PAID FOR AT THE CONTRACT PRICE FOR "TEMPORARY SHORING".

UTILITIES:
UTILITY OWNERS ON THIS PROJECT ARE Blue Ridge Energy; Morris Broadband, LLC; SkyLine/SkyBest
ANY RELOCATION OF EXISTING UTILITIES WILL BE ACCOMPLISHED BY OTHERS.

RIGHT-OF-WAY MARKERS:
ALL RIGHT-OF-WAY MARKERS ON THIS PROJECT SHALL BE PLACED BY OTHERS.

STANDARD DRAWINGS

2018 ROADWAY ENGLISH STANDARD DRAWINGS
EFF. 01-16-2018 REV.

The following Roadway Standards as appear in "Roadway Standard Drawings" Highway Design Branch - N. C. Department of Transportation - Raleigh, N. C., Dated January, 2018 are applicable to this project and by reference hereby are considered a part of these plans:

STD. NO. TITLE

DIVISION 2 - EARTHWORK
200.03 Method of Clearing - Method III
225.02 Guide for Grading Subgrade - Secondary and Local
225.04 Method of Obtaining Superelevation - Two Lane Pavement
275.01 Rock Plating

DIVISION 3 - PIPE CULVERTS
300.01 Method of Pipe Installation
310.10 Driveway Pipe Construction

DIVISION 4 - MAJOR STRUCTURES
422.01 Bridge Approach Fills - Type I Standard Approach Fill
422.03 Reinforced Bridge Approach Fills - Type A Alternate Approach Fill for Integral Abutment

DIVISION 5 - SUBGRADE, BASES AND SHOULDERS
560.01 Method of Shoulder Construction - High Side of Superelevated Curve - Method I

DIVISION 8 - INCIDENTALS
815.02 Subsurface Drain
838.01 Concrete Endwall for Single and Double Pipe Culverts - 15" thru 48" Pipe 90 Skew
838.11 Brick Endwall for Single and Double Pipe Culverts - 15" thru 48" Pipe 90 Skew
838.80 Precast Endwalls - 12" thru 72" Pipe 90 Skew
840.00 Concrete Base Pad for Drainage Structures
840.13 Concrete Bridge Approach Drop Inlet - 12" thru 24" Pipe
840.17 Concrete Grated Drop Inlet Type 'A' - 12" thru 72" Pipe
840.18 Concrete Grated Drop Inlet Type 'B' - 12" thru 36" Pipe
840.19 Concrete Grated Drop Inlet Type 'D' - 12" thru 36" Pipe
840.24 Frames and Narrow Slot Sag Grates
840.26 Brick Grated Drop Inlet Type 'A' - 12" thru 72" Pipe
840.27 Brick Grated Drop Inlet Type 'B' - 12" thru 36" Pipe
840.28 Brick Grated Drop Inlet Type 'D' - 12" thru 36" Pipe
840.29 Frames and Narrow Slot Flat Grates
840.31 Concrete Junction Box - 12" thru 66" Pipe
840.32 Brick Junction Box - 12" thru 66" Pipe
840.35 Traffic Bearing Grated Drop Inlet - for Cast Iron Double Frame and Grates
840.45 Precast Drainage Structure
840.46 Traffic Bearing Precast Drainage Structure
840.51 Brick Manhole - 12" thru 36" Pipe
840.52 Precast Manhole - 4', 5' and 6' Diameter
840.53 Precast Manhole with Masonry Base - 12" thru 42" Pipe
840.66 Drainage Structure Steps
846.02 Drop Inlet Installation in Expressway Gutter
846.04 Drop Inlet Installation in Shoulder Berm Gutter
862.01 Guardrail Placement
862.02 Guardrail Installation
862.03 Structure Anchor Units
862.04 Anchoring End of Guardrail - B-77 and B-83 Anchor Units
876.01 Rip Rap in Channels
876.02 Guide for Rip Rap at Pipe Outlets
876.04 Drainage Ditches with Class 'B' Rip Rap

STATE OF NORTH CAROLINA, DIVISION OF HIGHWAYS CONVENTIONAL PLAN SHEET SYMBOLS

BOUNDARIES AND PROPERTY:

State Line	-----
County Line	-----
Township Line	-----
City Line	-----
Reservation Line	-----
Property Line	-----
Existing Iron Pin	○ EIP
Computed Property Corner	----->
Property Monument	□ EDM
Parcel/Sequence Number	⑫③
Existing Fence Line	-x-x-x-
Proposed Woven Wire Fence	○
Proposed Chain Link Fence	□
Proposed Barbed Wire Fence	◇
Existing Wetland Boundary	-----MLB
Proposed Wetland Boundary	-----MLB
Existing Endangered Animal Boundary	-----EAB
Existing Endangered Plant Boundary	-----EPB
Existing Historic Property Boundary	-----HPB
Known Contamination Area: Soil	☠-S-☠
Potential Contamination Area: Soil	??-S-??
Known Contamination Area: Water	☠-W-☠
Potential Contamination Area: Water	??-W-??
Contaminated Site: Known or Potential	☠??

BUILDINGS AND OTHER CULTURE:

Gas Pump Vent or U/G Tank Cap	○
Sign	○ S
Well	○ W
Small Mine	✕
Foundation	□
Area Outline	□
Cemetery	□
Building	□
School	□
Church	□
Dam	□

HYDROLOGY:

Stream or Body of Water	-----
Hydro, Pool or Reservoir	-----
Jurisdictional Stream	-----JS
Buffer Zone 1	-----BZ 1
Buffer Zone 2	-----BZ 2
Flow Arrow	←
Disappearing Stream	-----
Spring	○
Wetland	-----
Proposed Lateral, Tail, Head Ditch	-----
False Sump	-----

RAILROADS:

Standard Gauge	-----
RR Signal Milepost	○ MILEPOST 35
Switch	□ SWITCH
RR Abandoned	-----
RR Dismantled	-----

RIGHT OF WAY & PROJECT CONTROL:

Secondary Horiz and Vert Control Point	◆
Primary Horiz Control Point	○
Primary Horiz and Vert Control Point	●
Exist Permanent Easement Pin and Cap	◇
New Permanent Easement Pin and Cap	◆
Vertical Benchmark	⊠
Existing Right of Way Marker	△
Existing Right of Way Line	-----
New Right of Way Line	-----
New Right of Way Line with Pin and Cap	-----
New Right of Way Line with Concrete or Granite RW Marker	-----
New Control of Access Line with Concrete C/A Marker	-----
Existing Control of Access	-----
New Control of Access	-----
Existing Easement Line	-----E
New Temporary Construction Easement	-----E
New Temporary Drainage Easement	-----TDE
New Permanent Drainage Easement	-----PDE
New Permanent Drainage / Utility Easement	-----DUE
New Permanent Utility Easement	-----PUE
New Temporary Utility Easement	-----TUE
New Aerial Utility Easement	-----AUE

ROADS AND RELATED FEATURES:

Existing Edge of Pavement	-----
Existing Curb	-----
Proposed Slope Stakes Cut	-----C
Proposed Slope Stakes Fill	-----F
Proposed Curb Ramp	-----CR
Existing Metal Guardrail	-----
Proposed Guardrail	-----
Existing Cable Guiderail	-----
Proposed Cable Guiderail	-----
Equality Symbol	⊕
Pavement Removal	-----

VEGETATION:

Single Tree	☼
Single Shrub	☼

Note: Not to Scale

*S.U.E. = Subsurface Utility Engineering

Hedge	-----
Woods Line	-----
Orchard	-----
Vineyard	-----

EXISTING STRUCTURES:

MAJOR:	
Bridge, Tunnel or Box Culvert	-----CONC
Bridge Wing Wall, Head Wall and End Wall	-----CONC WW
MINOR:	
Head and End Wall	-----CONC HW
Pipe Culvert	-----
Footbridge	-----
Drainage Box: Catch Basin, DI or JB	□ CB
Paved Ditch Gutter	-----
Storm Sewer Manhole	○ S
Storm Sewer	-----S

UTILITIES:

POWER:	
Existing Power Pole	●
Proposed Power Pole	○
Existing Joint Use Pole	●
Proposed Joint Use Pole	○
Power Manhole	⊕
Power Line Tower	⊠
Power Transformer	⊠
U/G Power Cable Hand Hole	-----
H-Frame Pole	●
U/G Power Line LOS B (S.U.E.*)	-----P
U/G Power Line LOS C (S.U.E.*)	-----P
U/G Power Line LOS D (S.U.E.*)	-----P

TELEPHONE:

Existing Telephone Pole	●
Proposed Telephone Pole	○
Telephone Manhole	⊕
Telephone Pedestal	⊠
Telephone Cell Tower	⊠
U/G Telephone Cable Hand Hole	-----
U/G Telephone Cable LOS B (S.U.E.*)	-----T
U/G Telephone Cable LOS C (S.U.E.*)	-----T
U/G Telephone Cable LOS D (S.U.E.*)	-----T
U/G Telephone Conduit LOS B (S.U.E.*)	-----TC
U/G Telephone Conduit LOS C (S.U.E.*)	-----TC
U/G Telephone Conduit LOS D (S.U.E.*)	-----TC
U/G Fiber Optics Cable LOS B (S.U.E.*)	-----T FO
U/G Fiber Optics Cable LOS C (S.U.E.*)	-----T FO
U/G Fiber Optics Cable LOS D (S.U.E.*)	-----T FO

WATER:

Water Manhole	⊕
Water Meter	○
Water Valve	⊗
Water Hydrant	⊕
U/G Water Line LOS B (S.U.E.*)	-----W
U/G Water Line LOS C (S.U.E.*)	-----W
U/G Water Line LOS D (S.U.E.*)	-----W
Above Ground Water Line	-----A/G Water

TV:

TV Pedestal	⊠
TV Tower	⊗
U/G TV Cable Hand Hole	-----
U/G TV Cable LOS B (S.U.E.*)	-----TV
U/G TV Cable LOS C (S.U.E.*)	-----TV
U/G TV Cable LOS D (S.U.E.*)	-----TV
U/G Fiber Optic Cable LOS B (S.U.E.*)	-----TV FO
U/G Fiber Optic Cable LOS C (S.U.E.*)	-----TV FO
U/G Fiber Optic Cable LOS D (S.U.E.*)	-----TV FO

GAS:

Gas Valve	◇
Gas Meter	⊕
U/G Gas Line LOS B (S.U.E.*)	-----G
U/G Gas Line LOS C (S.U.E.*)	-----G
U/G Gas Line LOS D (S.U.E.*)	-----G
Above Ground Gas Line	-----A/G Gas

SANITARY SEWER:

Sanitary Sewer Manhole	⊕
Sanitary Sewer Cleanout	⊕
U/G Sanitary Sewer Line	-----SS
Above Ground Sanitary Sewer	-----A/G Sanitary Sewer
SS Forced Main Line LOS B (S.U.E.*)	-----FSS
SS Forced Main Line LOS C (S.U.E.*)	-----FSS
SS Forced Main Line LOS D (S.U.E.*)	-----FSS

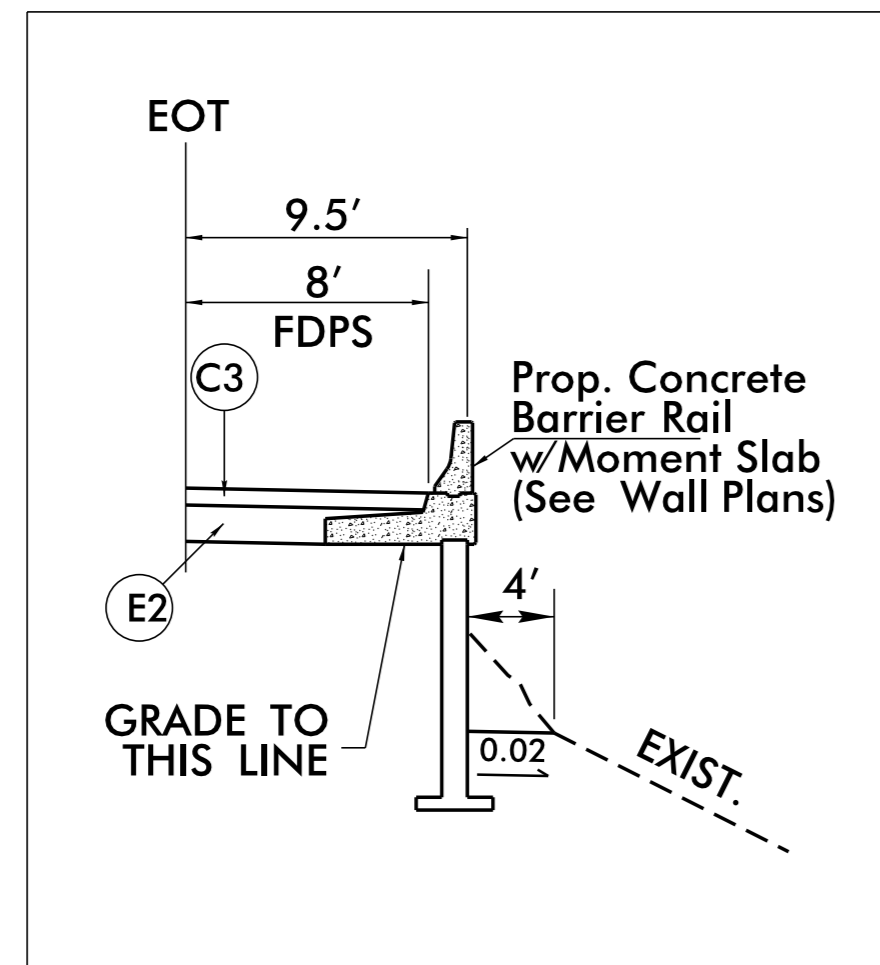
MISCELLANEOUS:

Utility Pole	●
Utility Pole with Base	□
Utility Located Object	○
Utility Traffic Signal Box	⊠
Utility Unknown U/G Line LOS B (S.U.E.*)	-----?UTL
U/G Tank; Water, Gas, Oil	-----
Underground Storage Tank, Approx. Loc.	⊕ UST
A/G Tank; Water, Gas, Oil	-----
Geoenvironmental Boring	⊕
U/G Test Hole LOS A (S.U.E.*)	⊕
Abandoned According to Utility Records	AATUR
End of Information	E.O.I.

6/2/99

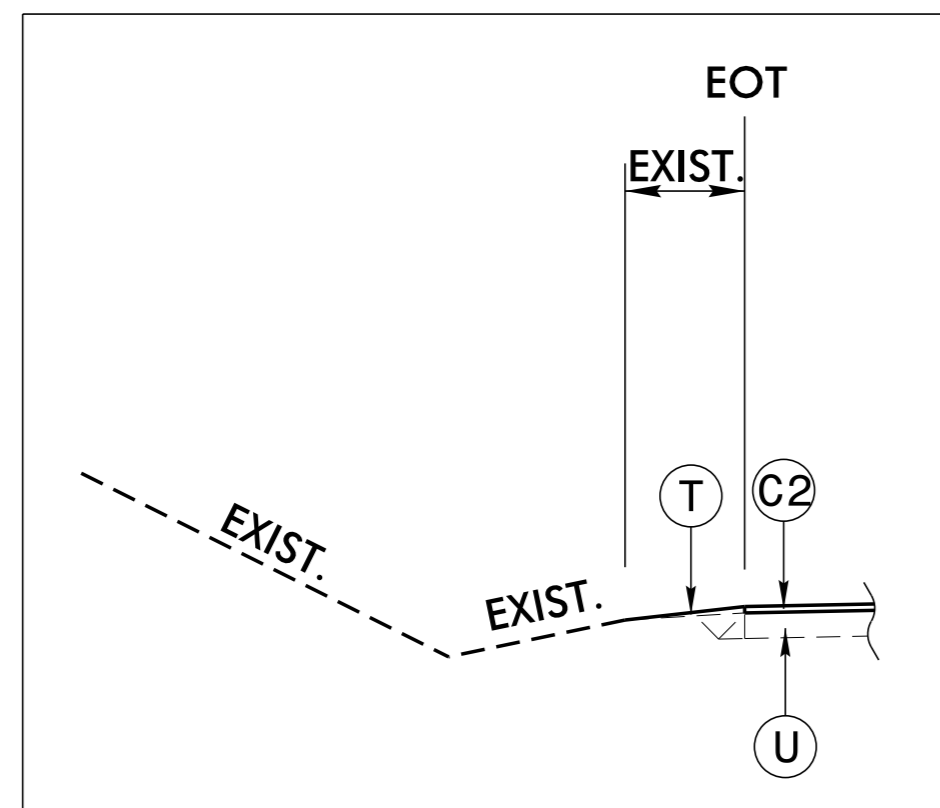
PAVEMENT SCHEDULE (FINAL PAVEMENT DESIGN)	
C1	PROP. VAR. DEPTH ASPHALT CONCRETE SURFACE COURSE, TYPE S9.5B, AT AN AVERAGE RATE OF 110 LBS. PER SQ. YD. PER 1" DEPTH. TO BE PLACED IN LAYERS NOT TO EXCEED 1.5" IN DEPTH.
C2	PROP. APPROX. 1.5" ASPHALT CONCRETE SURFACE COURSE, TYPE S9.5B, AT AN AVERAGE RATE OF 165 LBS. PER SQ. YD.
C3	PROP. APPROX. 3" ASPHALT CONCRETE SURFACE COURSE, TYPE S9.5B, AT AN AVERAGE RATE OF 165 LBS. PER SQ. YARD. IN EACH OF TWO LAYERS.
E1	PROP. VAR. DEPTH ASPHALT CONCRETE BASE COURSE, TYPE B25.0C, AT AN AVERAGE RATE OF 114 LBS. PER SQ. YD. PER 1" DEPTH. TO BE PLACED IN LAYERS NOT TO EXCEED 5.5" IN DEPTH.
E2	PROP. APPROX. 5.5" ASPHALT CONCRETE BASE COURSE, TYPE B25.0C, AT AN AVERAGE RATE OF 627 LBS. PER SQ. YD.
J	PROP. 8" AGGREGATE BASE COURSE
U	EXISTING PAVEMENT
R1	EXPRESSWAY GUTTER
T	EARTH MATERIAL
W	VARIABLE DEPTH ASPHALT PAVEMENT (SEE STANDARD WEDGING DETAIL)

NOTE: PAVEMENT EDGE SLOPES ARE 1:1 UNLESS SHOWN OTHERWISE.



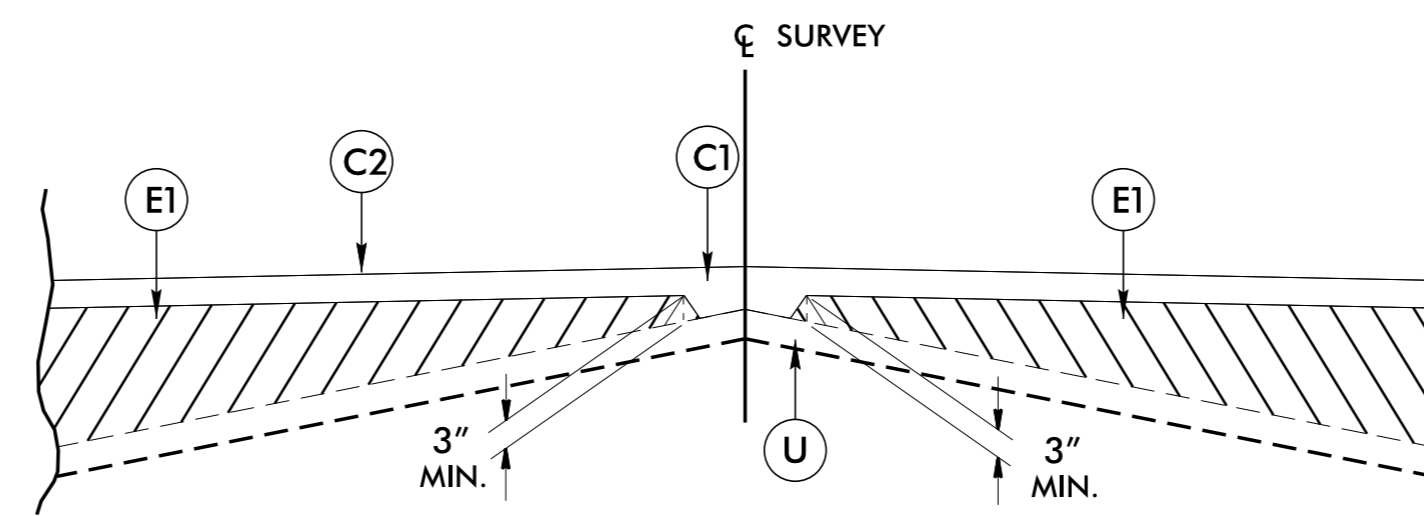
INSET A

TO BE USED WITH TYPICAL SECTION NO. 1 & 2
-L- STA. 15+00.00 TO STA. 20+00.00 RT.

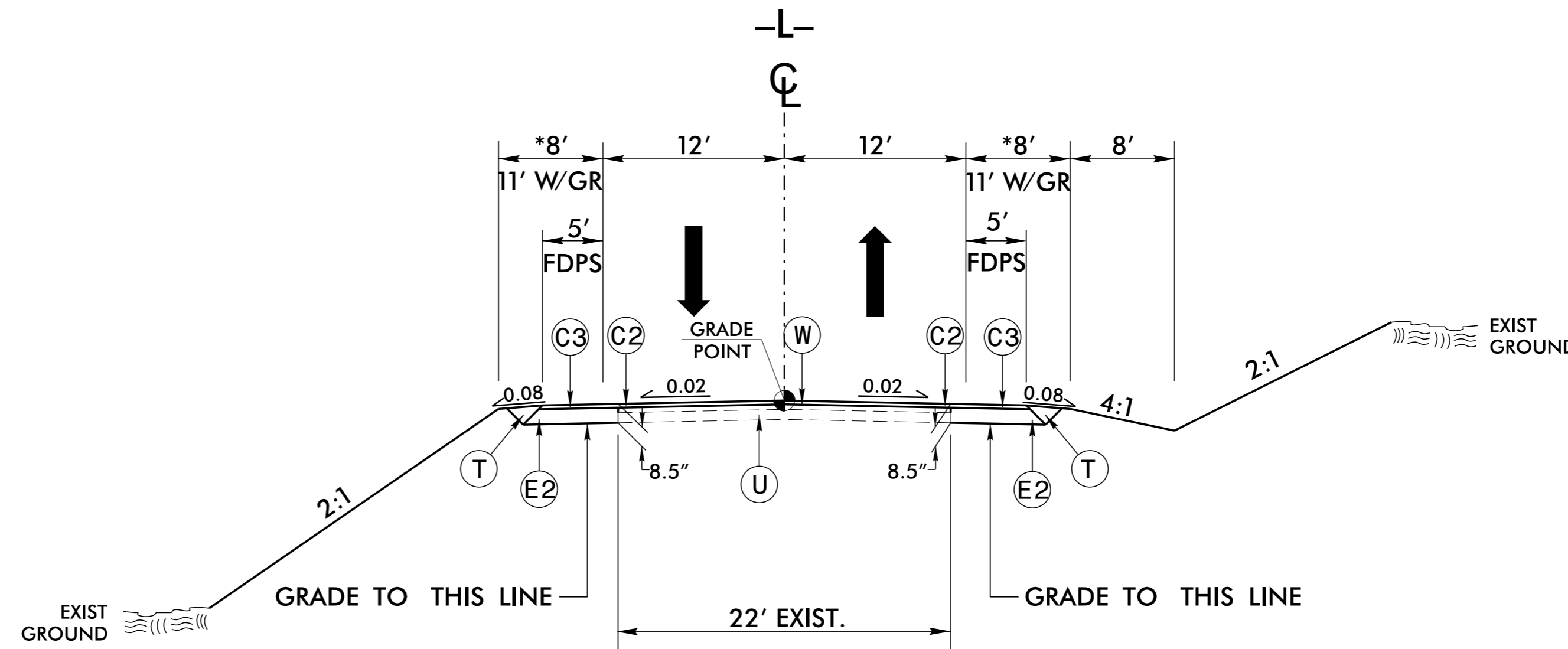


INSET B

TO BE USED WITH TYPICAL SECTION NO. 1
-L- STA. 30+10.00 TO STA. 32+25.00 LT.



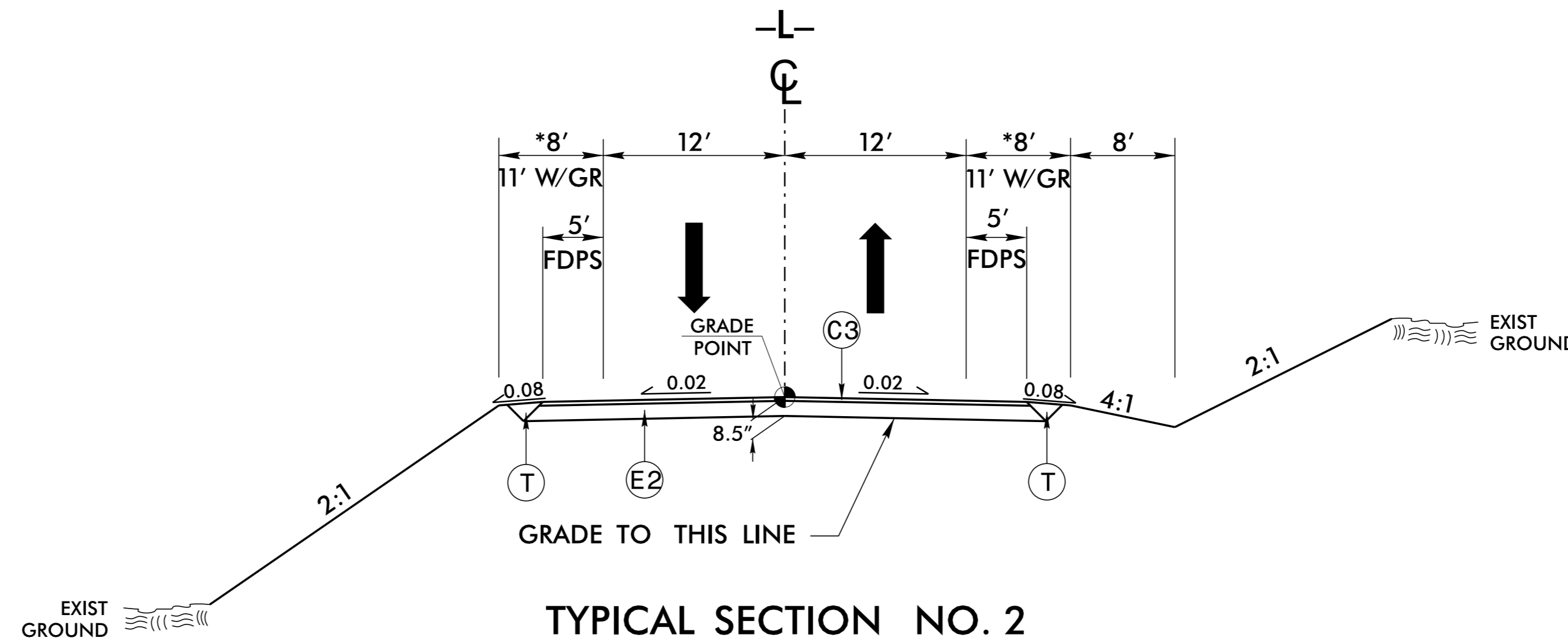
Detail Showing Method of Wedging



TYPICAL SECTION NO. 1

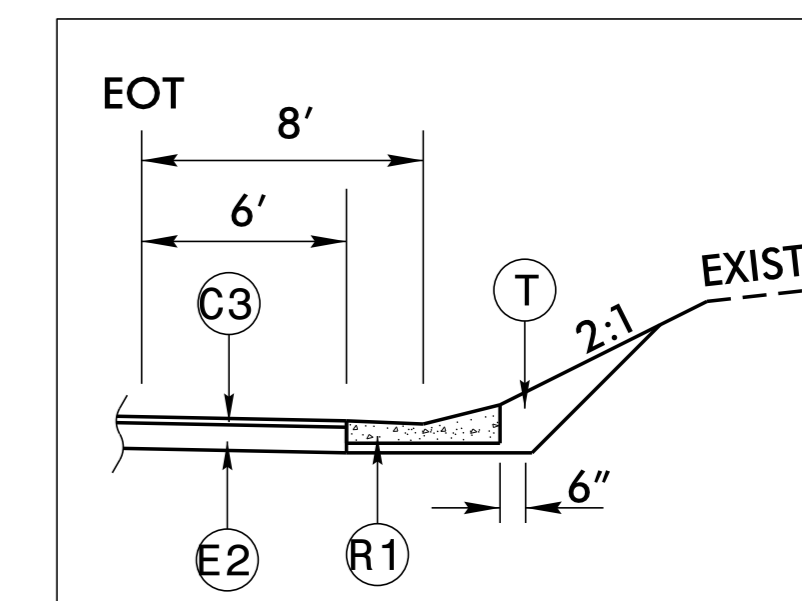
USE TYPICAL SECTION NO. 1
TRANSITION FROM EXISTING AT -L- STA. 15+25.00 TO TYPICAL NO. 1 AT -L- STA. 15+75.00
-L- STA. 15+75.00 TO STA. 17+50.00

-L- STA. 29+50.00 TO STA. 31+75.00
TRANSITION FROM TYPICAL NO. 1 AT -L- STA. 31+75.00 TO EXISTING AT -L- STA. 32+25.00
* PAVE TO THE FACE OF GUARDRAIL



TYPICAL SECTION NO. 2

USE TYPICAL SECTION NO. 2
-L- STA. 17+50.00 TO STA. 22+40.00 (BEGIN BRIDGE)
-L- STA. 25+20.00 (END BRIDGE) TO STA. 29+50.00
* PAVE TO THE FACE OF GUARDRAIL



INSET C

TO BE USED WITH TYPICAL SECTION NO. 2
-L- STA. 28+70.00 TO STA. 32+00.00 RT.

PROJECT REFERENCE NO. BR-0002	SHEET NO. 2A-1
ROADWAY DESIGN ENGINEER TATIA L. WHITE 7/28/2021 SEAL 024641	PAVEMENT DESIGN ENGINEER CLARK S. MORRISON 7/28/2021 SEAL 022896
<p>DOCUMENT NOT CONSIDERED FINAL UNLESS ALL SIGNATURES COMPLETED</p>	

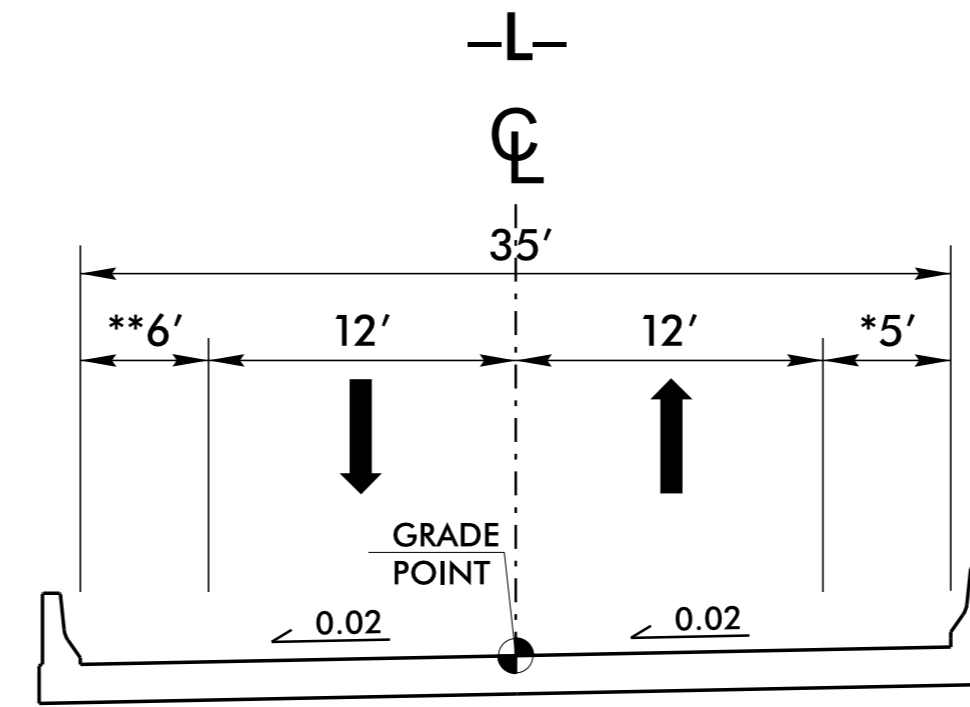
16-JUL-2021 08:54 \\BR0002.Rdy...tup.dgn

6/2/99

PAVEMENT SCHEDULE (FINAL PAVEMENT DESIGN)	
C1	VAR. S9.5B
C2	1.5" S9.5B
C3	3" S9.5B
E1	VAR B25.0C
E2	5.5" B25.0C
J	8" ABC
U	EXISTING PAVEMENT
T	EARTH MATERIAL
W	WEDGING DETAIL

NOTE: PAVEMENT EDGE SLOPES ARE 1:1 UNLESS SHOWN OTHERWISE.

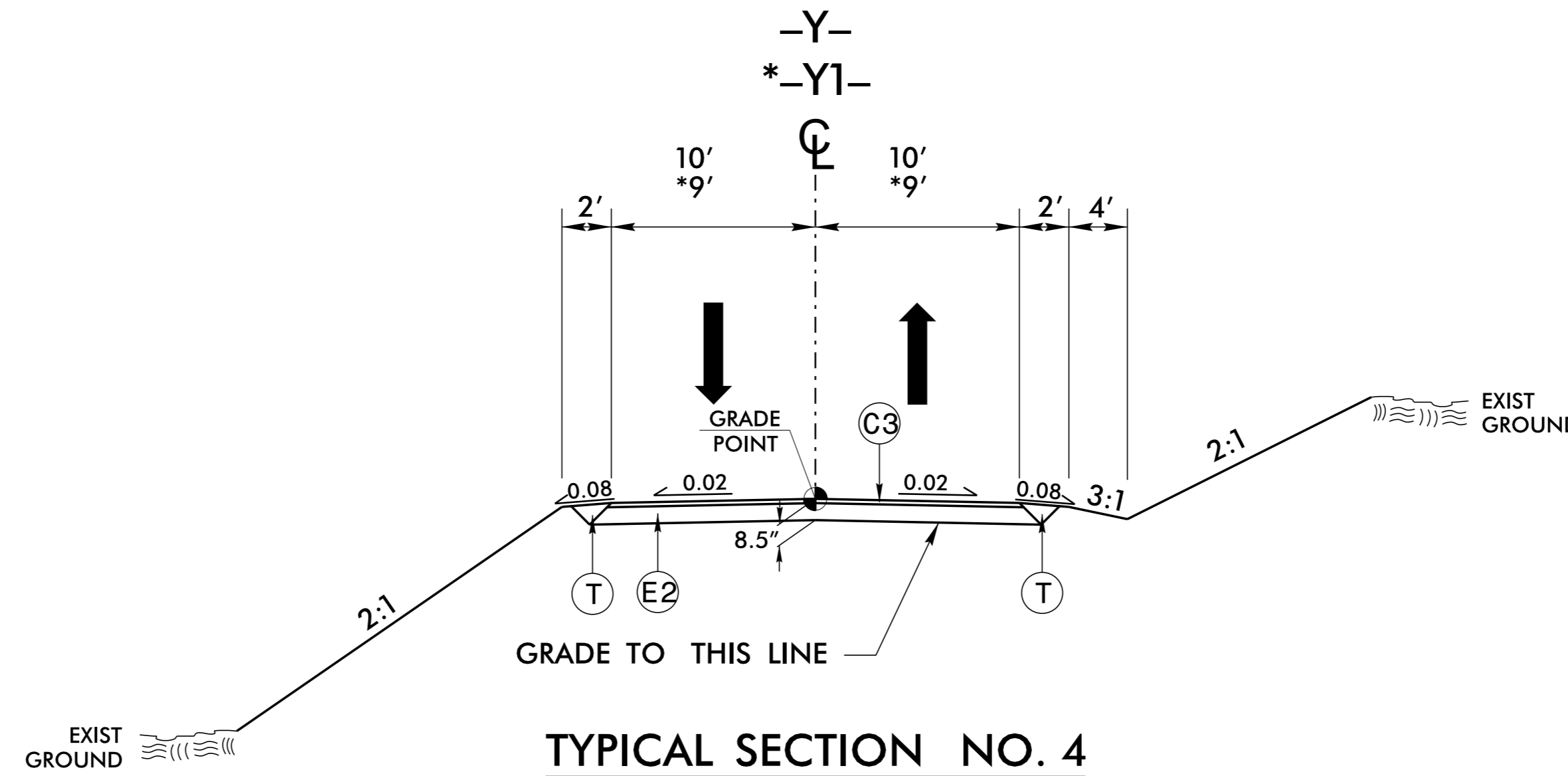
PROJECT REFERENCE NO. BR-0002	SHEET NO. 2A-2
ROADWAY DESIGN ENGINEER TATIA L. WHITE 7/28/2021 SEAL 024641 NORTH CAROLINA PROFESSIONAL ENGINEER	PAVEMENT DESIGN ENGINEER CLARK S. MORRISON 7/18/2021 SEAL 022896 NORTH CAROLINA PROFESSIONAL ENGINEER
DOCUMENT NOT CONSIDERED FINAL UNLESS ALL SIGNATURES COMPLETED	



TYPICAL SECTION ON STRUCTURE

* NOTE: FOR BICYCLE ACCOMMODATIONS
** NOTE: FOR BICYCLE ACCOMMODATIONS AND HYDRAULIC SPREAD

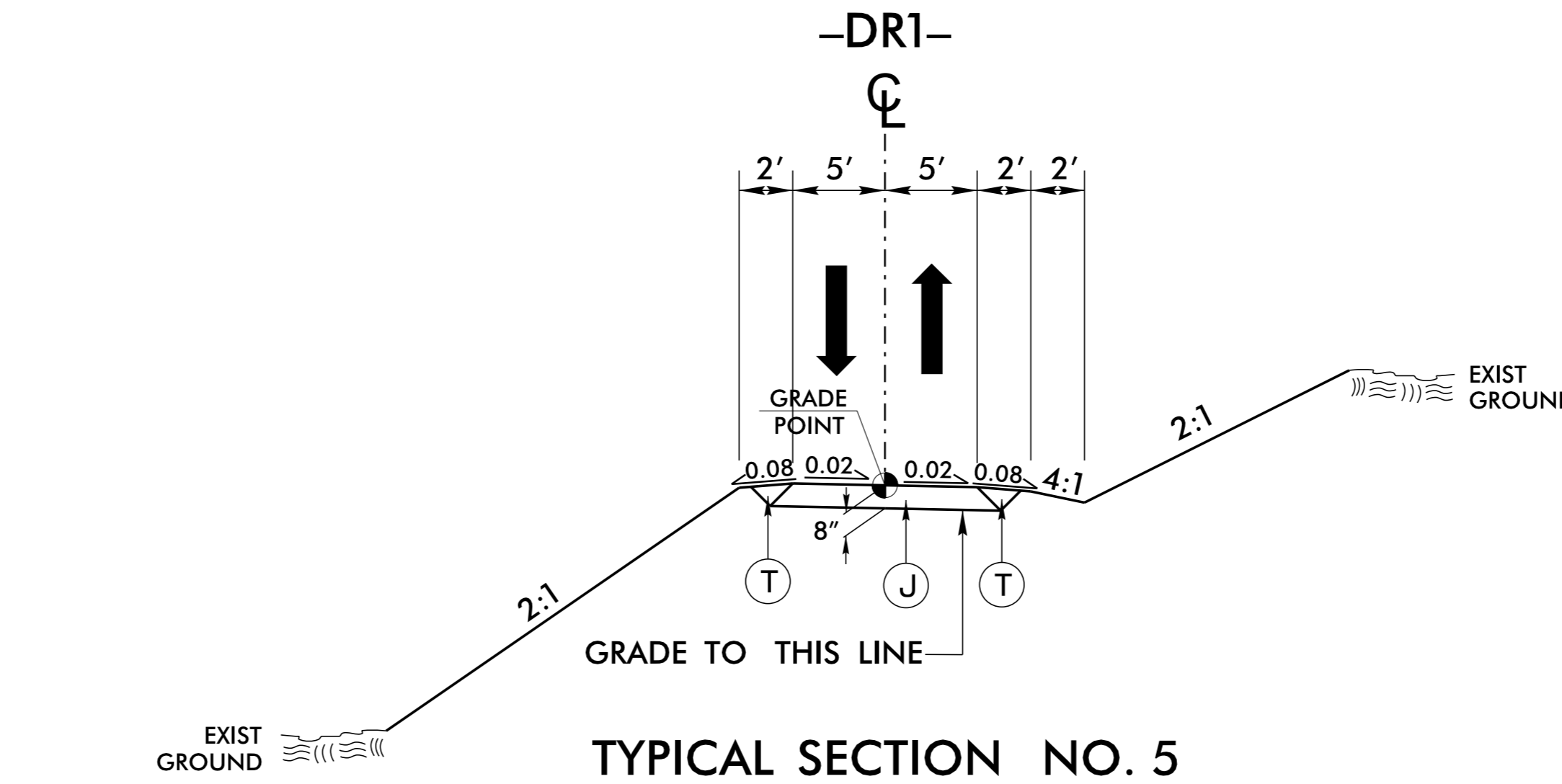
USE TYPICAL SECTION ON STRUCTURE
-L- STA. 22 + 40.00 (BEGIN BRIDGE) TO STA. 25 + 20.00 (END BRIDGE)



TYPICAL SECTION NO. 4

USE TYPICAL SECTION NO. 4
TRANSITION FROM EXISTING AT -Y- STA. 11 + 70.00 TO TYPICAL NO. 4 AT -Y- STA. 12 + 20.00
-Y- STA. 12 + 20.00 TO STA. 15 + 58.54

*-Y1- STA. 10 + 12.01 TO STA. 11 + 35.00
*TRANSITION FROM TYPICAL NO. 4 AT -Y1- STA. 11 + 35.00 TO EXISTING AT -Y1- STA. 11 + 85.00



TYPICAL SECTION NO. 5

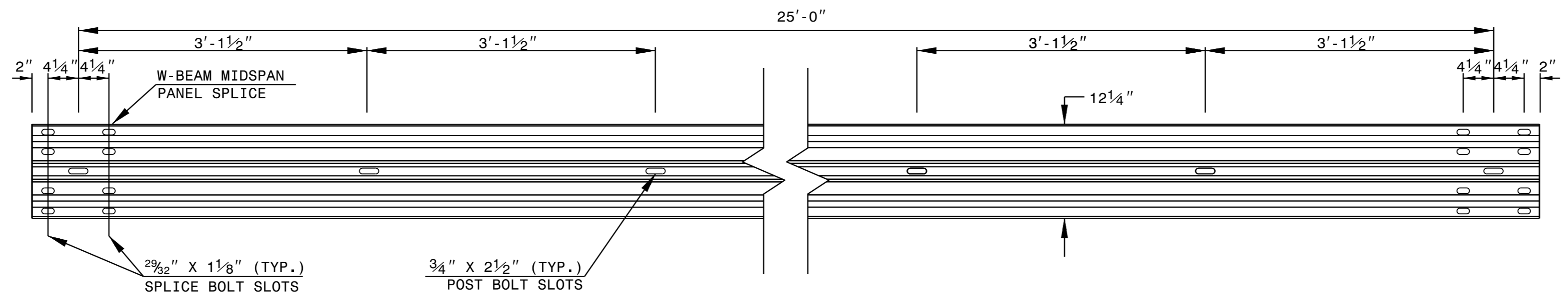
USE TYPICAL SECTION NO. 5
-DR1- STA. 10 + 00.00 TO STA. 11 + 84.75

16-JUL-2021 08:56 \\BR0002.Rdy.-tjg.dgn

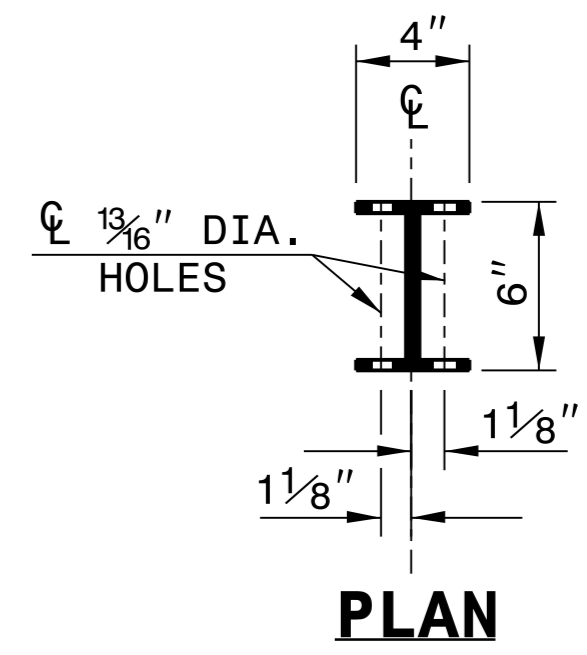
STATE OF NORTH CAROLINA
DEPT. OF TRANSPORTATION
DIVISION OF HIGHWAYS
RALEIGH, N.C.

ROADWAY DETAIL DRAWING FOR
GUARDRAIL INSTALLATION

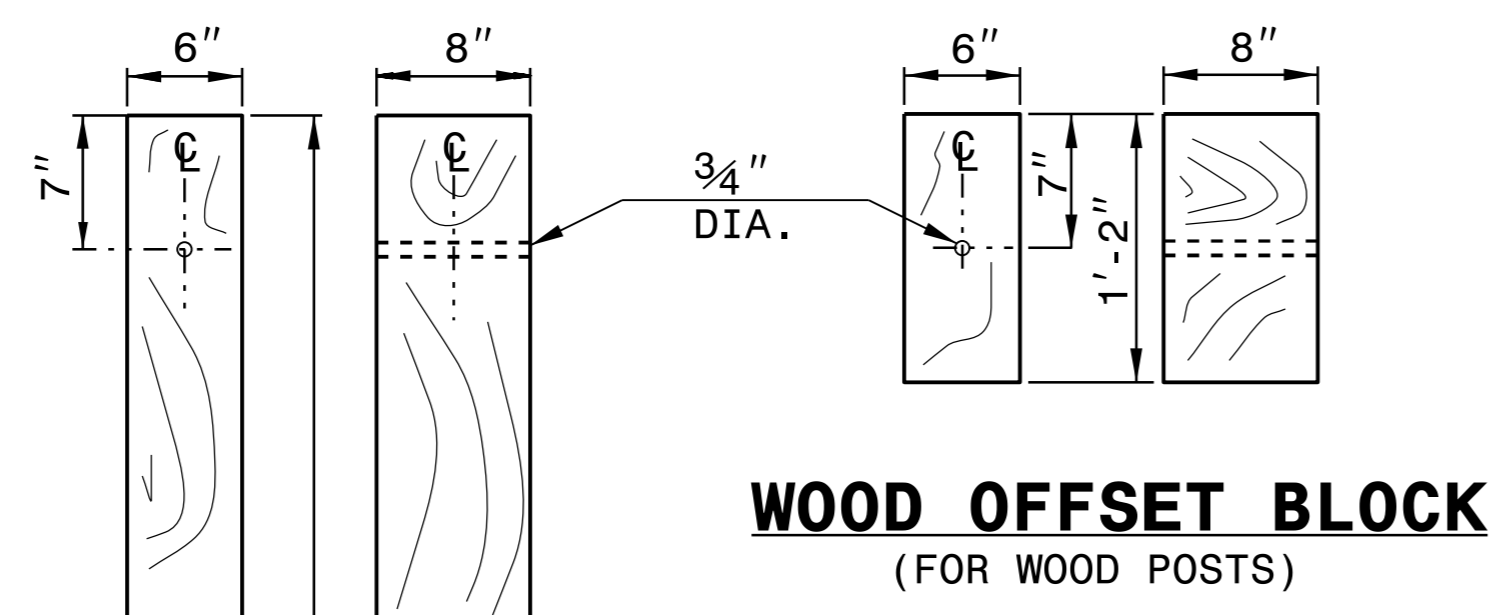
SHEET 6 OF 8
862D02



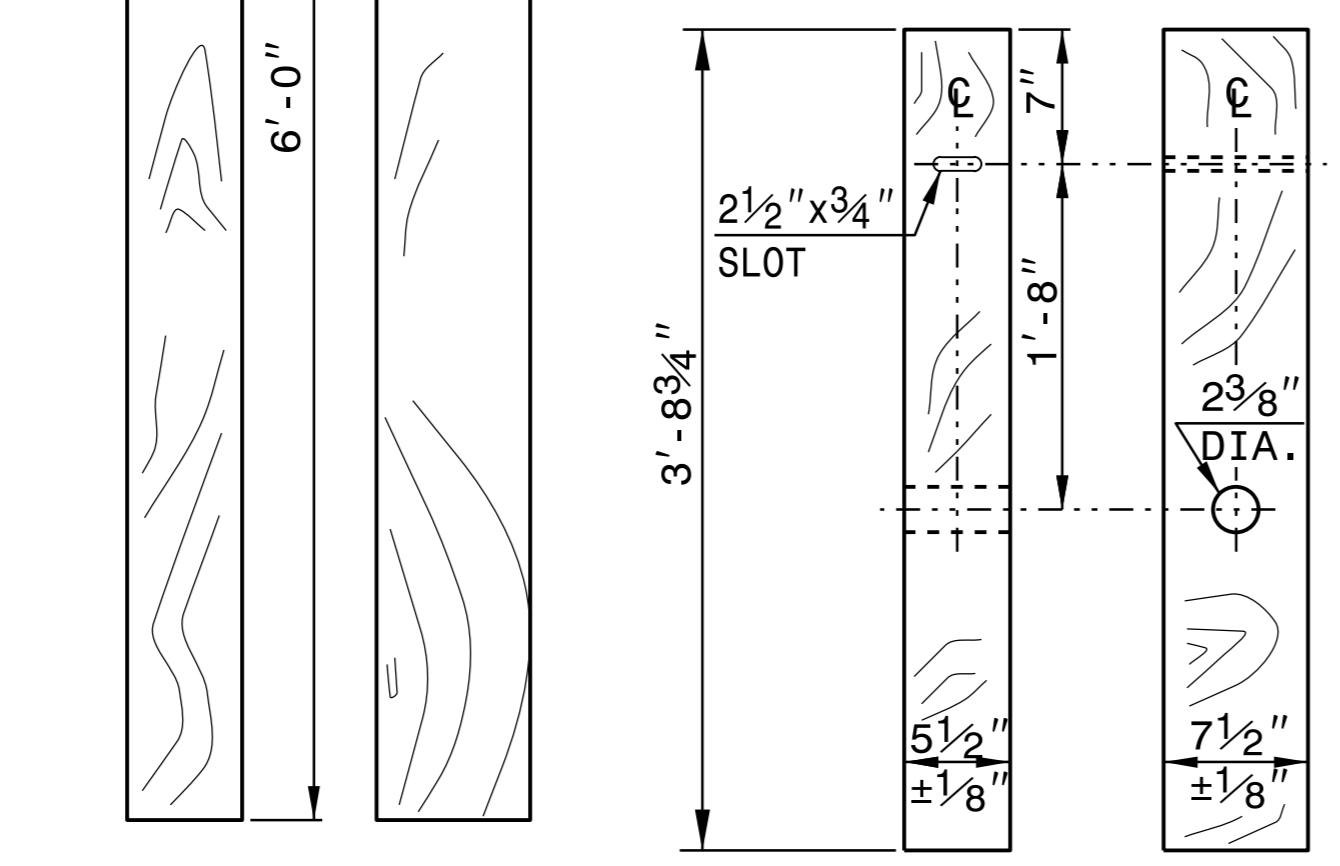
STANDARD W-BEAM GUARDRAIL



PLAN

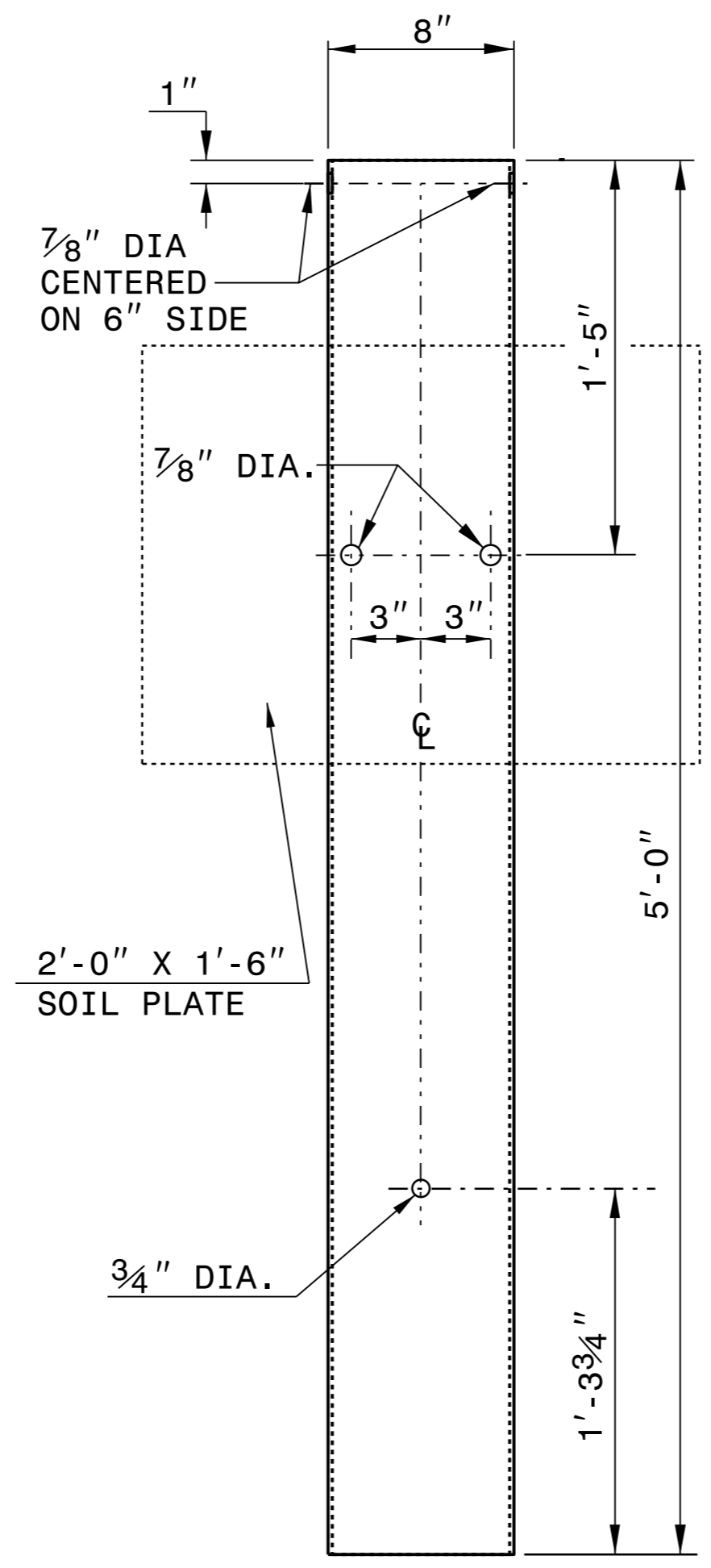


**WOOD OFFSET BLOCK
(FOR WOOD POSTS)**

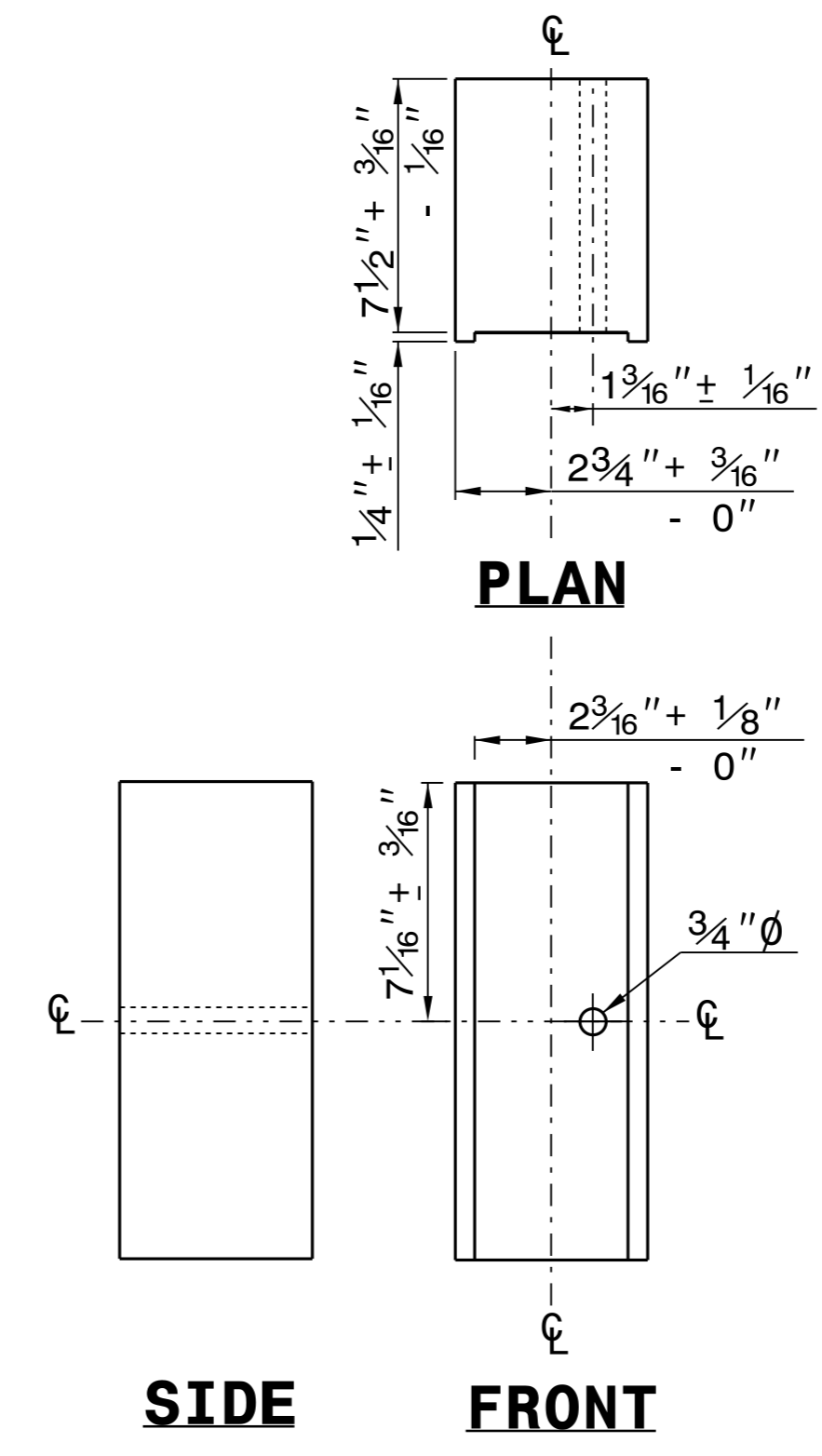


**STANDARD
LINE POST**

**SHORT WOOD
BREAKAWAY POST**



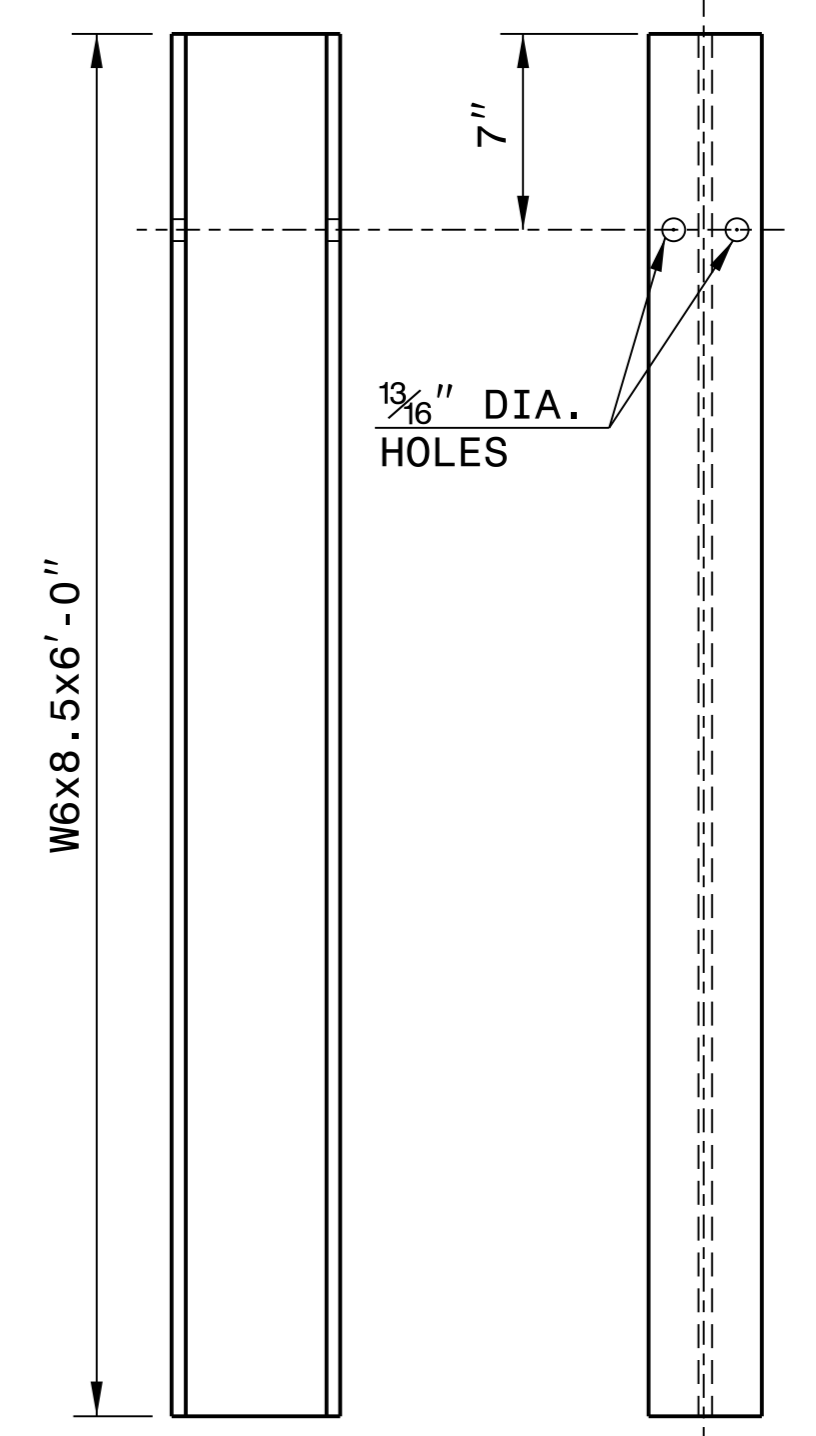
**STEEL TUBE
TS 6"x8"x0.1875"**



SIDE

FRONT

**ROUTED
OFFSET BLOCK**



SIDE

FRONT

"W6" STEEL POST

SYSTEM PARTS

STATE OF NORTH CAROLINA
DEPT. OF TRANSPORTATION
DIVISION OF HIGHWAYS
RALEIGH, N.C.

ROADWAY DETAIL DRAWING FOR
GUARDRAIL INSTALLATION

SHEET 6 OF 8
862D02

7/16/2021



DocuSigned by:
Joel S. Howerton
873F3D17DCDC45F

**CONTRACTS STANDARDS
AND DEVELOPMENT UNIT**
Office 919-707-6950 FAX 919-250-4119

SEE TITLE BLOCK

ORIGINAL BY: J. HOWERTON DATE: 3-7-2018
MODIFIED BY: DATE: _____
CHECKED BY: DATE: _____
FILE SPEC.: _____

STATE OF
NORTH CAROLINA
DEPT. OF TRANSPORTATION
DIVISION OF HIGHWAYS
RALEIGH, N.C.

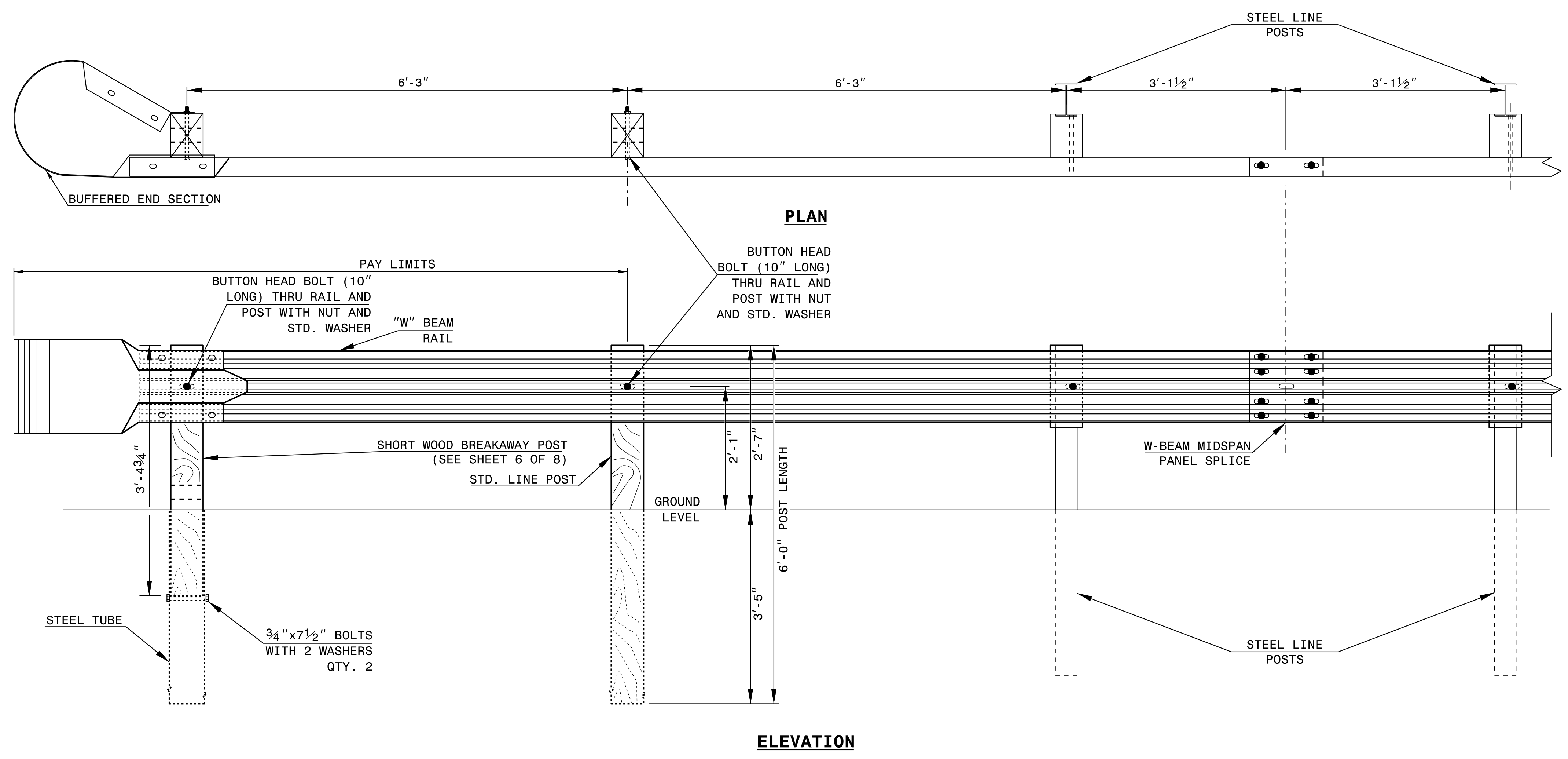
ROADWAY DETAIL DRAWING FOR
GUARDRAIL INSTALLATION

SHEET OF

STATE OF
NORTH CAROLINA
DEPT. OF TRANSPORTATION
DIVISION OF HIGHWAYS
RALEIGH, N.C.

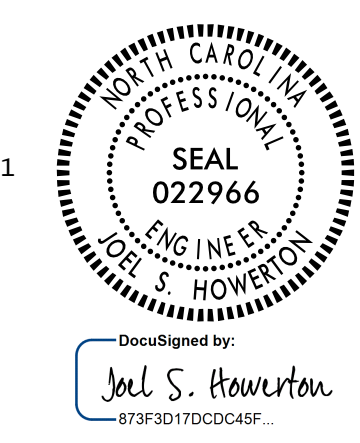
ROADWAY DETAIL DRAWING FOR
GUARDRAIL INSTALLATION

SHEET OF



TRAILING END UNIT ASSEMBLY
A.T. - 1 SYSTEM

7/16/2021



DOCUMENT NOT CONSIDERED FINAL
UNLESS ALL SIGNATURES COMPLETED

**CONTRACTS STANDARDS
AND DEVELOPMENT UNIT**
Office 919-707-6950 FAX 919-250-4119

A.T. - 1 SYSTEM

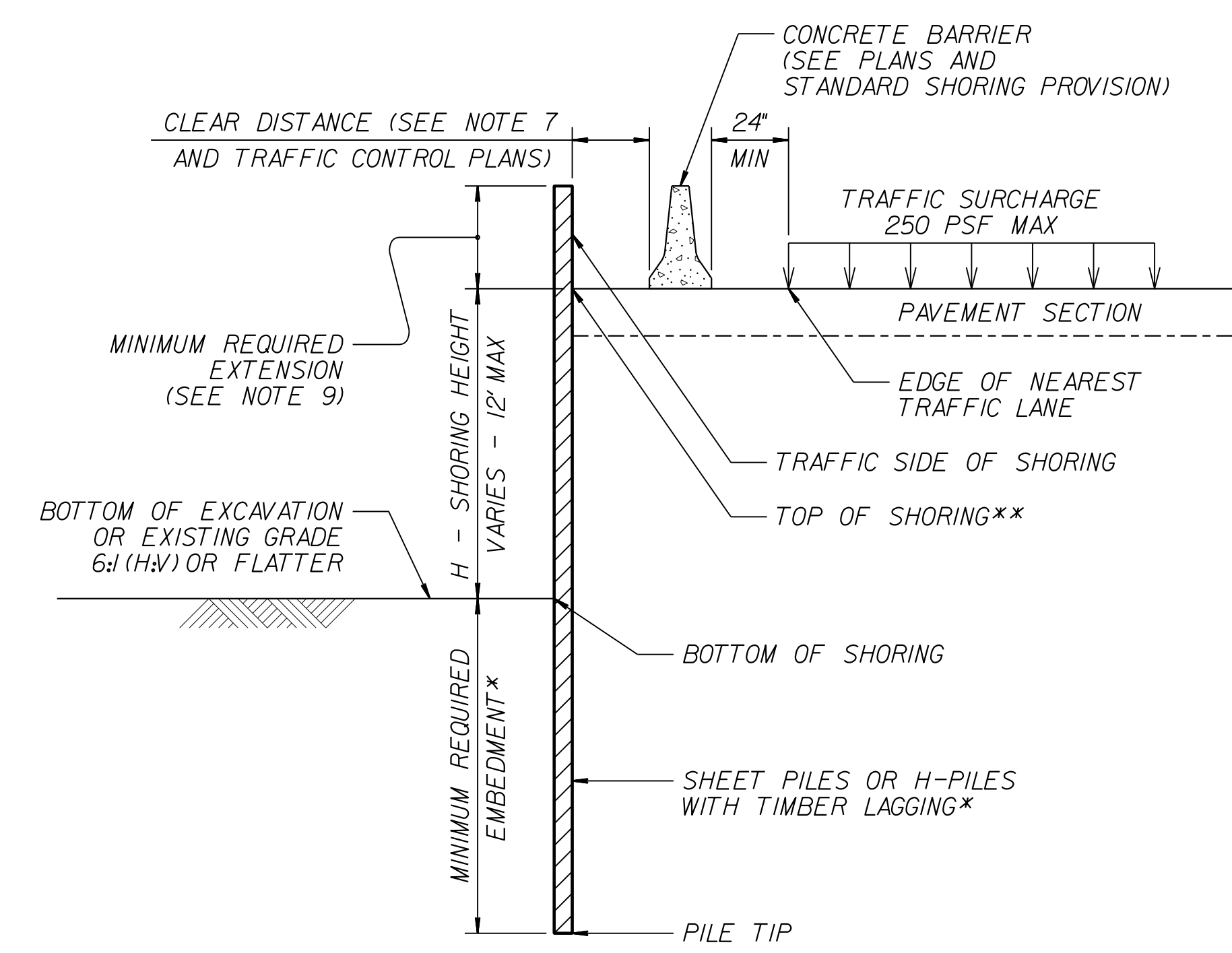
ORIGINAL BY: _____ DATE: _____
MODIFIED BY: _____ DATE: _____
CHECKED BY: _____ DATE: _____
FILE SPEC.: _____

GROUNDWATER CONDITION (SEE NOTE 6)	H SHORING HEIGHT (FT)	SLOPE OR SURCHARGE CASE WITH NO TRAFFIC IMPACT					SURCHARGE CASE WITH TRAFFIC IMPACT				
		SHEET PILES		H-PILES WITH TIMBER LAGGING			SHEET PILES		H-PILES WITH TIMBER LAGGING		
		MINIMUM REQUIRED EMBEDMENT (FT)	MINIMUM REQUIRED SECTION MODULUS (IN ³ /FT)	MINIMUM REQUIRED EMBEDMENT* (FT) (SEE NOTE 10)			MINIMUM REQUIRED EMBEDMENT (FT)	MINIMUM REQUIRED SECTION MODULUS (IN ³ /FT)	MINIMUM REQUIRED EMBEDMENT* (FT) (SEE NOTE 10)		
			HP 10x42	HP 12x53	HP 14x73			HP 10x42	HP 12x53	HP 14x73	
GROUNDWATER ELEVATION BETWEEN BOTTOM OF SHORING AND PILE TIP	< 6	11.5	4.5	11.5	11.5	11.5	16.0	12.0	13.0	13.0	13.0
	7	13.0	7.0	13.0	13.0	13.0	17.0	14.5	14.5	14.5	14.5
	8	15.0	10.0	--	15.0	15.0	18.0	17.0	--	15.5	15.5
	9	17.0	14.0	--	17.0	17.0	19.0	20.0	--	17.0	17.0
	10	18.5	19.5	--	--	18.5	20.0	23.5	--	--	18.5
	11	20.5	26.0	--	--	--	21.0	28.0	--	--	20.0
12	22.5	33.0	--	--	--	22.0	33.0	--	--	21.5	
GROUNDWATER ELEVATION BELOW PILE TIP	< 6	7.5	3.0	8.0	8.0	8.0	11.0	10.0	9.5	9.5	9.5
	7	8.5	4.5	9.5	9.5	9.5	12.0	12.0	10.5	10.5	10.5
	8	10.0	6.5	10.5	10.5	10.5	12.5	14.0	11.5	11.5	11.5
	9	11.0	9.5	--	12.0	12.0	13.5	16.5	--	12.5	12.5
	10	12.5	13.0	--	--	13.5	14.0	19.5	--	13.5	13.5
	11	13.5	17.0	--	--	14.5	15.0	22.5	--	--	14.5
12	15.0	21.5	--	--	16.0	16.0	25.5	--	--	15.5	

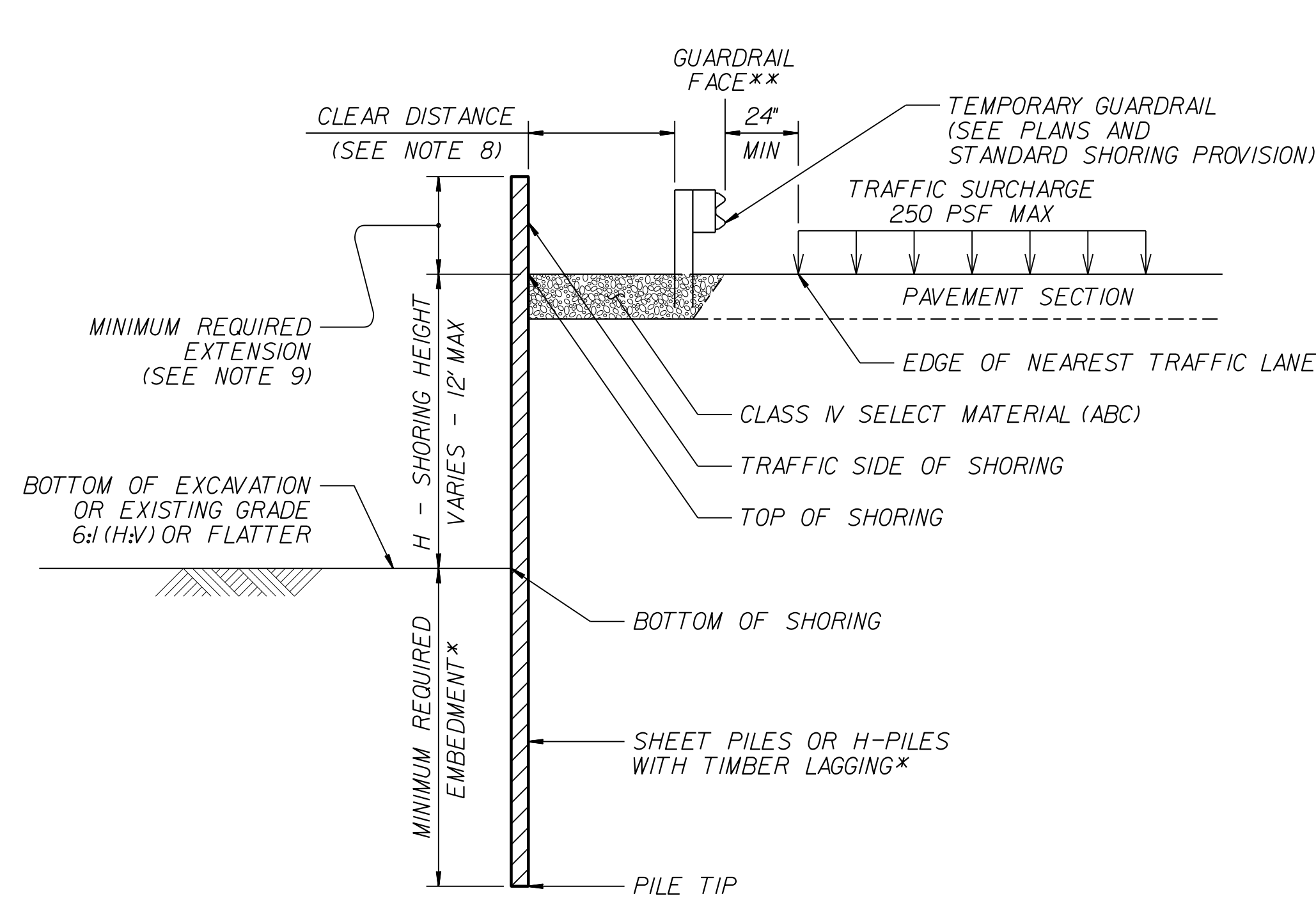
- NOTES:**
- AT THE CONTRACTOR'S OPTION, USE STANDARD TEMPORARY SHORING AS NOTED IN THE PLANS.
 - FOR STANDARD TEMPORARY SHORING, SEE STANDARD SHORING PROVISION.
 - STANDARD TEMPORARY SHORING IS BASED ON THE FOLLOWING IN-SITU ASSUMED SOIL PARAMETERS:
UNIT WEIGHT, $\gamma = 120$ PCF
FRICTION ANGLE, $\phi = 30$ DEGREES
COHESION, $c = 0$ PSF
 - DO NOT USE STANDARD TEMPORARY SHORING IF ASSUMED SOIL PARAMETERS ARE NOT APPLICABLE.
 - DO NOT USE STANDARD TEMPORARY SHORING WHEN VERY LOOSE OR SOFT SOIL OR MUCK IS WITHIN THE EMBEDMENT DEPTH.
 - USE GROUNDWATER ELEVATION NOTED IN THE PLANS. IF NO GROUNDWATER ELEVATION IS SHOWN IN THE PLANS, USE "GROUNDWATER ELEVATION BETWEEN BOTTOM OF SHORING AND PILE TIP" FOR GROUNDWATER CONDITION. DO NOT USE STANDARD TEMPORARY SHORING IF GROUNDWATER IS ABOVE BOTTOM OF SHORING.
 - AT THE CONTRACTOR'S OPTION OR IF AVAILABLE CLEAR DISTANCE IS LESS THAN THE MINIMUM REQUIRED FOR CONCRETE BARRIER, SET BARRIER NEXT TO AND UP AGAINST TRAFFIC SIDE OF PILES AND USE "SURCHARGE CASE WITH TRAFFIC IMPACT".
 - AT THE CONTRACTOR'S OPTION OR IF AVAILABLE CLEAR DISTANCE IS LESS THAN 4' FOR TEMPORARY GUARDRAIL, ATTACH GUARDRAIL TO TRAFFIC SIDE OF PILES AS SHOWN IN THE PLANS AND USE "SURCHARGE CASE WITH TRAFFIC IMPACT".
 - MINIMUM REQUIRED EXTENSION IS 6" FOR "SLOPE OR SURCHARGE CASE WITH NO TRAFFIC IMPACT" AND 32" FOR "SURCHARGE CASE WITH TRAFFIC IMPACT".
 - MINIMUM REQUIRED EMBEDMENT FOR H-PILES WITH TIMBER LAGGING IS BASED ON DRIVEN H-PILES AT MAXIMUM 6' SPACING. AT THE CONTRACTOR'S OPTION, EMBEDMENT DEPTHS MAY BE REDUCED BY 25% FOR DRILLED-IN H-PILES.
 - SUBMIT A "STANDARD TEMPORARY SHORING SELECTION FORM" AT LEAST 7 DAYS BEFORE STARTING TEMPORARY SHORING CONSTRUCTION. UP TO 3 SHORING LOCATIONS MAY BE INCLUDED ON EACH FORM. STANDARD SHORING SELECTION FORMS ARE AVAILABLE FROM:
connect.ncdot.gov/resources/Geological/Pages/Geotech_Forms_Details.aspx
 - CONTACT THE ENGINEER IF PILES DO NOT ATTAIN THE MINIMUM REQUIRED EMBEDMENT.

MINIMUM REQUIRED EMBEDMENT AND SECTION MODULUS

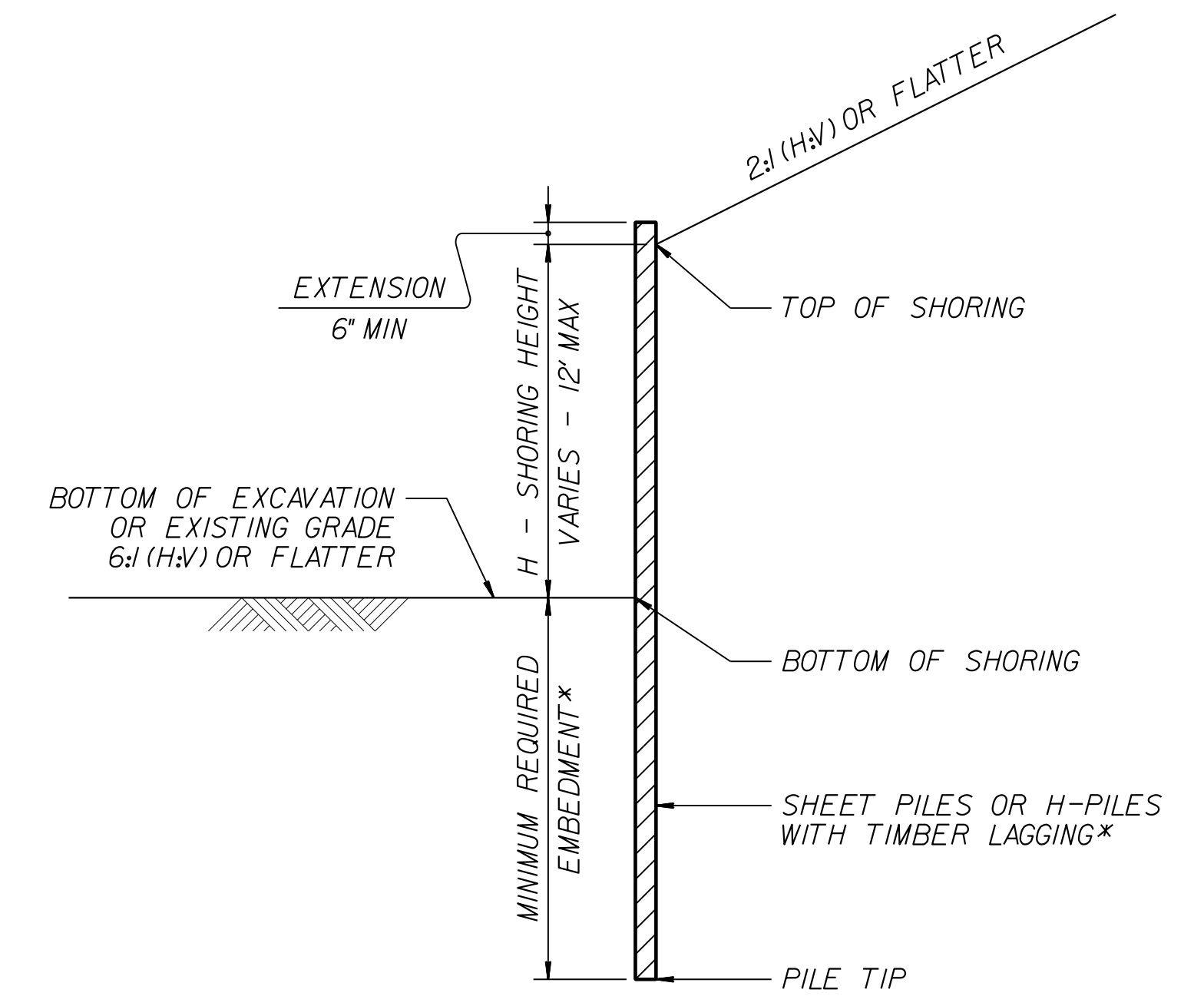
***DO NOT USE H-PILES WITH TIMBER LAGGING FOR GROUNDWATER CONDITION, SHORING HEIGHT AND H-PILE SIZE SHOWN IF MINIMUM REQUIRED EMBEDMENT IS "--".**



CONCRETE BARRIER
****TOP OF SHORING = EDGE OF PAVEMENT**

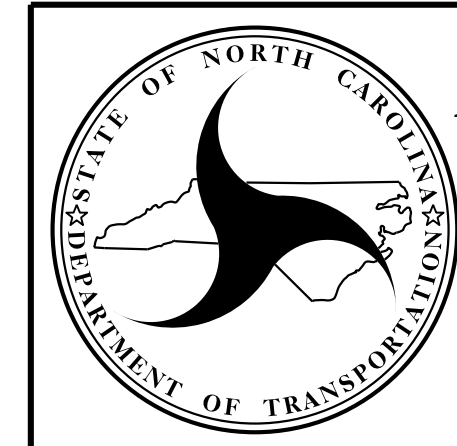


TEMPORARY GUARDRAIL
****GUARDRAIL FACE = EDGE OF PAVEMENT**



STANDARD TEMPORARY SHORING (SLOPE CASE)
***SEE TABLE ABOVE.**

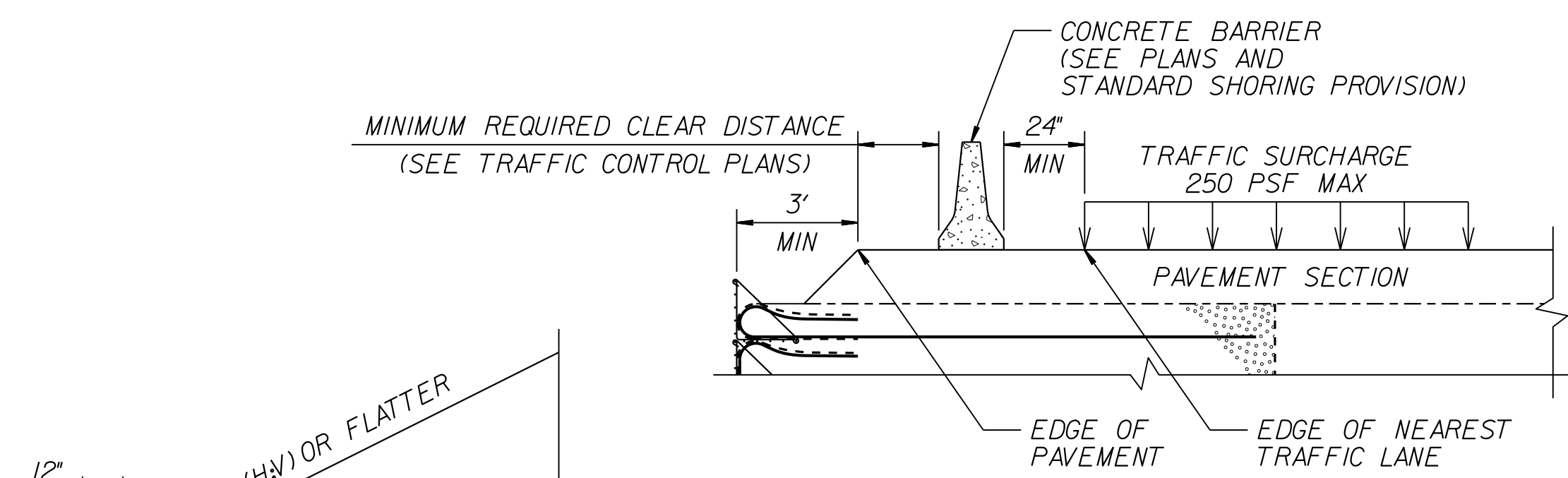
STANDARD TEMPORARY SHORING (SURCHARGE CASE)
***SEE TABLE ABOVE.**



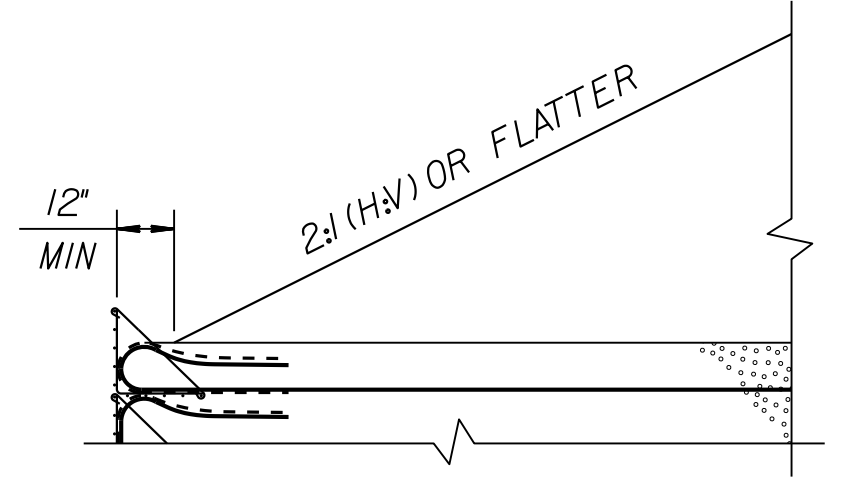
NORTH CAROLINA DEPARTMENT OF TRANSPORTATION DIVISION OF HIGHWAYS
GEOTECHNICAL ENGINEERING UNIT

STANDARD DETAIL NO. 1801.01

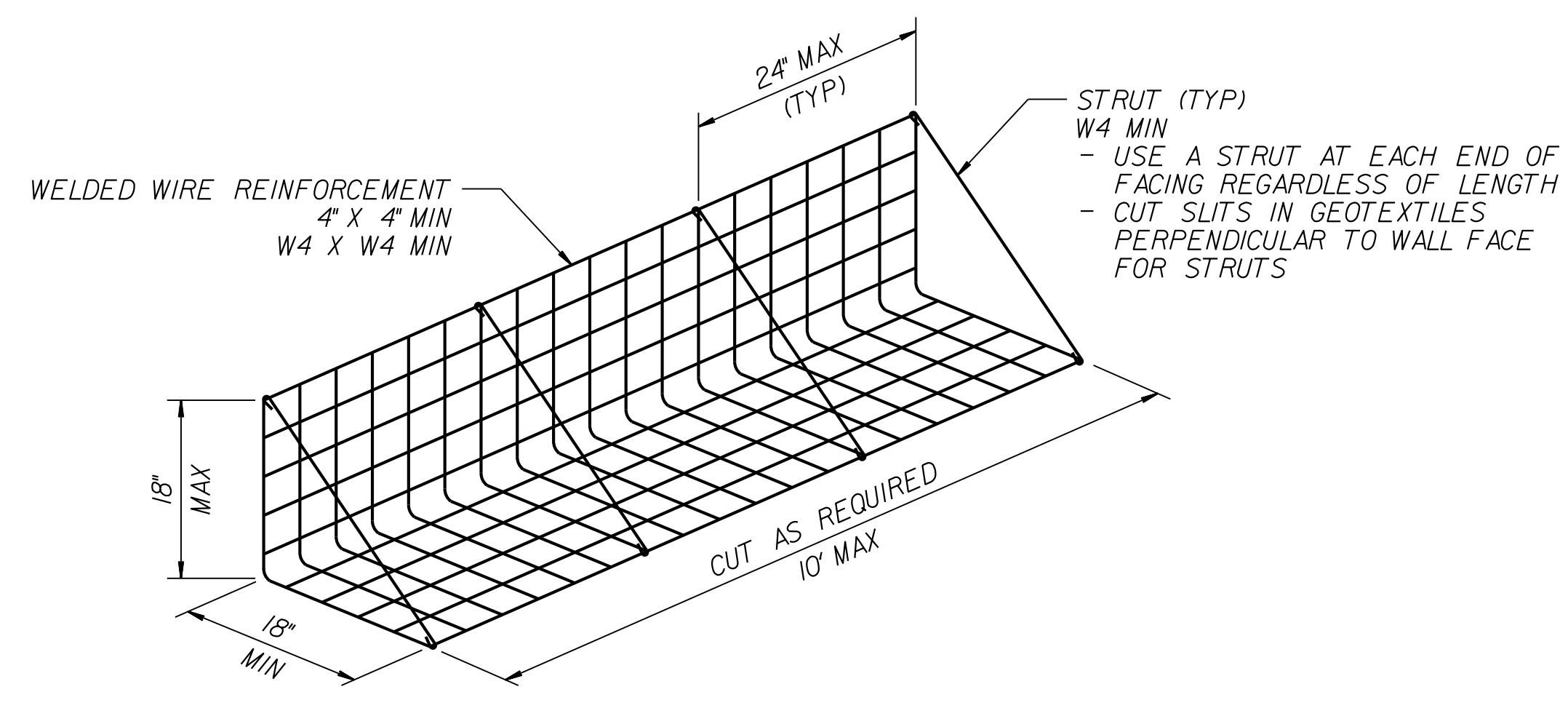
STANDARD TEMPORARY SHORING



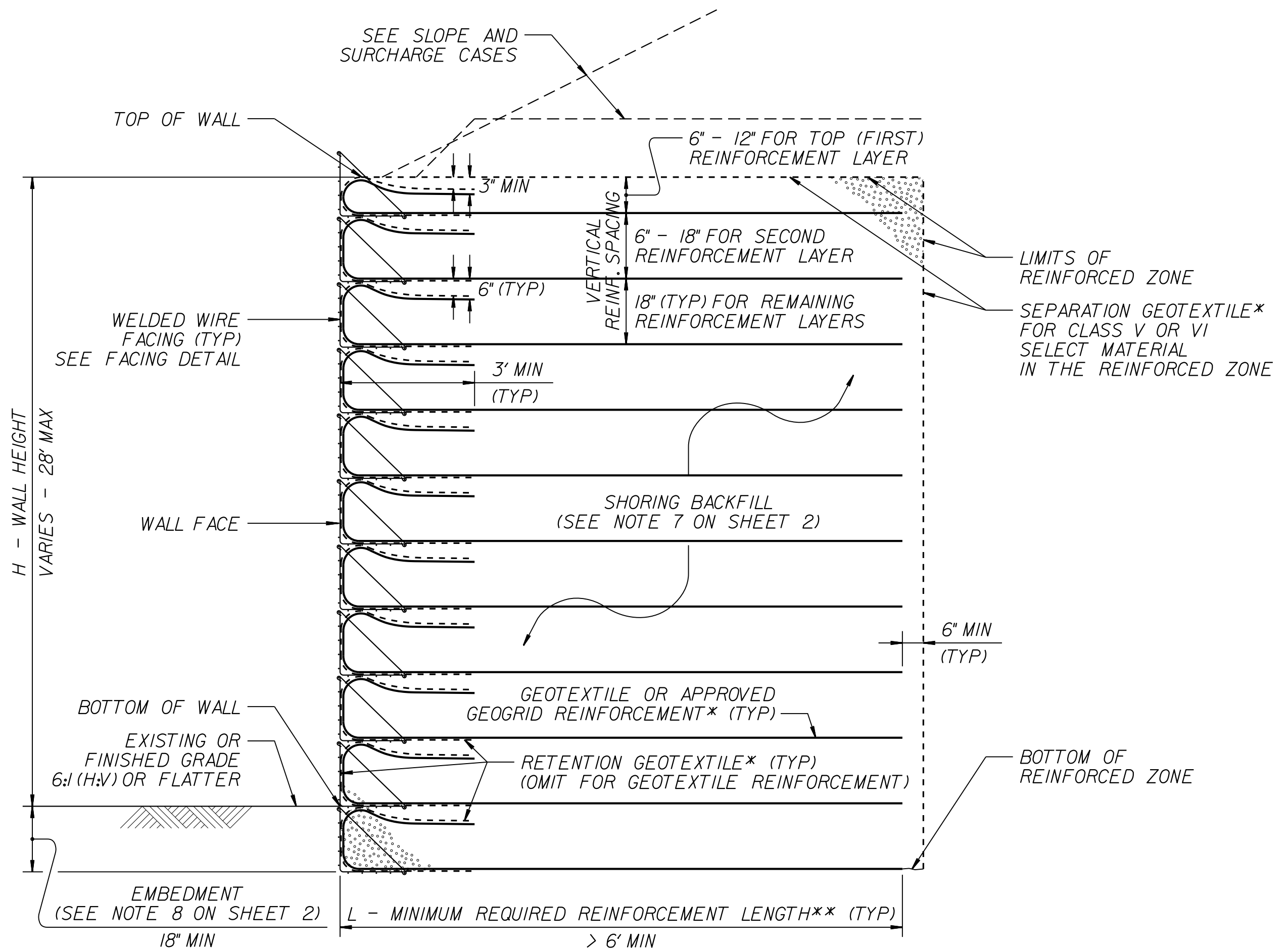
SURCHARGE CASE



SLOPE CASE

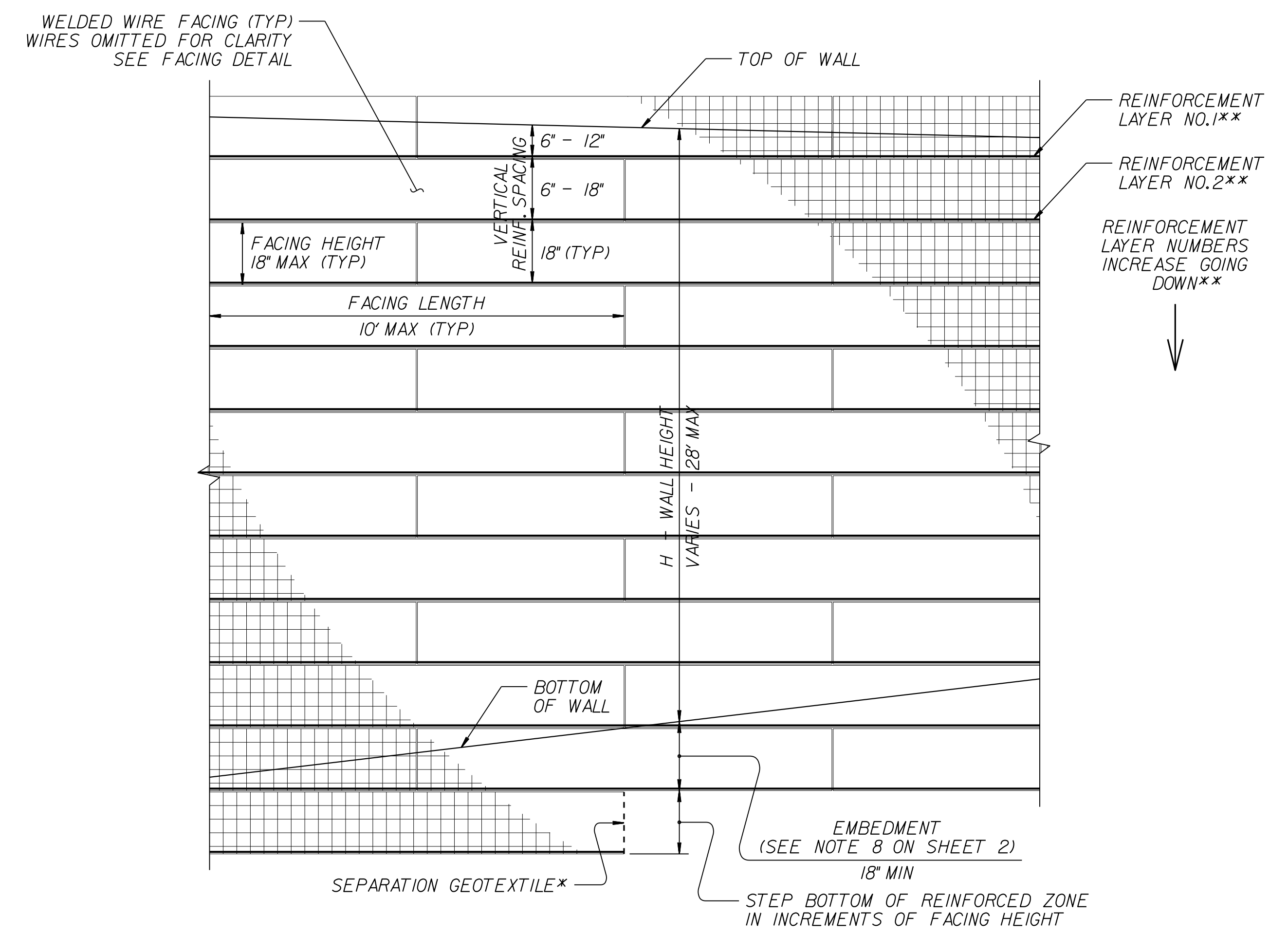


FACING DETAIL



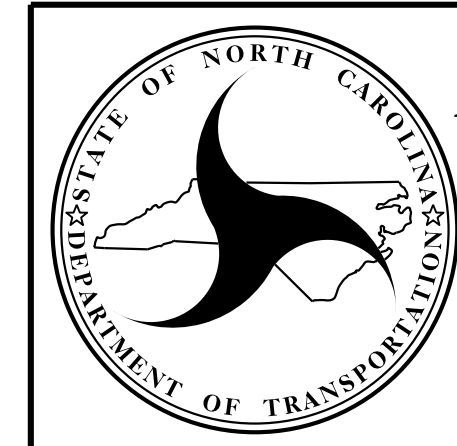
STANDARD TEMPORARY WALL

(FOR STANDARD TEMPORARY WALLS ON STRUCTURES, SEE TEMPORARY WALL ON STRUCTURE DETAIL ON SHEET 2.)
 *SEE GEOSYNTHETIC PLACEMENT DETAILS ON SHEET 2.
 **SEE REINFORCEMENT TABLES ON SHEET 3.



STANDARD TEMPORARY WALL – PARTIAL ELEVATION

*SEE GEOSYNTHETIC PLACEMENT DETAILS ON SHEET 2.
 **SEE REINFORCEMENT TABLES ON SHEET 3.

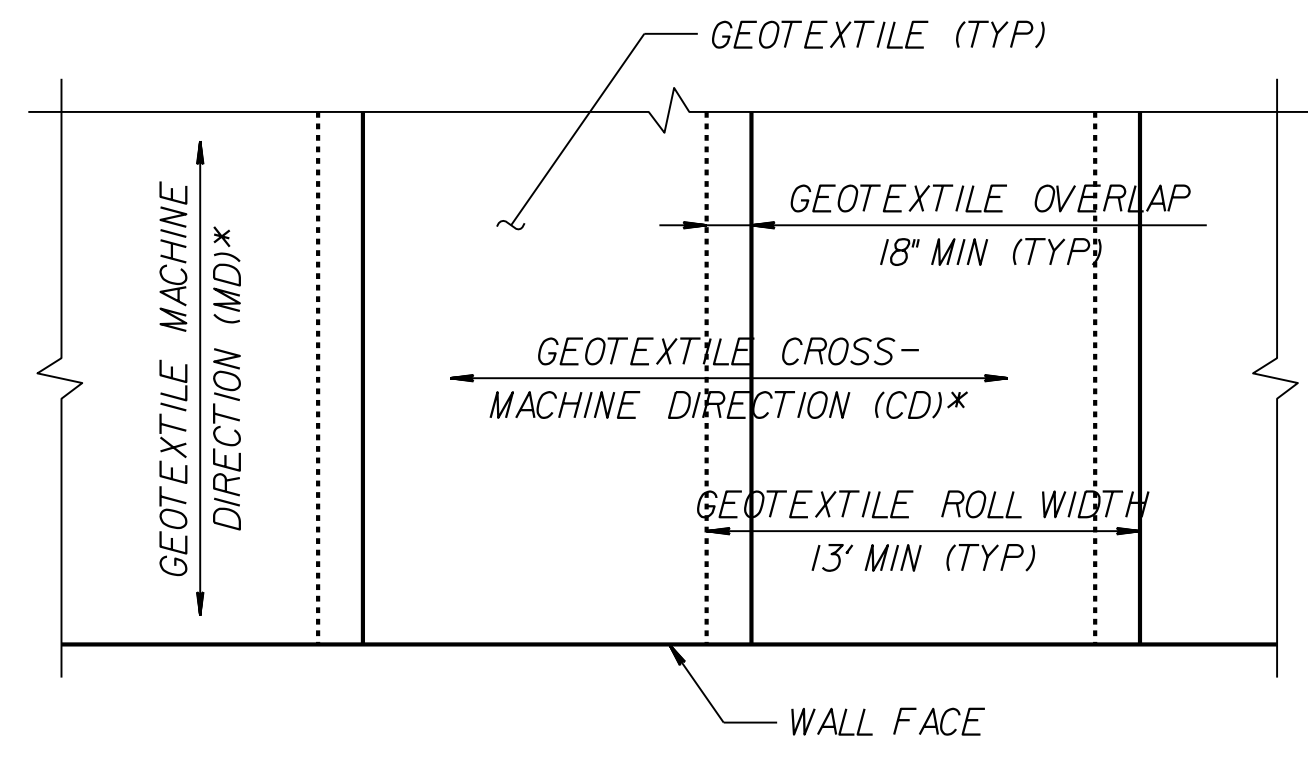


NORTH CAROLINA
 DEPARTMENT OF TRANSPORTATION
 DIVISION OF HIGHWAYS

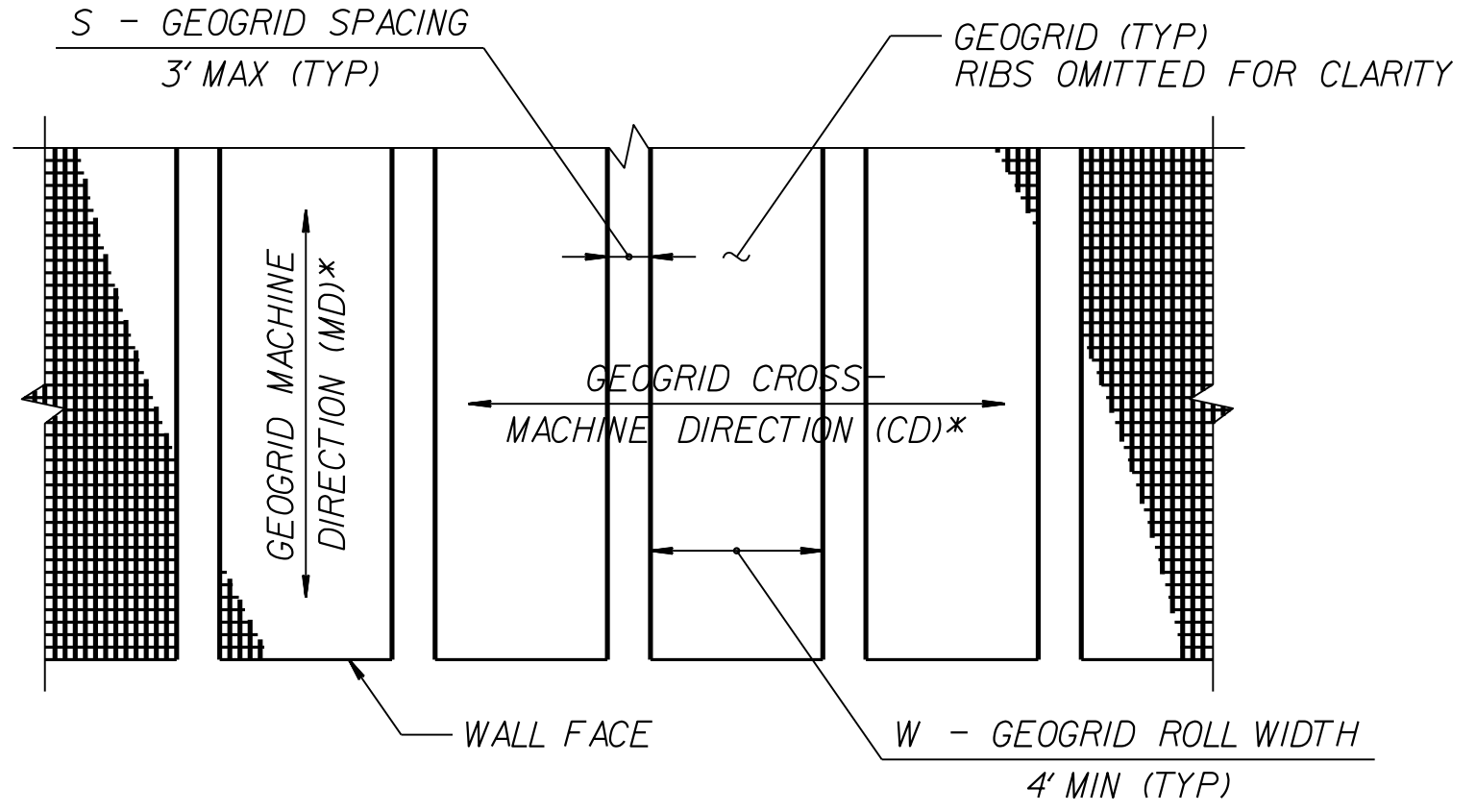
**GEOTECHNICAL
 ENGINEERING UNIT**

STANDARD DETAIL NO. 1801.02

STANDARD
 TEMPORARY WALL
 SHEET 1 OF 3

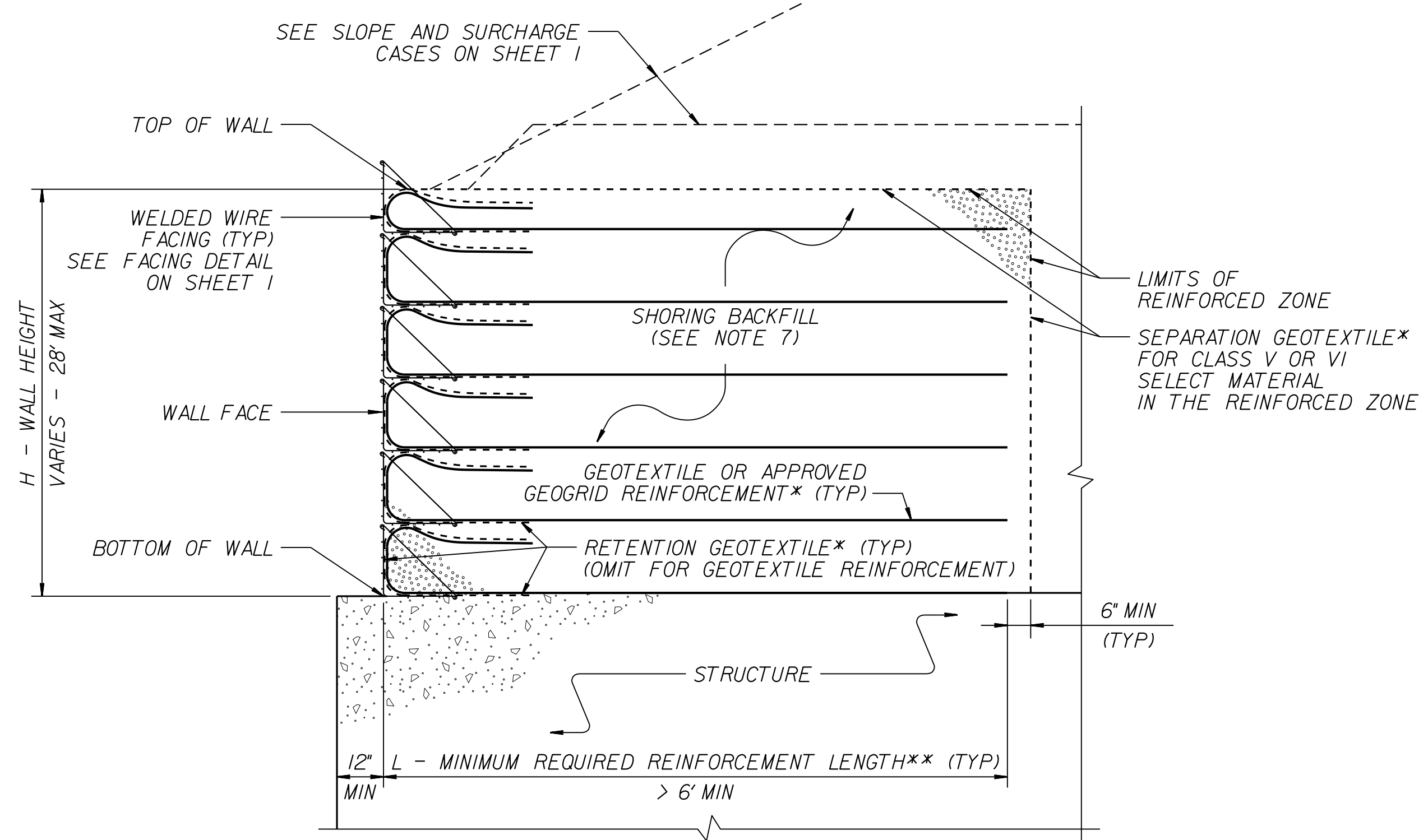


GEOTEXTILE PLACEMENT
(100% COVERAGE MIN FOR GEOTEXTILE REINFORCEMENT)



GEOGRID PLACEMENT
(80% COVERAGE MIN FOR GEOGRID REINFORCEMENT - $\frac{W}{W+S} \times 100 \geq 80\%$, SEE NOTE 11)

GEOSYNTHETIC PLACEMENT DETAILS
(PLAN VIEW)
*SEE NOTE 12.



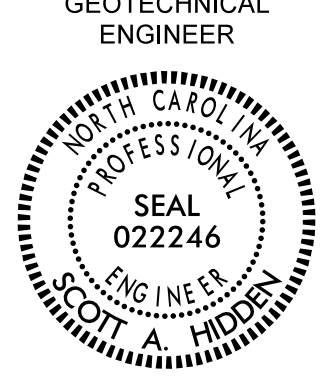
TEMPORARY WALL ON STRUCTURE DETAIL
*SEE GEOSYNTHETIC PLACEMENT DETAILS.
**SEE REINFORCEMENT TABLES ON SHEET 3.

NOTES:

- AT THE CONTRACTOR'S OPTION, USE STANDARD TEMPORARY WALLS AS NOTED IN THE PLANS.
- FOR STANDARD TEMPORARY WALLS, SEE STANDARD SHORING PROVISION.
- STANDARD TEMPORARY WALLS ARE BASED ON THE FOLLOWING IN-SITU ASSUMED SOIL PARAMETERS:
UNIT WEIGHT, $\gamma = 120$ PCF
FRICTION ANGLE, $\phi = 30$ DEGREES
COHESION, $c = 0$ PSF
- DO NOT USE STANDARD TEMPORARY WALLS IF ASSUMED SOIL PARAMETERS ARE NOT APPLICABLE.
- DO NOT USE STANDARD TEMPORARY WALLS WHEN VERY LOOSE OR SOFT SOIL OR MUCK IS BELOW TEMPORARY WALLS.
- USE GROUNDWATER ELEVATION NOTED IN THE PLANS. IF NO GROUNDWATER ELEVATION IS SHOWN IN THE PLANS, ASSUME GROUNDWATER DEPTH IS LESS THAN 7' BELOW BOTTOM OF REINFORCED ZONE. DO NOT USE STANDARD TEMPORARY WALLS IF GROUNDWATER IS ABOVE BOTTOM OF REINFORCED ZONE.
- DO NOT USE A-2-4 SOIL FOR STANDARD TEMPORARY WALLS AROUND CULVERTS OR IN THE REINFORCED ZONE OF STANDARD TEMPORARY WALLS FOR SLOPE CASES. DO NOT USE CLASS VI SELECT MATERIAL IN THE REINFORCED ZONE OF STANDARD TEMPORARY WALLS WITH GEOTEXTILE REINFORCEMENT.
- EMBEDMENT IS NOT REQUIRED FOR STANDARD TEMPORARY WALLS ON STRUCTURES OR ROCK AS DETERMINED BY THE ENGINEER.
- DO NOT USE MORE THAN 4 DIFFERENT REINFORCEMENT STRENGTHS FOR EACH STANDARD TEMPORARY WALL.
- GEOGRIDS ARE TYPICALLY APPROVED FOR ULTIMATE TENSILE STRENGTHS IN THE MACHINE DIRECTION (MD) AND CROSS-MACHINE DIRECTION (CD) OR SHORT-TERM DESIGN STRENGTHS FOR A 3-YEAR DESIGN LIFE IN THE MD BASED ON MATERIAL TYPE. THE LIST OF APPROVED GEOGRIDS WITH DESIGN STRENGTHS IS AVAILABLE FROM: connect.ncdot.gov/resources/Materials/Pages/Materials-Manual-by-Manual.aspx. DEFINE MATERIAL TYPE FROM THE WEBSITE ABOVE FOR SHORING BACKFILL AS FOLLOWS:

MATERIAL TYPE	SHORING BACKFILL
BORROW	A-2-4 SOIL
FINE AGGREGATE	CLASS II, TYPE I OR CLASS III SELECT MATERIAL
COARSE AGGREGATE	CLASS V OR VI SELECT MATERIAL

- IF THE WEBSITE DOES NOT LIST A SHORT-TERM DESIGN STRENGTH FOR AN APPROVED GEOGRID, USE A SHORT-TERM DESIGN STRENGTH EQUAL TO THE ULTIMATE TENSILE STRENGTH DIVIDED BY 3.5 FOR THE GEOGRID REINFORCEMENT.
- FOR GEOGRID REINFORCEMENT WITH LESS THAN 100% COVERAGE, STAGGER REINFORCEMENT SO GEOGRIDS ARE CENTERED OVER GAPS IN THE REINFORCEMENT LAYER BELOW.
 - AT THE CONTRACTOR'S OPTION, REINFORCEMENT MAY BE INSTALLED WITH THE MD PARALLEL TO THE WALL FACE IF BOTH OF THE FOLLOWING CONDITIONS OCCUR:
- W (REINFORCEMENT ROLL WIDTH) \geq (MINIMUM REQUIRED REINFORCEMENT LENGTH) + 4.5' AND
- REINFORCEMENT STRENGTH IN CD \geq MINIMUM REQUIRED REINFORCEMENT STRENGTH IN MD.
 - SUBMIT A "STANDARD TEMPORARY WALL SELECTION FORM" AT LEAST 7 DAYS BEFORE STARTING TEMPORARY WALL CONSTRUCTION. STANDARD SHORING SELECTION FORMS ARE AVAILABLE FROM: connect.ncdot.gov/resources/Geological/Pages/Geotech_Forms_Details.aspx
 - DO NOT PLACE SHORING BACKFILL OR REINFORCEMENT UNTIL EXCAVATION DIMENSIONS AND FOUNDATION MATERIAL ARE APPROVED.
 - FOR STANDARD TEMPORARY WALLS WITH PILE FOUNDATIONS IN THE REINFORCED ZONE, DRIVE PILES THROUGH REINFORCEMENT AFTER CONSTRUCTING TEMPORARY WALLS.
 - DO NOT SPLICE OR OVERLAP REINFORCEMENT SO SEAMS ARE PARALLEL TO THE WALL FACE.
 - CONTACT THE ENGINEER WHEN EXISTING OR FUTURE OBSTRUCTIONS SUCH AS FOUNDATIONS, PAVEMENTS, PIPES, INLETS OR UTILITIES WILL INTERFERE WITH REINFORCEMENT.
 - FOR STANDARD TEMPORARY WALLS WITH INTERIOR ANGLES LESS THAN 90 DEGREES, WRAP GEOSYNTHETICS AT ACUTE CORNERS AS DIRECTED BY THE ENGINEER.
 - FOR STANDARD TEMPORARY WALLS WITH TOP OF WALL WITHIN 5' OF FINISHED GRADE, REMOVE TOP FACING AND INCORPORATE TOP REINFORCEMENT LAYER INTO FILL WHEN PLACING FILL IN FRONT OF WALL.

PROJECT REFERENCE NO. BR-0002	SHEET NO. 2G-4
GEOTECHNICAL ENGINEER  DocuSigned by: <i>Scott A. Hadden</i> 4/17/2020 <small>7780CAF595F6C0D0 SIGNATURE DATE</small>	ENGINEER
DOCUMENT NOT CONSIDERED FINAL UNLESS ALL SIGNATURES COMPLETED	

SLOPE OR SURCHARGE CASE	GROUNDWATER DEPTH BELOW BOTTOM OF REINFORCED ZONE (SEE NOTE 6 ON SHEET 2) (FT)	SHORING BACKFILL TYPE IN THE REINFORCED ZONE (SEE NOTE 7 ON SHEET 2)	H - WALL HEIGHT (FT)																									
			< 4	5	6	7	8	9	10	11	12	13	14	15	16	17	18	19	20	21	22	23	24	25	26	27	28	
SLOPE CASE	> 0	CLASS II, TYPE I, CLASS III, CLASS V OR CLASS VI SELECT MATERIAL	6	6	7	8	9	11	12	13	13	14	15	16	17	18	19	20	21	22	23	24	24	25	26	27	27	
SURCHARGE CASE	> 0 TO 7 FOR H < 20' > 0 TO 10 FOR H ≥ 20'	ALL SHORING BACKFILL TYPES	6	7	7	8	8	9	9	10	11	11	12	12	13	14	14	15	16	17	17	18	19	19	20	21	22	
		A-2-4 SOIL	6	6	7	8	8	9	9	10	11	11	12	12	13	14	14	15	16	16	17	18	18	19	20	20	21	
		CLASS II, TYPE I OR CLASS III SELECT MATERIAL	6	6	7	7	8	8	9	10	10	11	11	12	12	13	14	15	15	16	16	17	17	18	18	19	20	
	> 7 FOR H < 20' > 10 FOR H ≥ 20'	CLASS V OR CLASS VI SELECT MATERIAL	6	6	7	7	8	8	9	9	10	10	11	12	13	13	14	14	15	15	16	17	17	18	19	19		

L - MINIMUM REQUIRED REINFORCEMENT LENGTH (FT)
(FOR ALL REINFORCEMENT TYPES)

WALL HEIGHT (H) + EMBEDMENT (FT)	NUMBER OF REINFORCEMENT LAYERS*
2.5 - 4	3
4 - 5.5	4
5.5 - 7	5
7 - 8.5	6
8.5 - 10	7
10 - 11.5	8
11.5 - 13	9
13 - 14.5	10
14.5 - 16	11
16 - 17.5	12
17.5 - 19	13
19 - 20.5	14
20.5 - 22	15
22 - 23.5	16
23.5 - 25	17
25 - 26.5	18
26.5 - 28	19
28 - 29.5	20

*BASED ON VERTICAL REINFORCEMENT SPACING SHOWN ON SHEET 1.

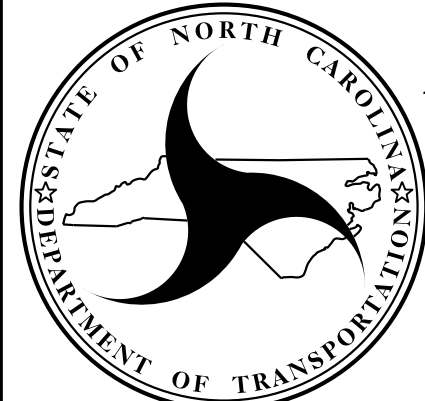
REINFORCEMENT LAYER NUMBER*	SHORING BACKFILL TYPE IN THE REINFORCED ZONE (SEE NOTE 7 ON SHEET 2)				
	SLOPE CASE		SURCHARGE CASE		
	CLASS II, TYPE I OR CLASS III SELECT MATERIAL	CLASS V SELECT MATERIAL	A-2-4 SOIL	CLASS II, TYPE I OR CLASS III SELECT MATERIAL	CLASS V SELECT MATERIAL
1	2400	2400	2400	2400	2400
2	2400	2400	2400	2400	2400
3	2400	2400	2400	2400	2400
4	2400	2400	2500	2400	2400
5	2500	2400	3000	2400	2400
6	3000	2400	3500	2800	2400
7	3500	2700	4000	3200	2600
8	4000	3100	4500	3600	2900
9	4500	3500	5000	4000	3200
10	5000	3900	5500	4400	3500
11	5500	4300	6000	4800	3800
12	6000	4700	6500	5200	4100
13	6500	5100	7000	5600	4400
14	7000	5400	7500	6000	4700
15	7500	5800	8000	6400	5000
16	8000	6200	8500	6800	5300
17	8500	6600	9000	7200	5600
18	9000	7000	9500	7600	5900
19	9500	7400	10000	8000	6200
20	10000	7800	10500	8400	6500

GEOTEXTILE REINFORCEMENT
ULTIMATE TENSILE STRENGTH (LB/FT)

REINFORCEMENT LAYER NUMBER*	SHORING BACKFILL TYPE IN THE REINFORCED ZONE (SEE NOTE 7 ON SHEET 2)				
	SLOPE CASE		SURCHARGE CASE		
	CLASS II, TYPE I OR CLASS III SELECT MATERIAL	CLASS V OR CLASS VI SELECT MATERIAL	A-2-4 SOIL	CLASS II, TYPE I OR CLASS III SELECT MATERIAL	CLASS V OR CLASS VI SELECT MATERIAL
1	240	200	340	290	240
2	380	310	520	430	350
3	530	420	700	570	460
4	690	550	870	720	570
5	860	690	1050	860	680
6	1030	830	1220	1000	790
7	1200	970	1400	1150	900
8	1370	1110	1580	1290	1010
9	1550	1240	1750	1430	1120
10	1720	1380	1930	1580	1230
11	1890	1520	2100	1720	1340
12	2060	1660	2280	1860	1450
13	2240	1800	2450	2010	1560
14	2410	1940	2630	2150	1670
15	2580	2080	2800	2290	1780
16	2750	2220	2980	2440	1890
17	2930	2360	3160	2580	2000
18	3100	2500	3330	2720	2110
19	3270	2640	3510	2860	2220
20	3440	2780	3690	3000	2330

GEOGRID REINFORCEMENT
SHORT-TERM DESIGN STRENGTH (LB/FT)
(SEE NOTE 10 ON SHEET 2.)

MINIMUM REQUIRED REINFORCEMENT STRENGTH IN MD
(SEE NOTE 9 ON SHEET 2.)
*SEE PARTIAL ELEVATION ON SHEET 1 FOR REINFORCEMENT LAYER NUMBERING.



NORTH CAROLINA
DEPARTMENT OF TRANSPORTATION
DIVISION OF HIGHWAYS

**GEOTECHNICAL
ENGINEERING UNIT**

STANDARD DETAIL NO. 1801.02

STANDARD
TEMPORARY WALL
SHEET 3 OF 3

DATE: 11-19-13

STATE OF NORTH CAROLINA DIVISION OF HIGHWAYS

SUMMARY OF EARTHWORK

Station	Station	Uncl. Excav.	Embank. +%	Borrow	Waste
Stage 1					
-L- 15+00.00	-L- 22+40.00	280	5851	5571	
-L- 25+20.00	-L- 32+25.00	1100	949		151
-Y1- 10+12.01	-Y1- 11+85.00	36	209	173	
-Y- 11+70.00	-Y- 15+58.54	42795	3		42793
-DR1- 10+00.00	-DR1- 11+84.75	1066	18		1048
Stage 2					
-L- 15+25.00	-L- 22+40.00	22288	258		22031
-L- 25+20.00	-L- 32+25.00	135	131		4
SUBTOTALS:		67700	7419	5744	66025
SUBTOTALS:					
PROJECT TOTALS:		67700	7419	5744	66025
HARD ROCK WASTE TO REPLACE BORROW				-4163	-4163
ADJUST FOR ROCK SWELL			-833	-833	
ELIMINATE EARTH SHRINKAGE FACTOR			-749	-749	
HARD ROCK WASTE TO REPLACE EARTH EMBANKMENT					
ADJUST FOR ROCK SWELL			-205		205
ELIMINATE EARTH SHRINKAGE FACTOR SINCE THIS MATERIAL IS NOW ROCK			-184		184
APPLY ROCK SWELL FACTOR TO PERMANENTLY WASTED HARD ROCK					2932
APPLY EARTH SHRINKAGE TO PERMANENTLY WASTED HARD ROCK BECAUSE IT IS UNCOMPACTED					2638
PROJECT TOTALS:					
GRAND TOTALS:		67700	5448		67822
SAY:		67800			

Note: Approximate quantities only. Borrow Excavation, Shoulder Borrow, Fine Grading, Clearing and Grubbing, Breaking of Existing Pavement, and Removal of Existing Pavement will be paid for at the contract lump sum price for grading.

Note: Earthwork quantities are calculated by the Roadway Design Unit. These earthwork quantities are based in part on subsurface data provided by the Geotechnical Engineering Unit.

UNDERCUT CONTINGENCY = 450 CY
 SALLOW UNDERCUT CONTINGENCY = 100 CY
 CLASS IV SUBGRADE STABILIZATION CONTINGENCY = 200 CY
 SELECT GRANULAR MATERIAL CONTINGENCY = 400 CY

DDE = 330 CY
 PAVEMENT STRUCTURE VOLUME = 400 CY

HY-31571

COMPUTED BY: Michelle berry DATE: 11/19/2020
CHECKED BY: Christian St. Clare DATE: 12/10/2020

NORTH CAROLINA DEPARTMENT OF TRANSPORTATION
DIVISION OF HIGHWAYS

PROJECT NO. BR-0002 SHEET NO. 3D-1

Note: Invert Elevations indicated are for Bid Purposes only and shall not be used for project construction stakeout.
See "Standard Specifications For Roads and Structures, Section 300-5".

LIST OF PIPES, ENDWALLS, ETC. (FOR PIPES 48 INCHES & UNDER)

Main data table with columns for Line & Station, Offset, Structure Number, Top Elevation, Invert Elevation, Minimum Required Slope, Drainage Pipe, C.S. Pipe, R.C. Pipe Class III, R.C. Pipe Class IV, R.C. Pipe Class V, Endwalls, Reinforced Endwalls, Drainage Structure, Quantities for Drainage Structures, Frame, Grates, and Hood, Concrete Transitional Section, Grate Type, and Remarks.

SHEET TOTALS and PROJECT TOTALS summary rows at the bottom of the table.

ABBREVIATIONS list including C.A.A., C.B., C.S., D.I., G.D.I., H.D.P.E., J.B., M.H., N.S., P.V.C., R.C., T.B.D.I., T.B.J.B., W.S.

REMARKS

**STATE OF NORTH CAROLINA
 DIVISION OF HIGHWAYS**

SUMMARY OF SUBSURFACE DRAINAGE

LINE	Station	Station	Location LT/RT/CL	Drain Type* UD/BD/SD	LF
CONTINGENCY				SD	200
				TOTAL LF:	200

*UD = Underdrain
 *BD = Blind Drain
 *SD = Subsurface Drain

SUMMARY OF PRE-SPLITTING OF ROCK

LINE	Beginning Rock Cut Slope (H:V)	Approx. Station	Ending Rock Cut Slope (H:V)	Approx. Station	Location LT/RT	Pre-splitting of Rock SY
-Y-	1:1	12+50	1:1	15+00	RT	4500
						TOTAL SY: 4500

SUMMARY OF AGGREGATE SUBGRADE/STABILIZATION

LINE	Station	Station	Aggregate Type* ASU(1/2)/ AST	Aggregate Thickness INCHES [8" for ASU(2)]	Shallow Undercut CY	Class IV Subgrade Stabilization TONS	Geotextile for Soil Stabilization SY	Stabilizer Aggregate TONS	Class IV Aggregate Stabilization TONS
CONTINGENCY			ASU (1)		100	200	500		
			TOTAL CY/TONS/SY:		100	200**	500**	0	0

*ASU(1/2) = Aggregate Subgrade (Type 1 or 2)
 *AST = Aggregate Stabilization

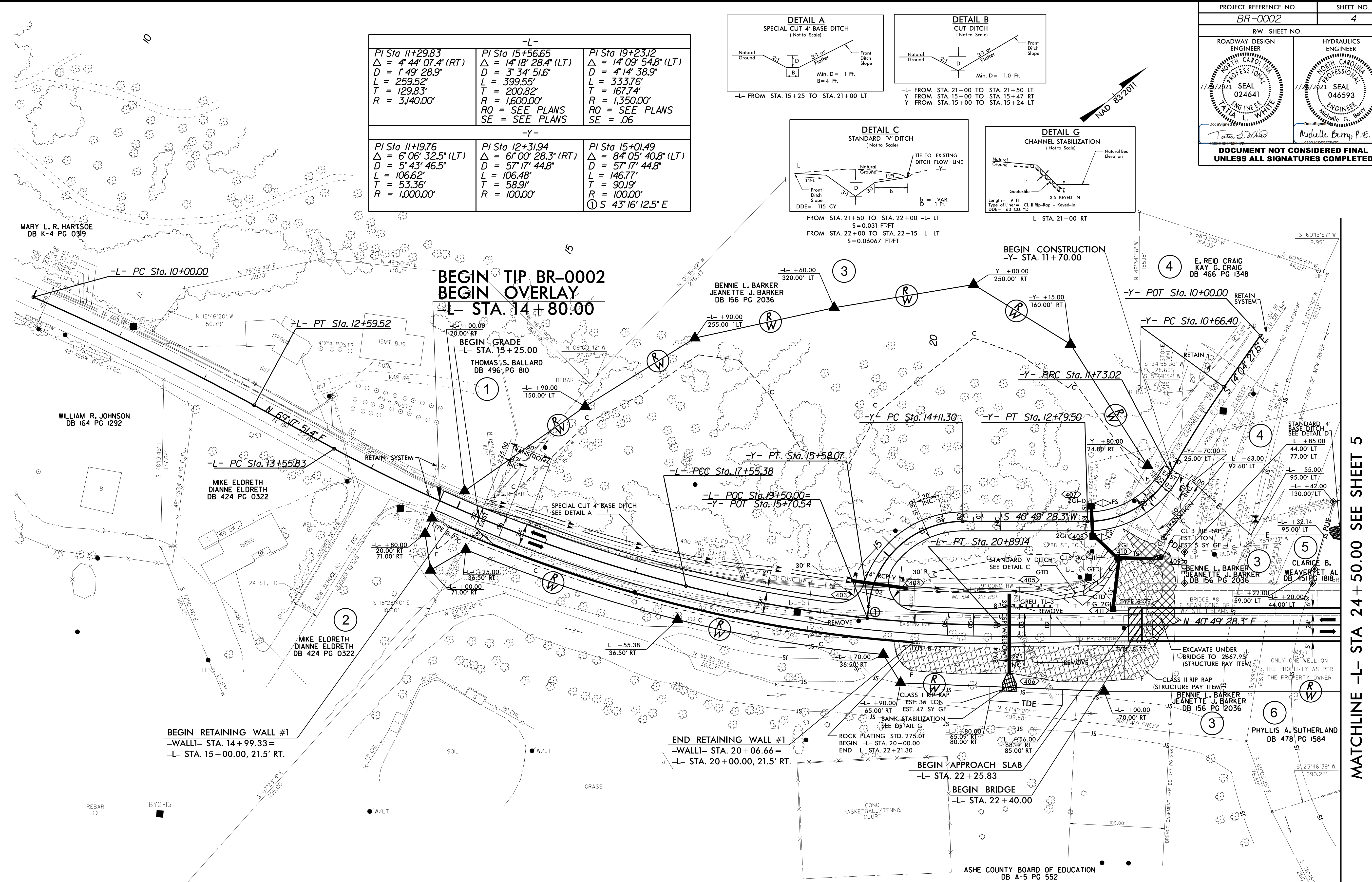
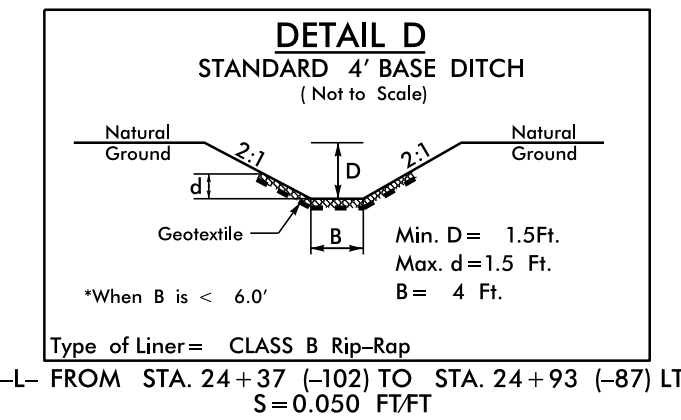
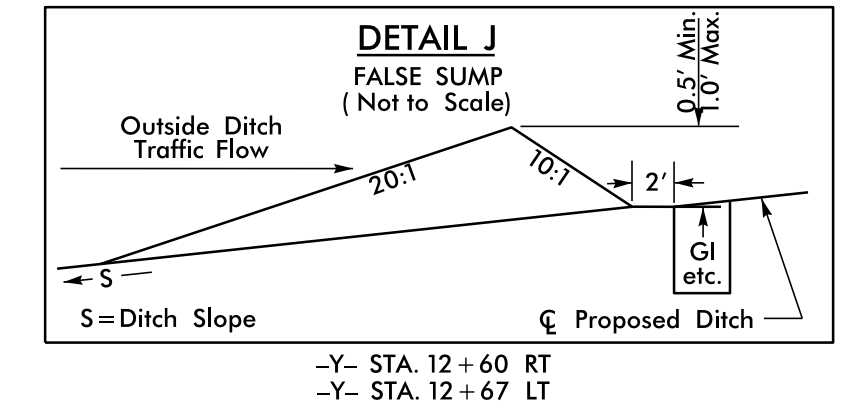
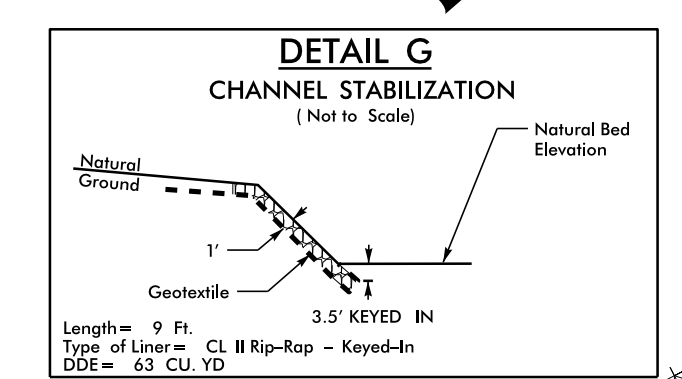
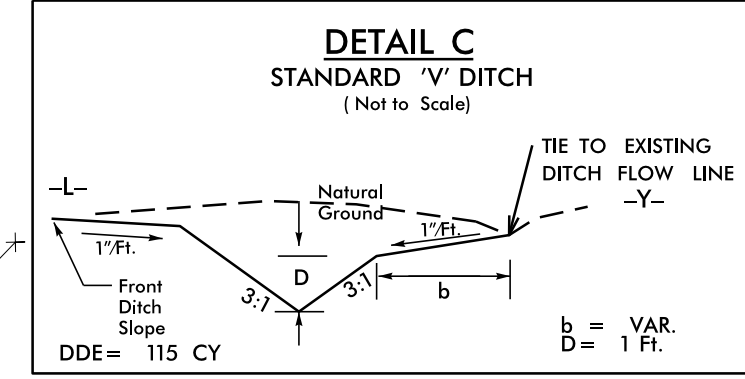
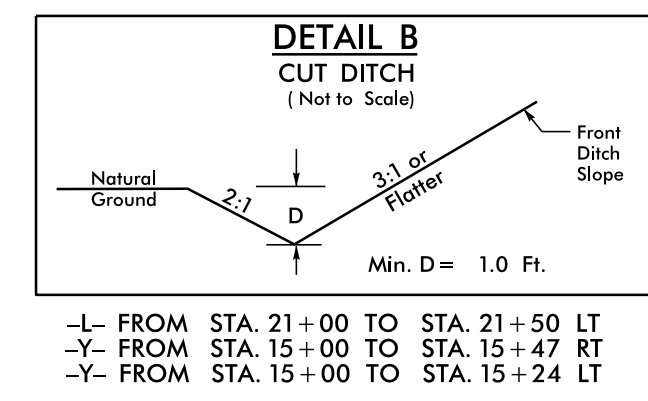
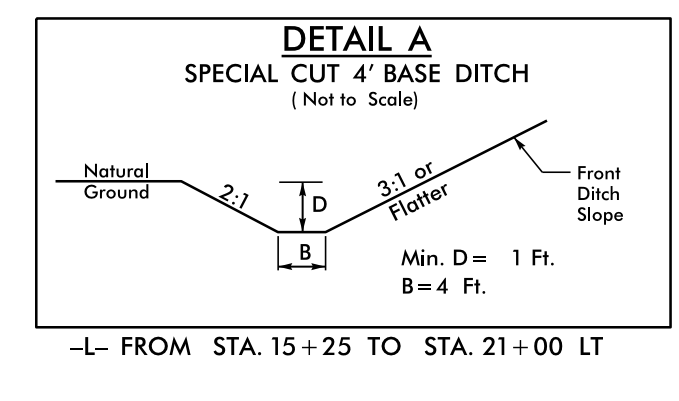
**Total tons of "Class IV Subgrade Stabilization" and total square yards of "Geotextile for Soil Stabilization" are only the estimated quantities for ASU(1/2)/AST and may only represent a portion of the subgrade stabilization and geotextile quantities shown in the Item Sheets of the Proposal.

SUMMARY OF ROCK PLATING

LINE	Beginning Slope (H:V)	Approx. Station	Ending Slope (H:V)	Approx. Station	Location LT/RT	Rock Plating Detail No. 1/2/3/4	Riprap Class* 1/2/B	Rock Plating SY
-L-	1.75:1	20+00	1.5:1	22+21.30	RT	2	2	935
							TOTAL SY:	935

*Use Class 1, 2 or B riprap if riprap class is not shown for rock plating location.

-L-		
PI Sta 11+29.83 Δ = 4° 44' 07.4" (RT) D = 1' 49' 28.9" L = 259.52' T = 129.83' R = 3,140.00'	PI Sta 15+56.65 Δ = 14° 18' 28.4" (LT) D = 3' 34' 51.6" L = 399.55' T = 200.82' R = 1,600.00'	PI Sta 19+23.12 Δ = 14° 09' 54.8" (LT) D = 4' 14' 38.9" L = 333.76' T = 167.74' R = 1,350.00'
-Y-		
PI Sta 11+19.76 Δ = 6° 06' 32.5" (LT) D = 5' 43' 46.5" L = 106.62' T = 53.36' R = 1,000.00'	PI Sta 12+31.94 Δ = 6° 00' 28.3" (RT) D = 57' 17' 44.8" L = 106.48' T = 58.91' R = 100.00'	PI Sta 15+01.49 Δ = 84° 05' 40.8" (LT) D = 57' 17' 44.8" L = 146.77' T = 90.19' R = 100.00' ① S 43° 16' 12.5" E



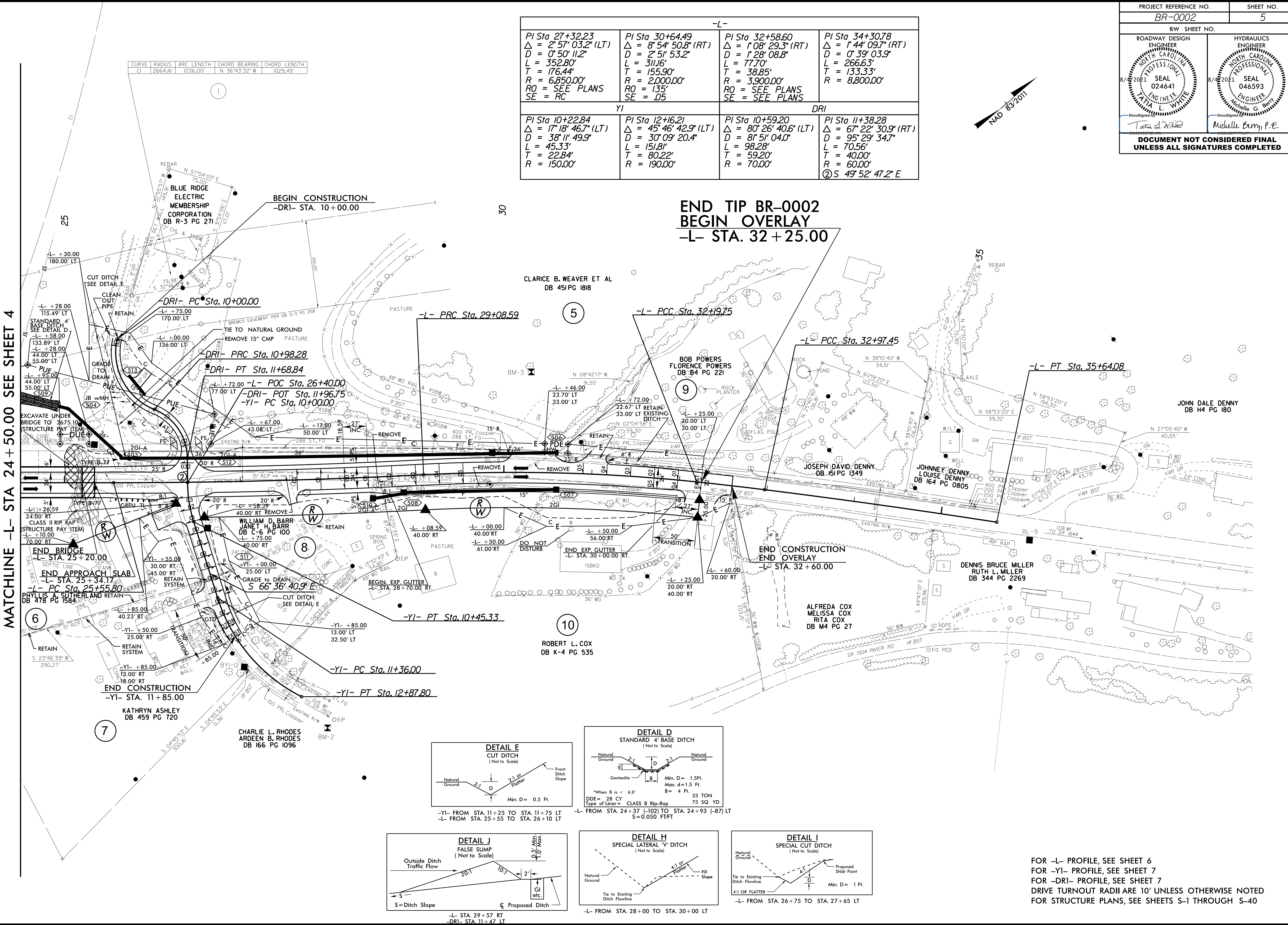
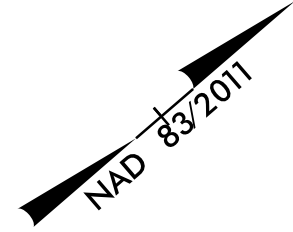
FOR -L- PROFILE, SEE SHEET 6
 FOR -Y- PROFILE, SEE SHEET 7
 FOR STRUCTURE PLANS, SEE SHEETS S-1 THROUGH S-40
 FOR WALL PLANS, SEE SHEETS RW-01 THROUGH RW-08

REVISIONS

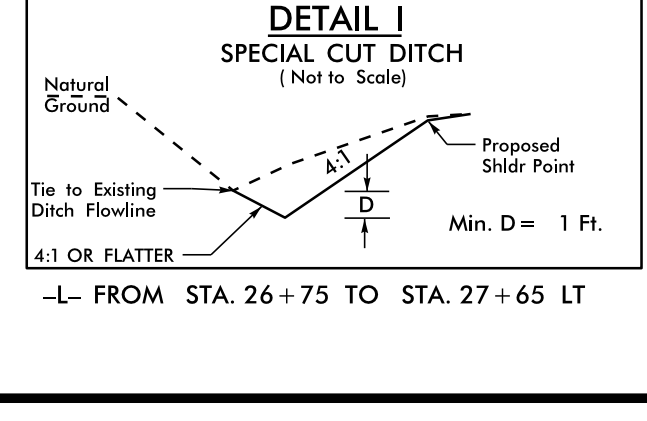
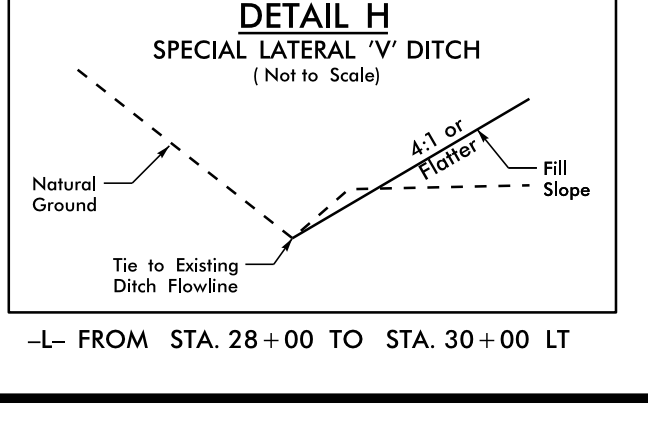
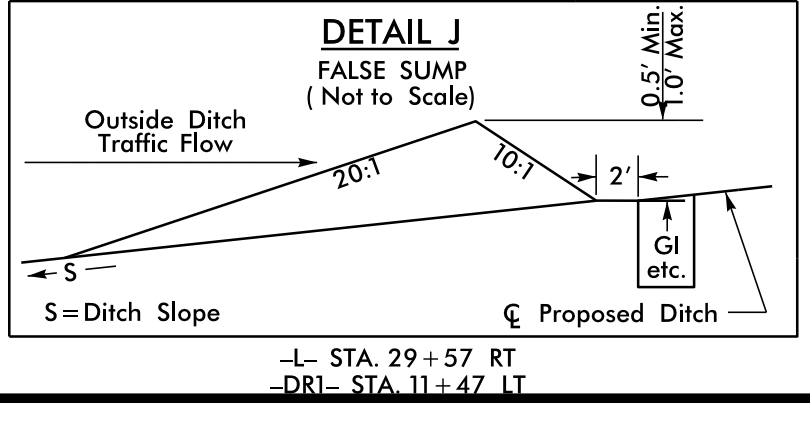
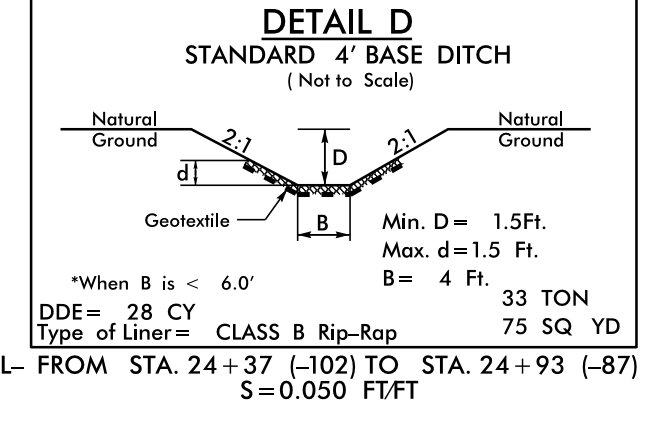
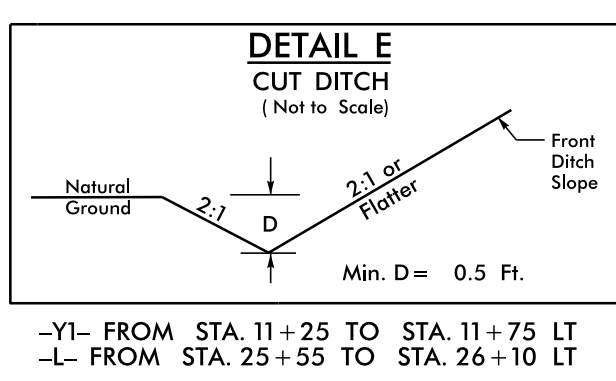
MATCHLINE -L- STA 24 + 50.00 SEE SHEET 5

8/17/99
 28 JUL 2021 10:16 AM BR0002_Rdy_psh_4.dgn
 3:54:58 PM

-L-			
PI Sta 27+32.23 Δ = 2° 57' 03.2" (LT) D = 0' 50' 11.2" L = 352.80' T = 176.44' R = 6,850.00' RO = SEE PLANS SE = RC	PI Sta 30+64.49 Δ = 8° 54' 50.8" (RT) D = 2' 51' 53.2" L = 311.6' T = 155.90' R = 2,000.00' RO = 135' SE = .05	PI Sta 32+58.60 Δ = 1° 08' 29.3" (RT) D = 1' 28' 08.8" L = 77.70' T = 38.85' R = 3,900.00' RO = SEE PLANS SE = SEE PLANS	PI Sta 34+30.78 Δ = 1° 44' 09.7" (RT) D = 0' 39' 03.9" L = 266.63' T = 133.33' R = 8,800.00'
YI		DRI	
PI Sta 10+22.84 Δ = 17° 18' 46.7" (LT) D = 38' 11' 49.9" L = 45.33' T = 22.84' R = 150.00'	PI Sta 12+16.21 Δ = 45° 46' 42.9" (LT) D = 30' 09' 20.4" L = 151.81' T = 80.22' R = 190.00'	PI Sta 10+59.20 Δ = 80° 26' 40.6" (LT) D = 81' 51' 04.0" L = 98.28' T = 59.20' R = 70.00'	PI Sta 11+38.28 Δ = 67° 22' 30.9" (RT) D = 95' 29' 34.7" L = 70.56' T = 40.00' R = 60.00' ② S 49° 52' 47.2" E



MATCHLINE -L- STA 24 + 50.00 SEE SHEET 4



FOR -L- PROFILE, SEE SHEET 6
FOR -YI- PROFILE, SEE SHEET 7
FOR -DRI- PROFILE, SEE SHEET 7
DRIVE TURNOUT RADII ARE 10' UNLESS OTHERWISE NOTED
FOR STRUCTURE PLANS, SEE SHEETS S-1 THROUGH S-40

8/17/99

REVISIONS

04-AUG-2021 06:55 BR0002_Rdwy_psh_5.dgn
3:53:50 PM

5/28/99

PROJECT REFERENCE NO. BR-0002	SHEET NO. 6
ROADWAY DESIGN ENGINEER NORTH CAROLINA PROFESSIONAL SEAL 024641 TATIA L. WHITE	HYDRAULICS ENGINEER NORTH CAROLINA PROFESSIONAL SEAL 046593 MICHELLE G. BERRY
DOCUMENT NOT CONSIDERED FINAL UNLESS ALL SIGNATURES COMPLETED	

BRIDGE HYDRAULIC DATA

DESIGN DISCHARGE	= 14800	CFS
DESIGN FREQUENCY	= 50	YRS
DESIGN HW ELEVATION	= 2674.9	FT
BASE DISCHARGE	= 17400	CFS
BASE FREQUENCY	= 100	YRS
BASE HW ELEVATION	= 2676.2	FT
OVERTOPPING DISCHARGE	= 22900+	CFS
OVERTOPPING FREQUENCY	= +500	YRS
OVERTOPPING ELEVATION	= 2681.9	FT

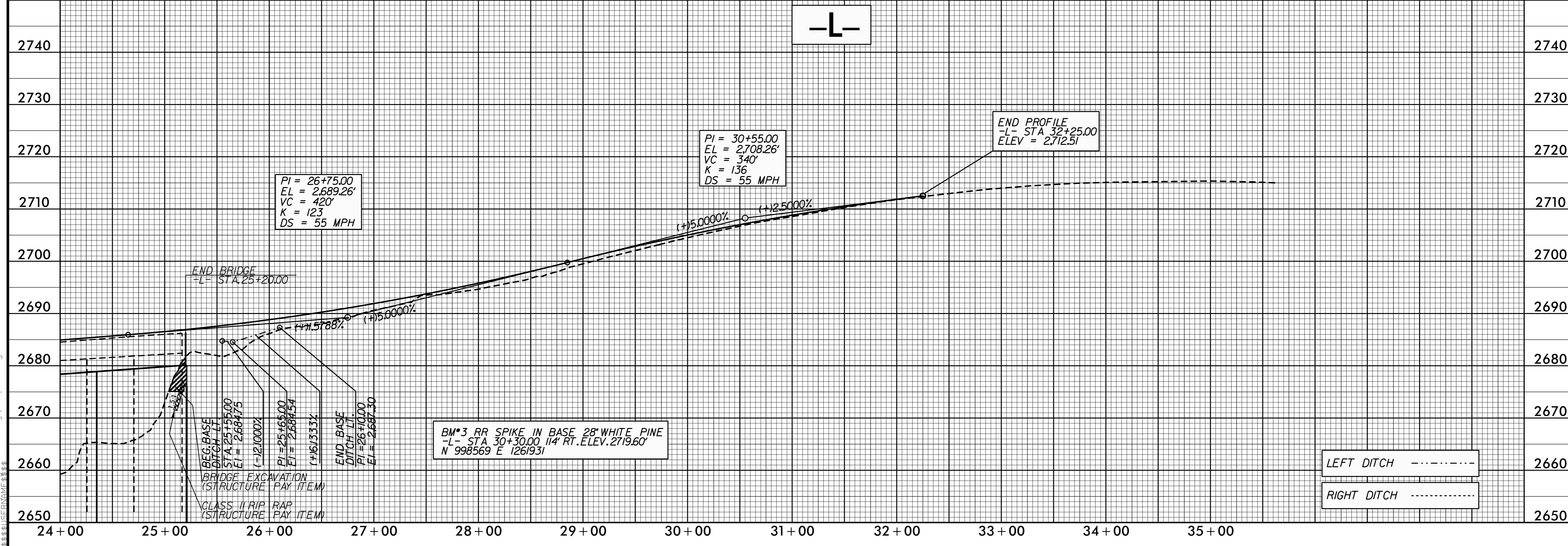
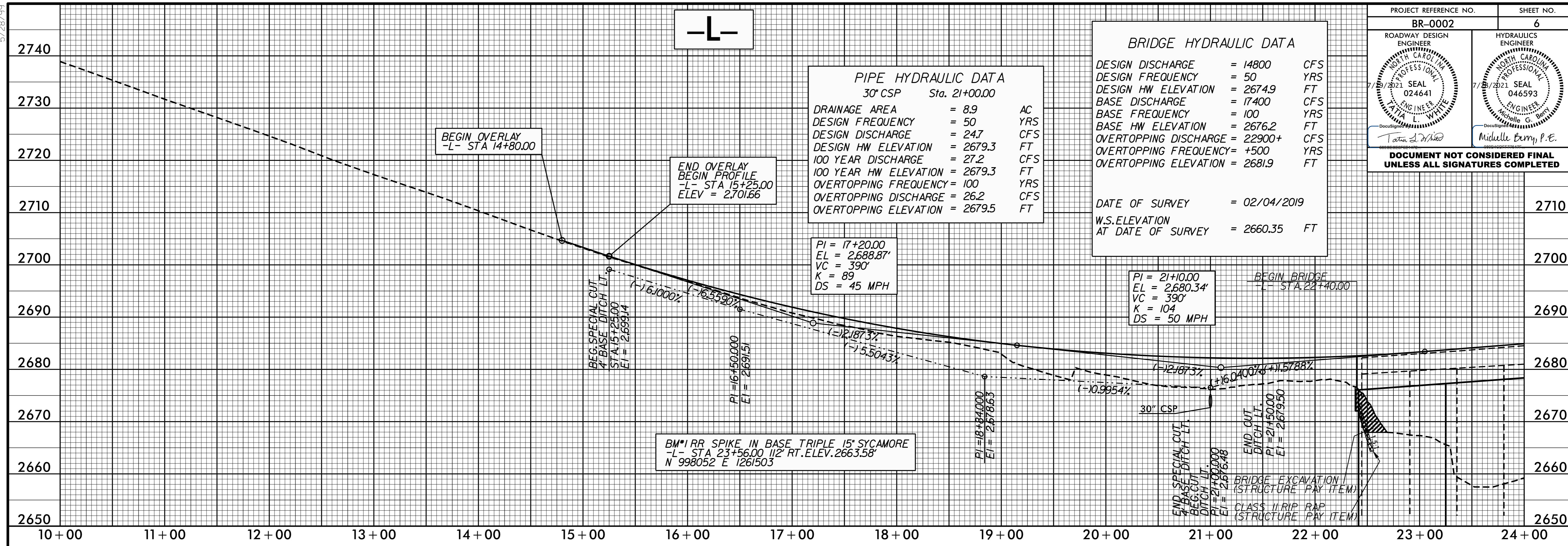
DATE OF SURVEY = 02/04/2019

W.S. ELEVATION AT DATE OF SURVEY = 2660.35 FT

PIPE HYDRAULIC DATA

30" CSP Sta. 21+00.00

DRAINAGE AREA	= 8.9	AC
DESIGN FREQUENCY	= 50	YRS
DESIGN DISCHARGE	= 24.7	CFS
DESIGN HW ELEVATION	= 2679.3	FT
100 YEAR DISCHARGE	= 27.2	CFS
100 YEAR HW ELEVATION	= 2679.3	FT
OVERTOPPING FREQUENCY	= 100	YRS
OVERTOPPING DISCHARGE	= 26.2	CFS
OVERTOPPING ELEVATION	= 2679.5	FT



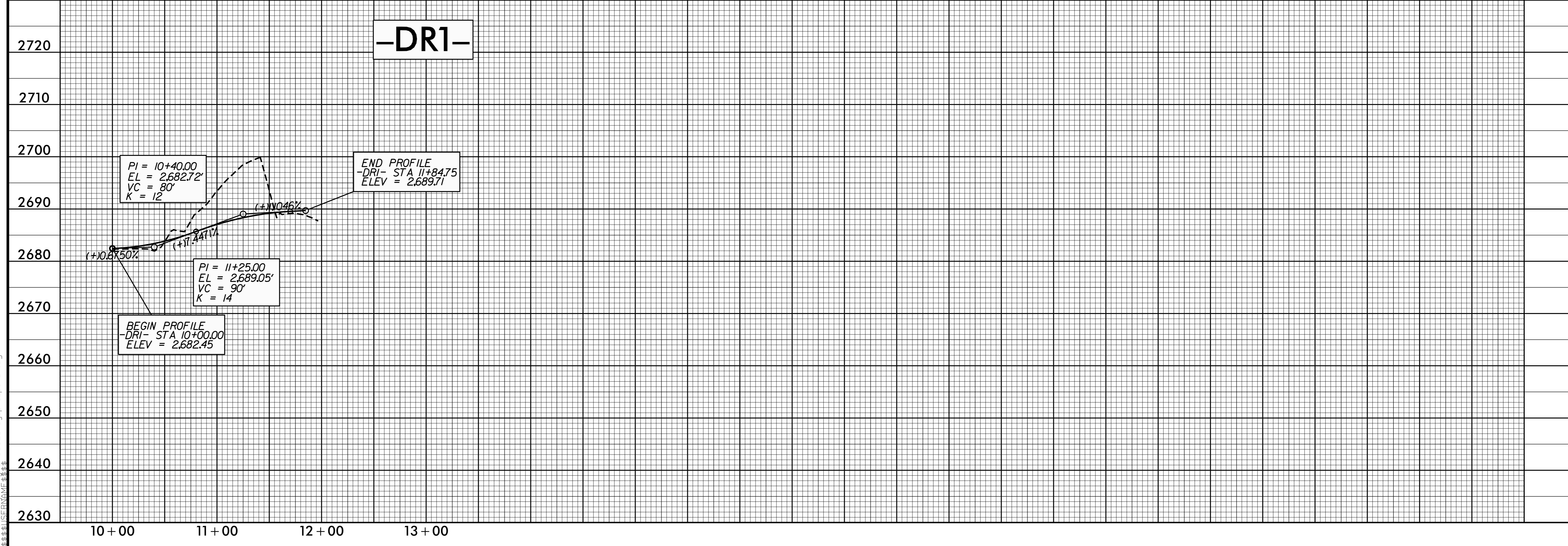
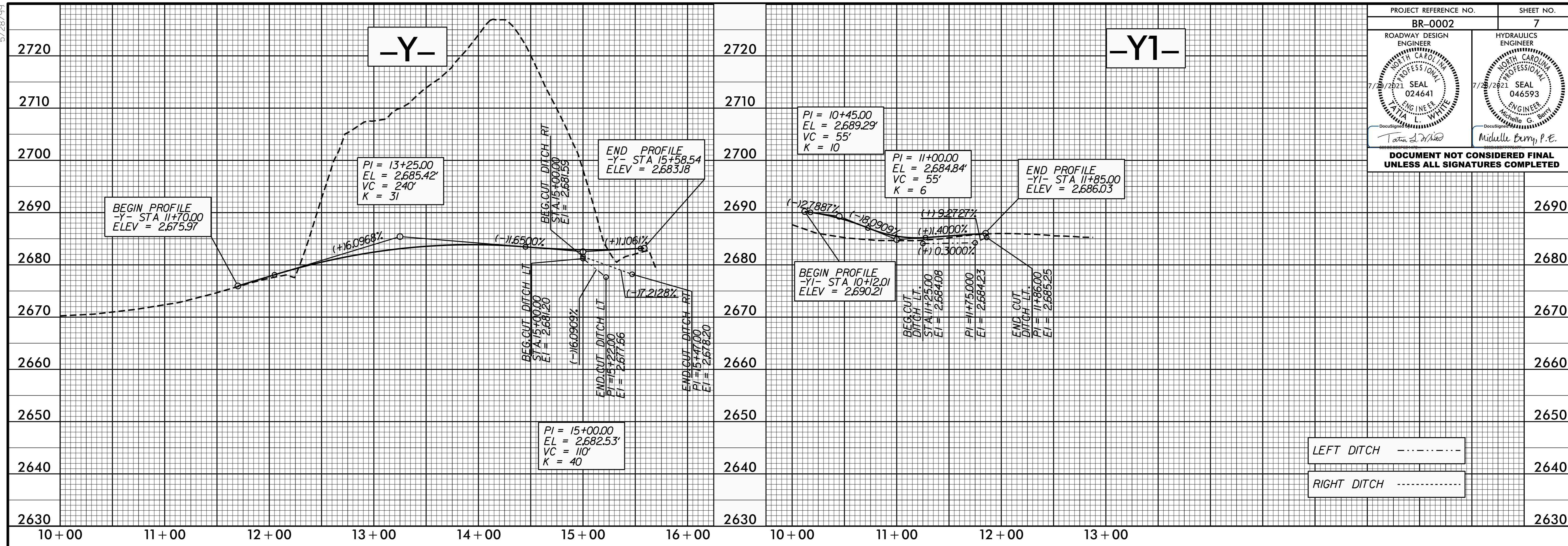
LEFT DITCH - - - - -

RIGHT DITCH - - - - -

26 JUL 2021 11:59 AM 0002.rdy.pl.psh.6.dgn

5/28/99

PROJECT REFERENCE NO. BR-0002	SHEET NO. 7
ROADWAY DESIGN ENGINEER TATIANA L. WHITE 7/8/2021 SEAL 024641	HYDRAULICS ENGINEER Michelle Bump, P.E. 7/8/2021 SEAL 046593
DOCUMENT NOT CONSIDERED FINAL UNLESS ALL SIGNATURES COMPLETED	



26 JUL 2021 11:20 AM 0002.rdy.plt.psh.7.dgn