
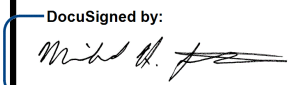
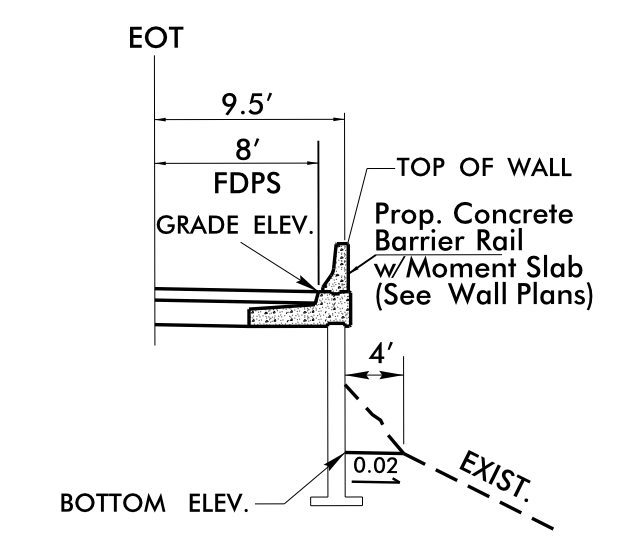
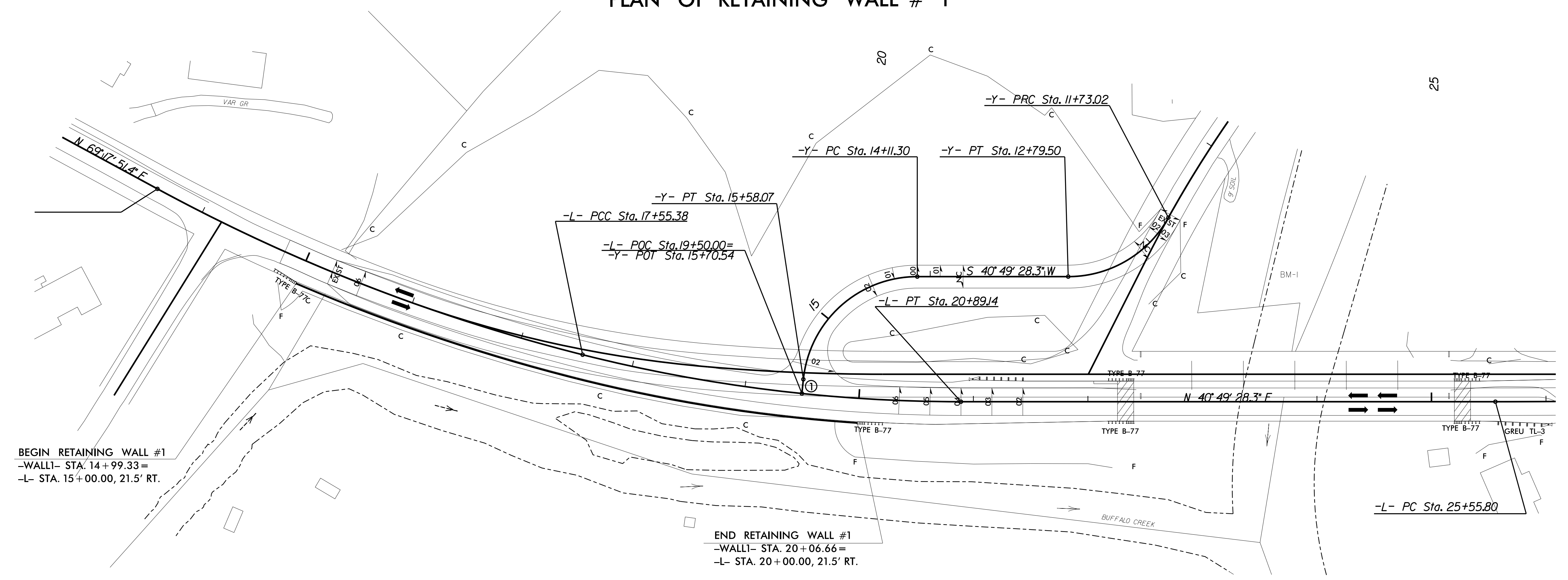


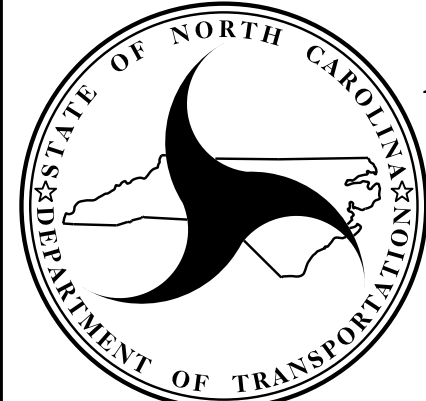
|   |   |
|---|---|
| <b>PROJECT REFERENCE NO.</b><br>49071.1.1(BR-0002)  | <b>SHEET NO.</b><br>RW-01                   |
| GEOTECHNICAL ENGINEER<br><br>MICHAEL H. STEPHENS | ENGINEER<br><br><br><br>_____<br>SIGNATURE  |
| DocuSigned by:<br><br>4/15/2020<br>8190315830    | DATE<br>_____<br>SIGNATURE<br>_____<br>DATE |
| <b>DOCUMENT NOT CONSIDERED FINAL<br/>UNLESS ALL SIGNATURES COMPLETED</b>  |   |



### PLAN OF RETAINING WALL # 1



|                  |               |
|------------------|---------------|
| PREPARED BY: MHS | DATE: 4/14/20 |
| REVIEWED BY: SCC | DATE: 4/14/20 |



**NORTH CAROLINA  
DEPARTMENT OF TRANSPORTATION  
DIVISION OF HIGHWAYS**  
  
**GEOTECHNICAL  
ENGINEERING UNIT**

|   |    |      |     |    |      |
|---|----|------|-----|----|------|
| <b>BRIDGE NO. 8 ON NC 194<br/>OVER N. FORK NEW RIVER<br/>RETAINING WALL NO. 1<br/>PLAN VIEW</b> |    |      |     |    |      |
| <b>REVISIONS</b>  |    |      |     |    |      |
| NO.   | BY | DATE | NO. | BY | DATE |
| 1   |    |      | 3   |    |      |
| 2   |    |      | 4   |    |      |