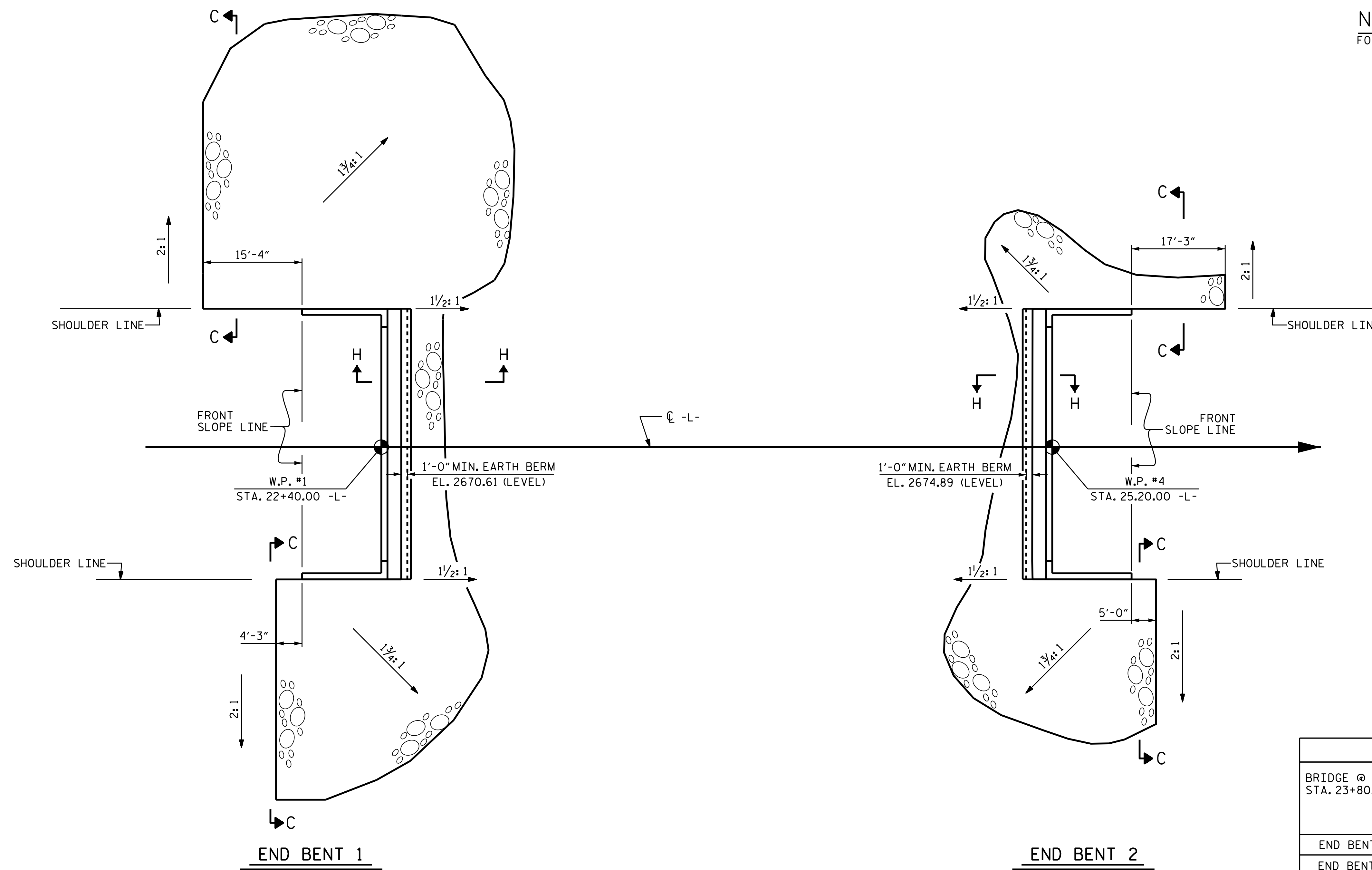
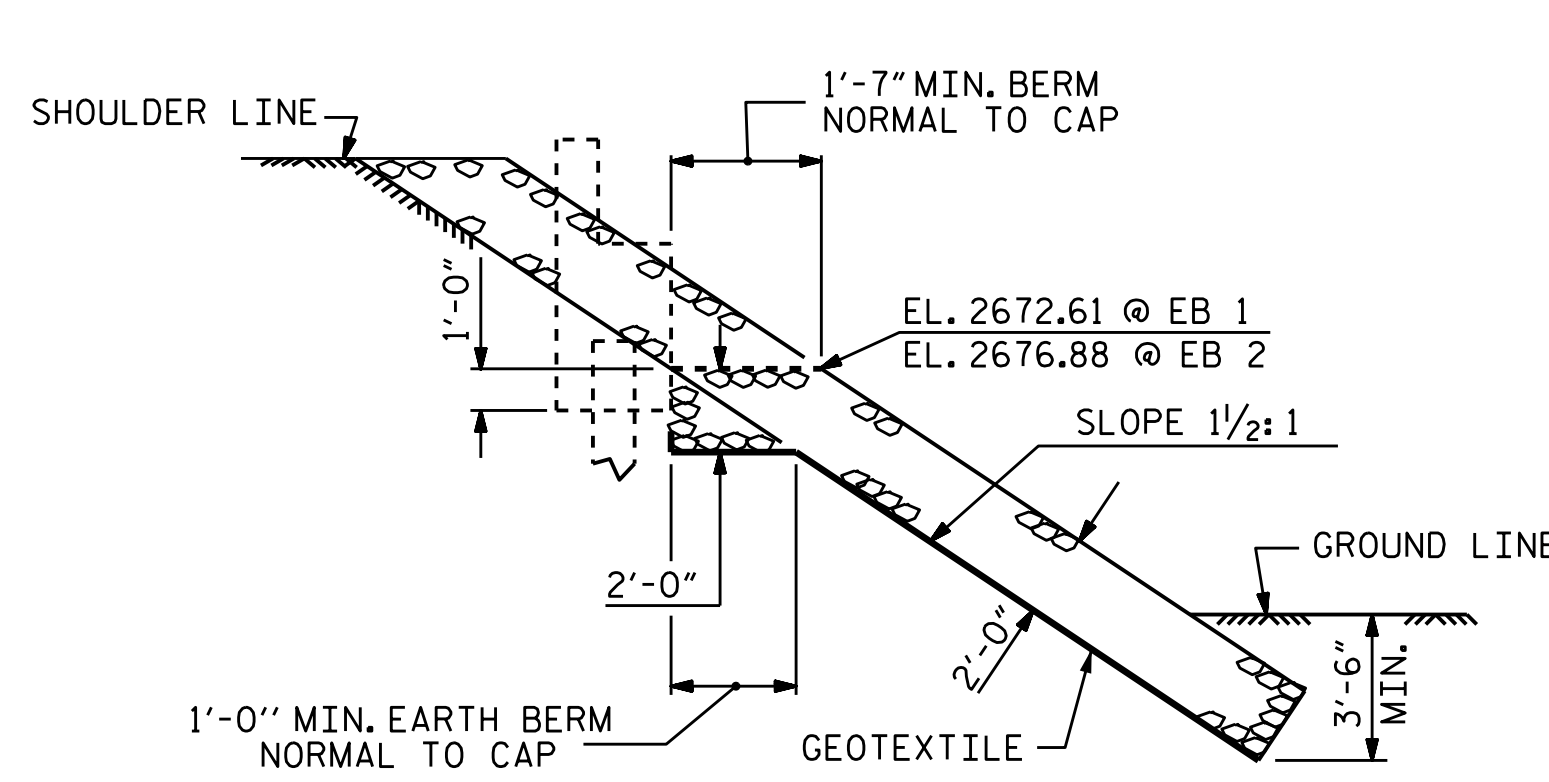


NOTES :
FOR BERM WIDTH DIMENSIONS, SEE GENERAL DRAWING.

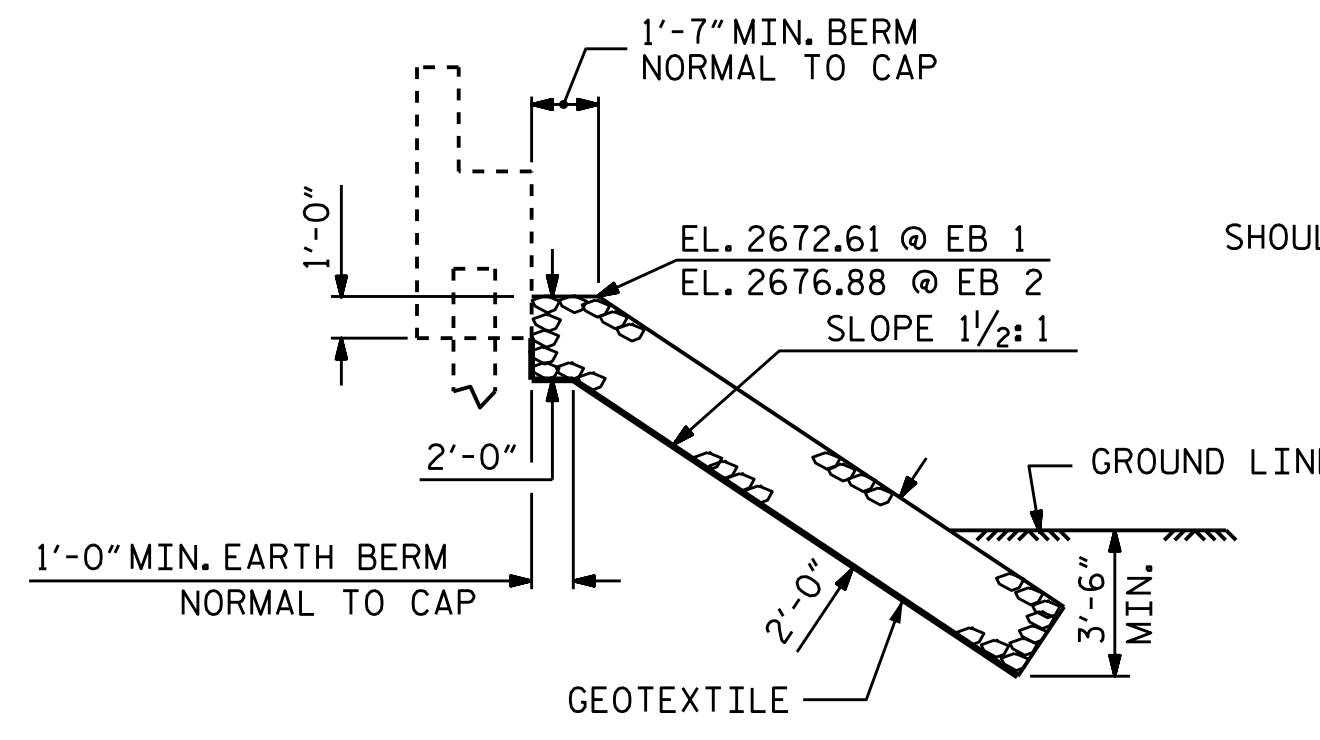


PLAN

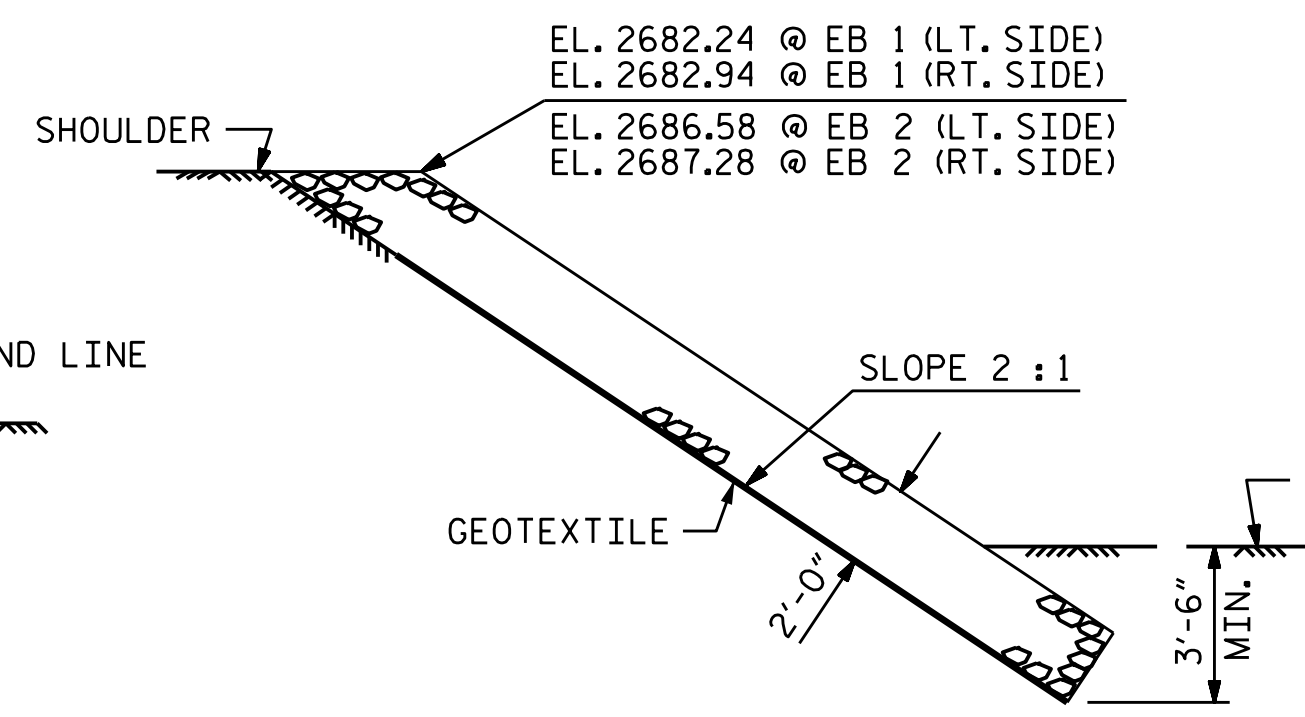
ESTIMATED QUANTITIES		
BRIDGE @ STA. 23+80.00 -L-	RIP RAP CLASS II (2'-0" THICK)	GEOTEXTILE FOR DRAINAGE
	TONS	SQUARE YARDS
END BENT 1	387	430
END BENT 2	181	201



SECTION H-H

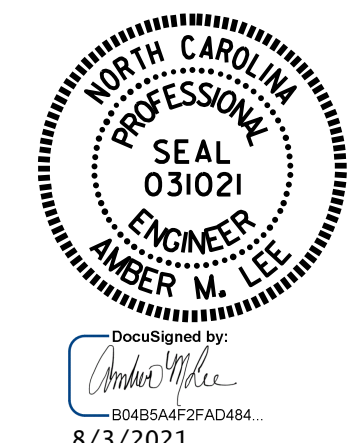


SECTION C-C
BERM RIP RAPPED



SECTION C-C

PROJECT NO. BR-0002
ASHE COUNTY
STATION: 23+80.00 -L-



STATE OF NORTH CAROLINA
DEPARTMENT OF TRANSPORTATION
RALEIGH
RIP RAP DETAILS

DRAWN BY : M. G. SHAIKH DATE : 06/2020
CHECKED BY : H. LOCKLEAR DATE : 06/2020
DESIGN ENGINEER OF RECORD : K. PUROHIT DATE : 11/2019

DOCUMENT NOT CONSIDERED
FINAL UNLESS ALL
SIGNATURES COMPLETED

REVISIONS						SHEET NO.
NO.	BY:	DATE:	NO.	BY:	DATE:	TOTAL SHEETS
1			3			S-38
2			4			40