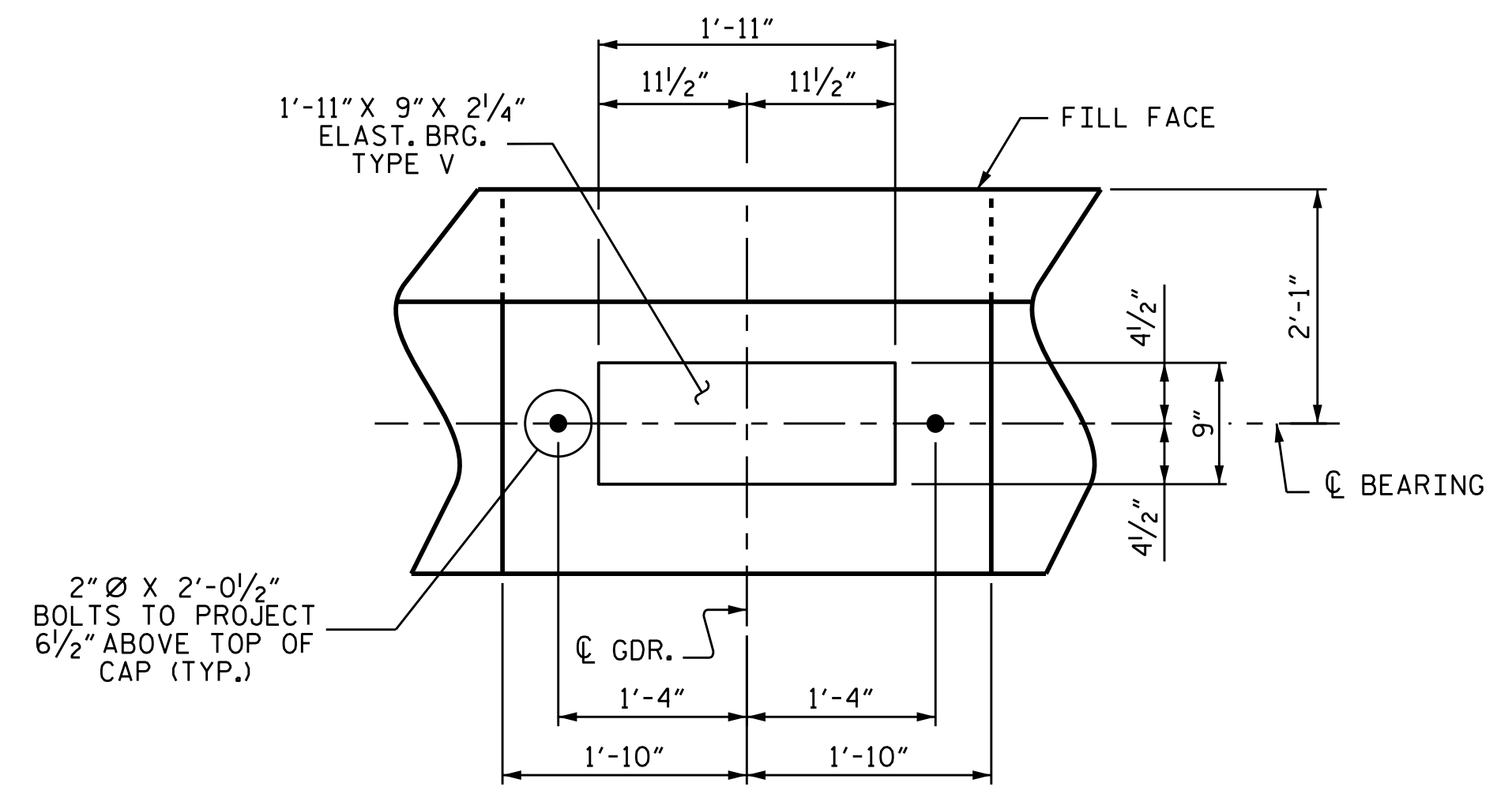
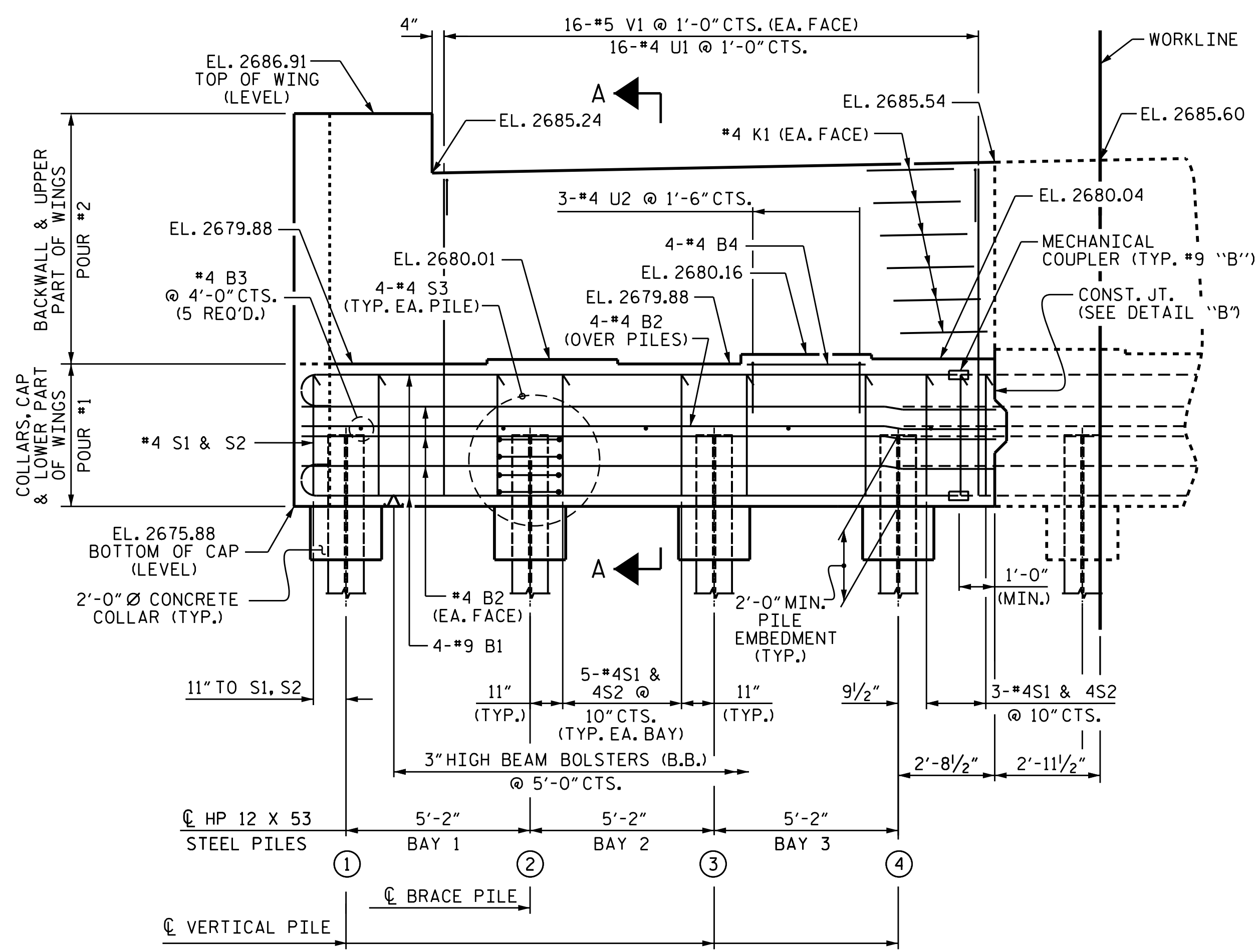


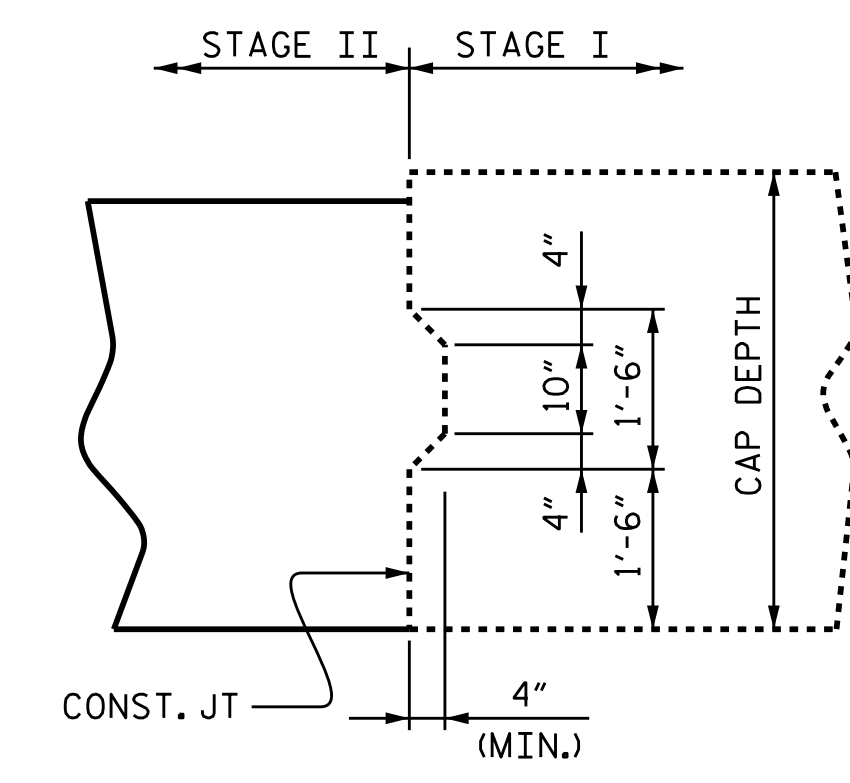
PLAN



DETAIL "A"



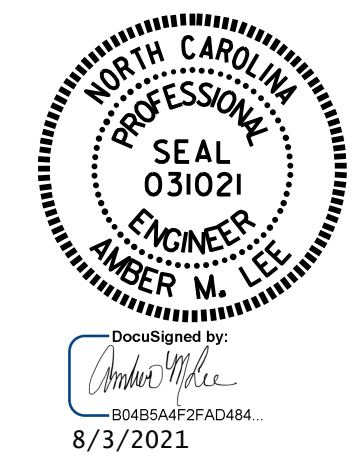
ELEVATION



DETAIL "B"

PROJECT NO. BR-0002  
 ASHE COUNTY  
 STATION: 23+80.00 -L-

SHEET 2 OF 4



STATE OF NORTH CAROLINA  
 DEPARTMENT OF TRANSPORTATION  
 RALEIGH

SUBSTRUCTURE  
 END BENT 2  
 (STAGE II)

DRAWN BY : A. SORSENGINH DATE : 06/2020  
 CHECKED BY : K. PUROHIT DATE : 06/2020  
 DESIGN ENGINEER OF RECORD : J. TILLMAN DATE : 12/2019

DOCUMENT NOT CONSIDERED  
 FINAL UNLESS ALL  
 SIGNATURES COMPLETED

REVISIONS						SHEET NO.
NO.	BY:	DATE:	NO.	BY:	DATE:	S-35
1			3			TOTAL SHEETS
2			4			40