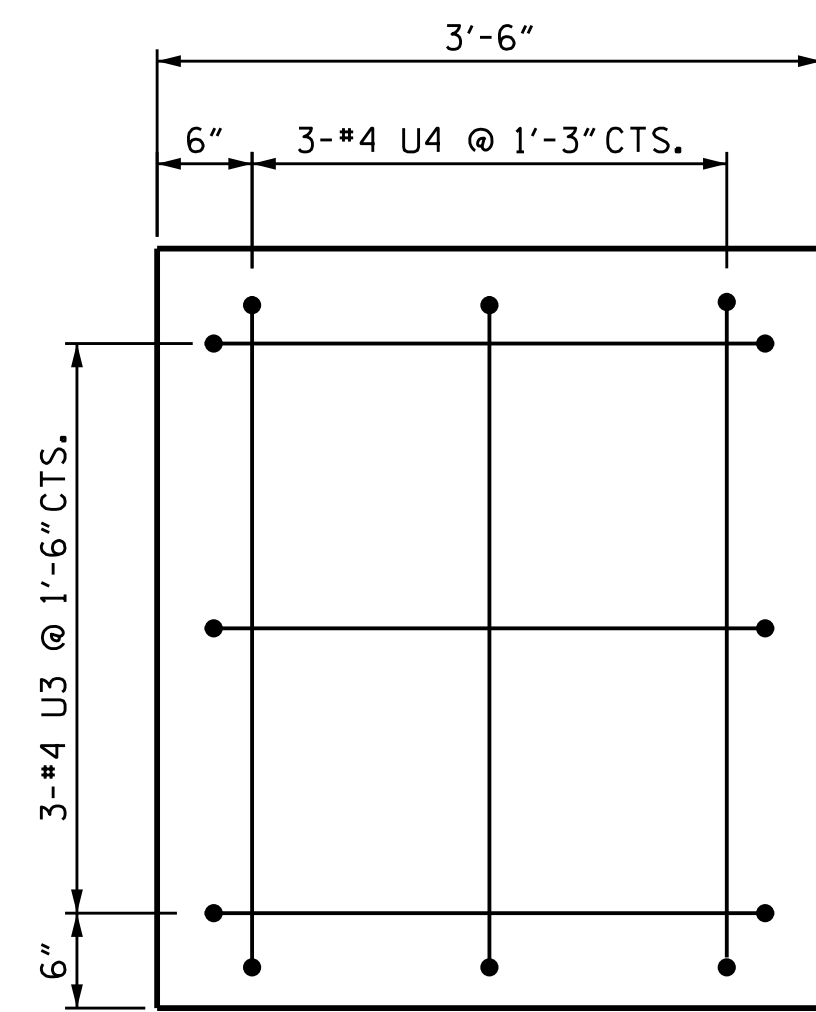
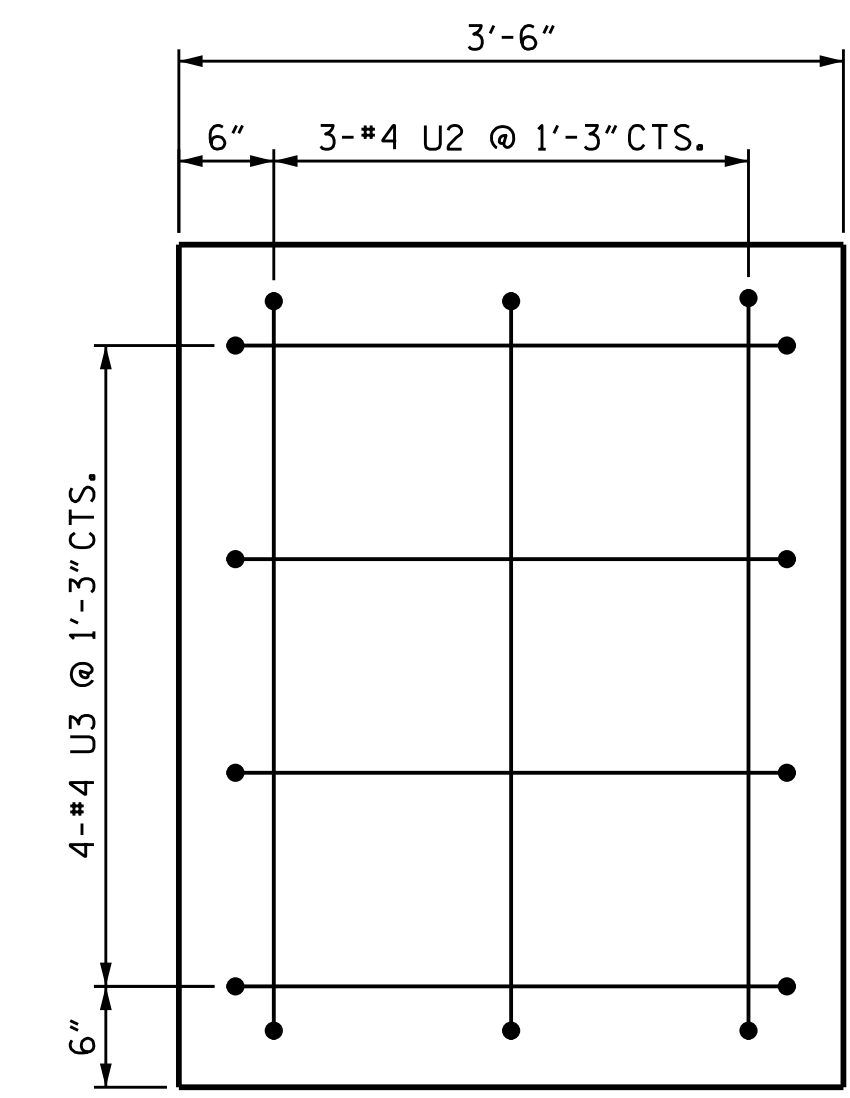


SECTION A-A

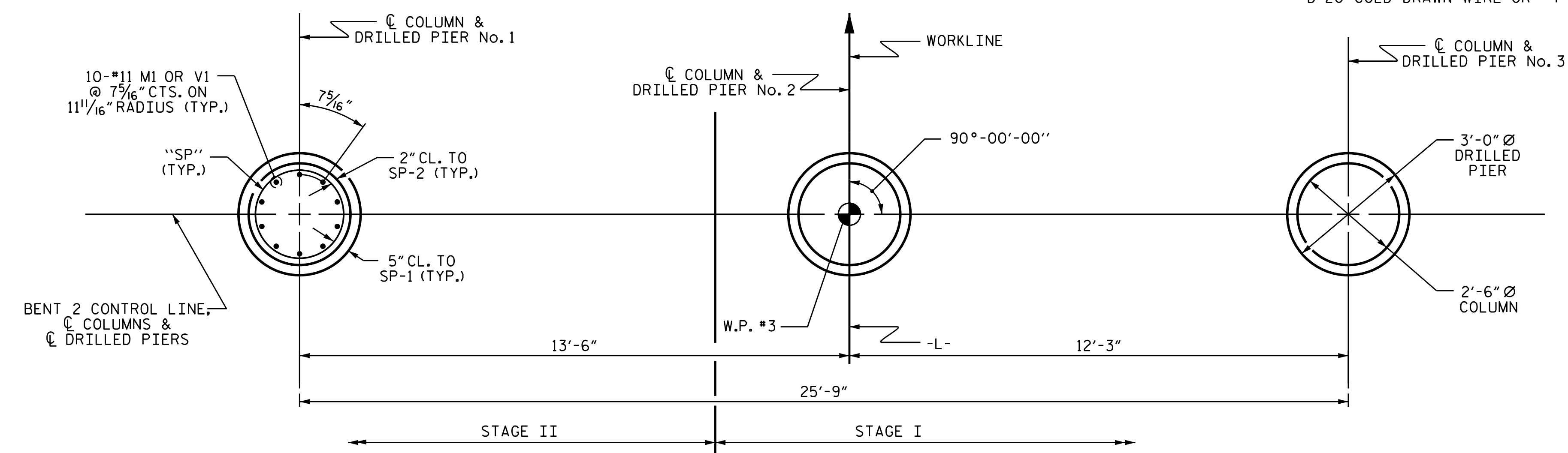
SECTION B-B



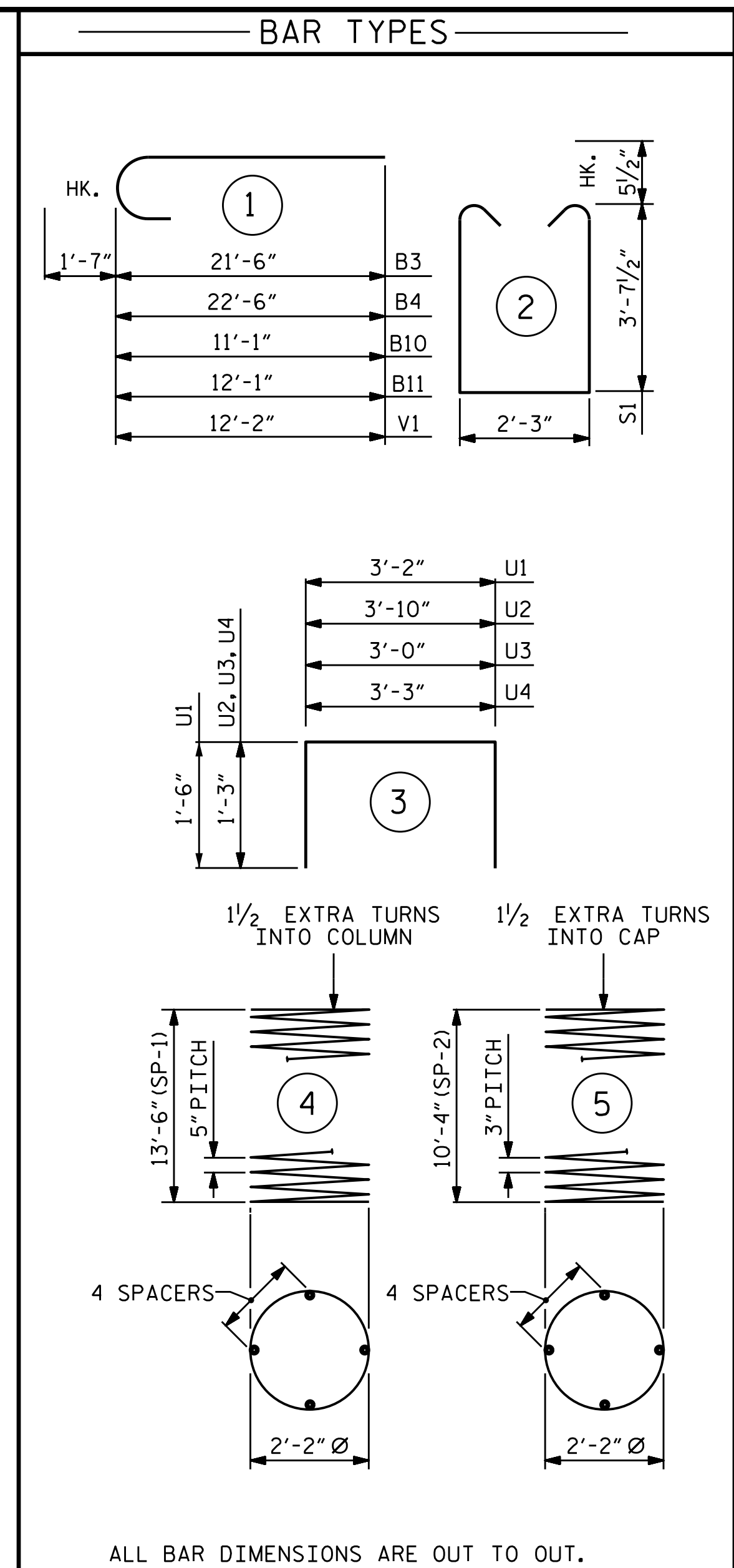
VIEW X-X



VIEW Y-Y



PLAN OF COLUMNS AND DRILLED PIERS



ALL BAR DIMENSIONS ARE OUT TO OUT.  
 \* THE SP-1 SPIRAL REINFORCING STEEL SHALL BE W31 OR D-31 COLD DRAWN WIRE OR #5 PLAIN OR DEFORMED BAR.  
 \*\* THE SP-2 SPIRAL REINFORCING STEEL SHALL BE W20 OR D-20 COLD DRAWN WIRE OR #4 PLAIN OR DEFORMED BAR.

BILL OF MATERIAL-BENT 2

STAGE I						STAGE II					
BAR NO.	SIZE	TYPE	LENGTH	WEIGHT		BAR NO.	SIZE	TYPE	LENGTH	WEIGHT	
B1	3	#11	STR	21'-6"	343	B8	2	#11	STR	11'-1"	118
B2	2	#11	STR	22'-6"	239	B9	3	#11	STR	12'-1"	193
B3	3	#11	1	23'-1"	368	B10	2	#11	1	12'-8"	135
B4	2	#11	1	24'-1"	256	B11	3	#11	1	13'-8"	218
B5	6	#4	STR	21'-11"	88	B12	6	#4	STR	14'-0"	56
B6	5	#4	STR	15'-6"	52						
B7	5	#4	STR	3'-10"	13	M1	10	#11	STR	21'-7"	1147
M1	20	#11	STR	21'-7"	2293	S1	38	#5	2	10'-5"	413
S1	46	#5	2	10'-5"	500	U1	18	#4	3	6'-2"	74
						U3	3	#4	3	5'-6"	11
U1	25	#4	3	6'-2"	103	U4	3	#4	3	5'-9"	12
U2	3	#4	3	6'-4"	13						
U3	4	#4	3	5'-6"	15	V1	10	#11	1	13'-9"	731
V1	20	#11	1	13'-9"	1461						
REINFORCING STEEL					5744 LBS	REINFORCING STEEL					3108
SPIRAL REINFORCING STEEL						SPIRAL REINFORCING STEEL					
SP-1	2	*	4	226'-4"	472	SP-1	1	*	4	226'-4"	236
SP-2	2	**	5	287'-4"	384	SP-2	1	**	5	287'-4"	192
SPIRAL REINFORCING STEEL					856 LBS.	SPIRAL REINFORCING STEEL					428 LBS.
CLASS A CONCRETE :						CLASS A CONCRETE :					
POUR 3 (CAP)					11.3 C.Y.	POUR 3 (CAP)					7.6 C.Y.
POUR 2 (COLUMN)					3.7 C.Y.	POUR 2 (COLUMN)					1.9 C.Y.
TOTAL					15 C.Y.	TOTAL					9.5 C.Y.
DRILLED PIERS						DRILLED PIER					
DRILLED PIER CONCRETE						DRILLED PIER CONCRETE					
POUR 1 (DRILLED PIERS)					7.3 C.Y.	POUR 1 (DRILLED PIER)					3.7 C.Y.
3'-0" Ø DRILLED PIERS IN SOIL					13 LIN. FT.	3'-0" Ø DRILLED PIER IN SOIL					7 LIN. FT.
3'-0" Ø DRILLED PIERS NOT IN SOIL					15 LIN. FT.	3'-0" Ø DRILLED PIER NOT IN SOIL					7 LIN. FT.
CSL TUBES					124 FT.	CSL TUBES					62 FT.
CSL TESTING					1 EACH						
SUMMARY BILL OF MATERIAL											
REINFORCING STEEL					= 8852 LBS.	3'-0" Ø DRILLED PIERS IN SOIL					= 20 LIN. FT.
SPIRAL REINFORCING STEEL					= 1284 LBS.	3'-0" Ø DRILLED PIERS NOT IN SOIL					= 22 LIN. FT.
CLASS A CONCRETE					= 24.5 C.Y.						
DRILLED PIER CONCRETE					= 11.0 C.Y.						
CSL TESTING					= 1 EACH						

DRAWN BY : K. PUROHIT DATE : 01/2020  
 CHECKED BY : H. LOCKLEAR DATE : 01/2020  
 DESIGN ENGINEER OF RECORD : K. PUROHIT DATE : 01/2020

DOCUMENT NOT CONSIDERED FINAL UNLESS ALL SIGNATURES COMPLETED

PROJECT NO. BR-0002  
 ASHE COUNTY  
 STATION: 23+80.00 -L-  
 SHEET 3 OF 3

STATE OF NORTH CAROLINA  
 DEPARTMENT OF TRANSPORTATION  
 RALEIGH

SUBSTRUCTURE  
 BENT 2  
 (STAGE I & II)

REVISIONS

NO.	BY:	DATE:	NO.	BY:	DATE:
3					
4					

SHEET NO. S-33  
 TOTAL SHEETS 40