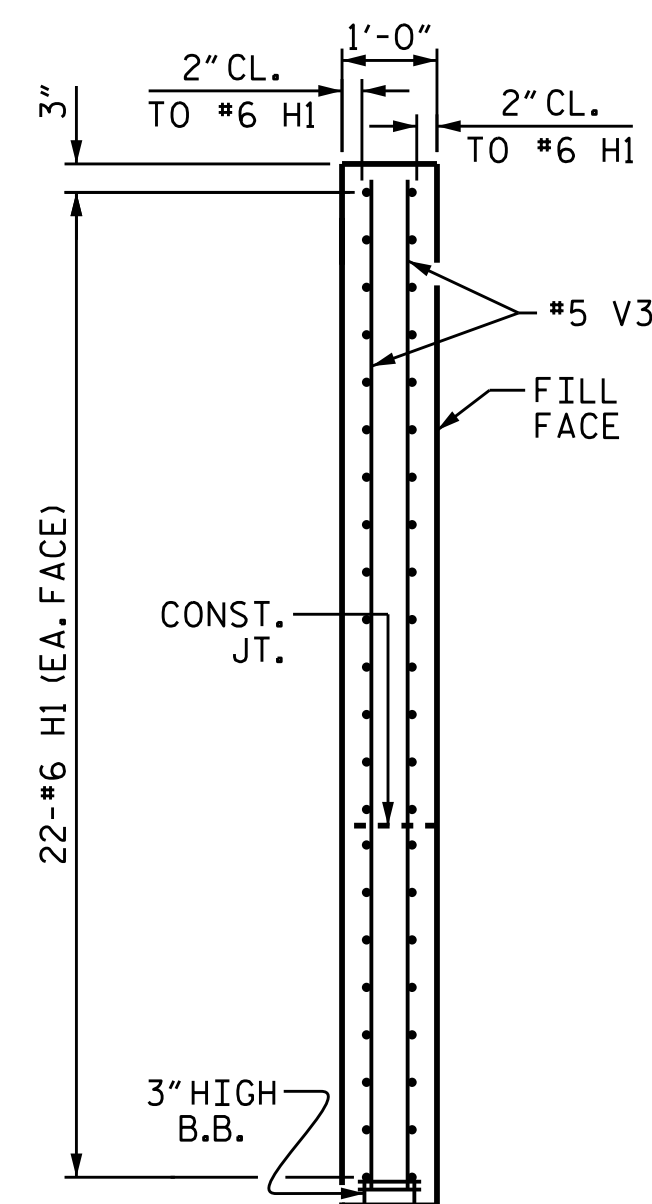
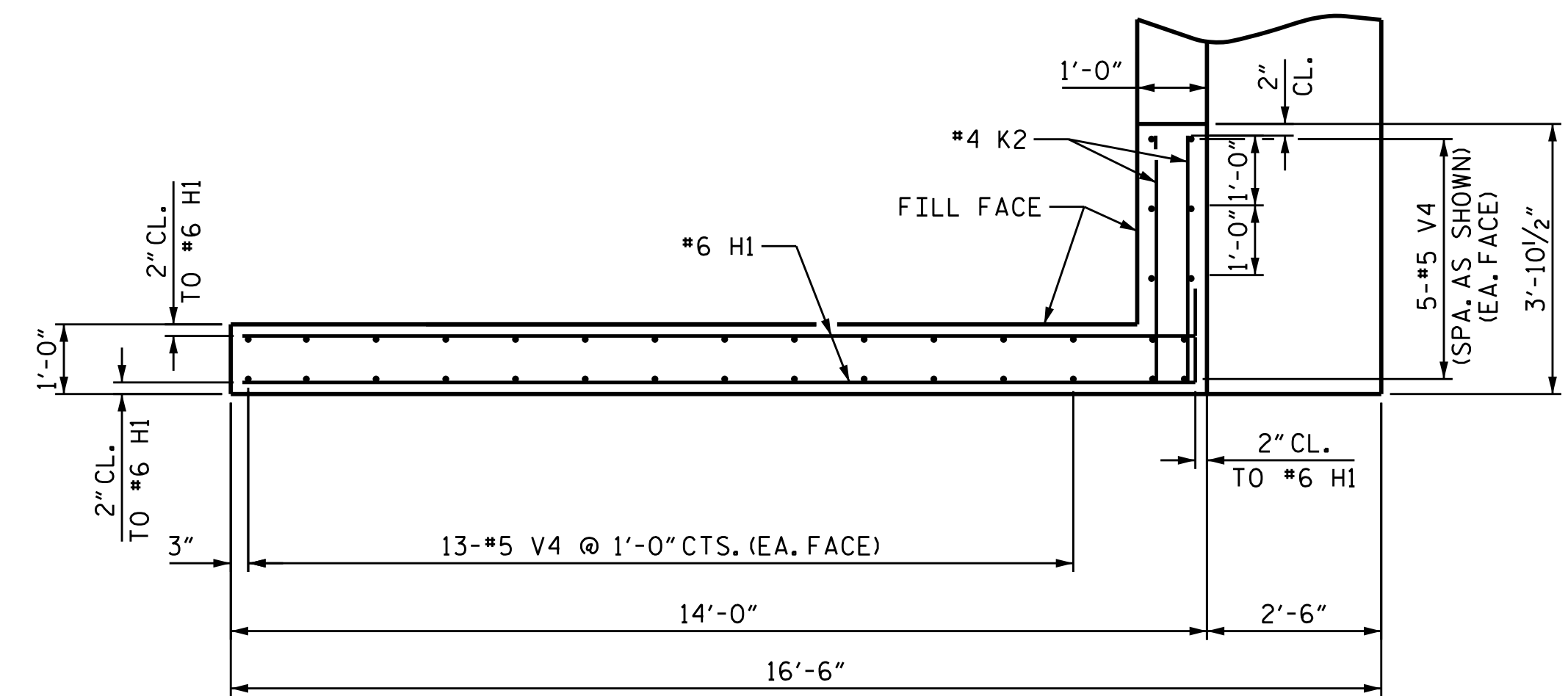


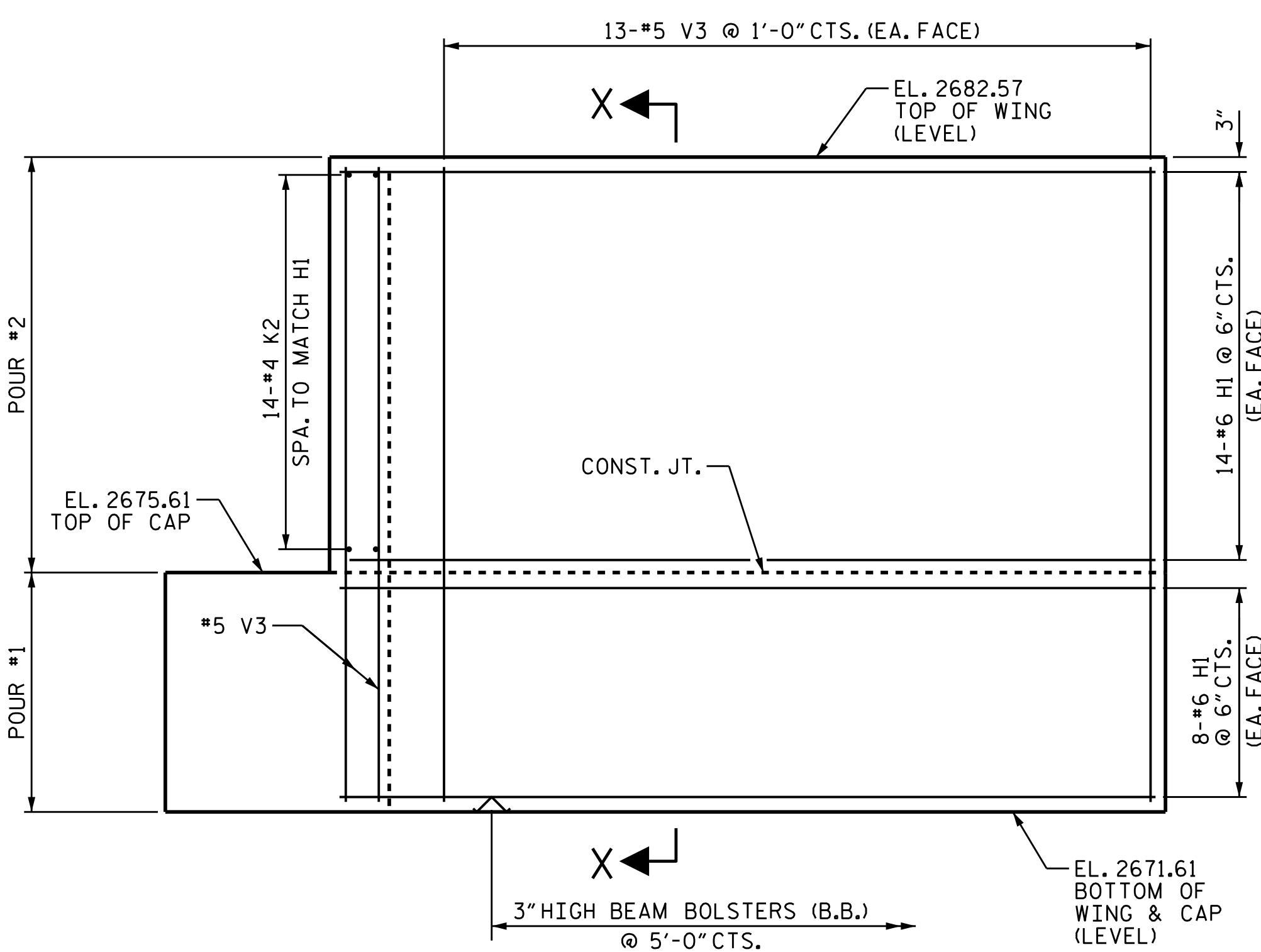
PLAN OF RIGHT WING - W1  
(STAGE II)



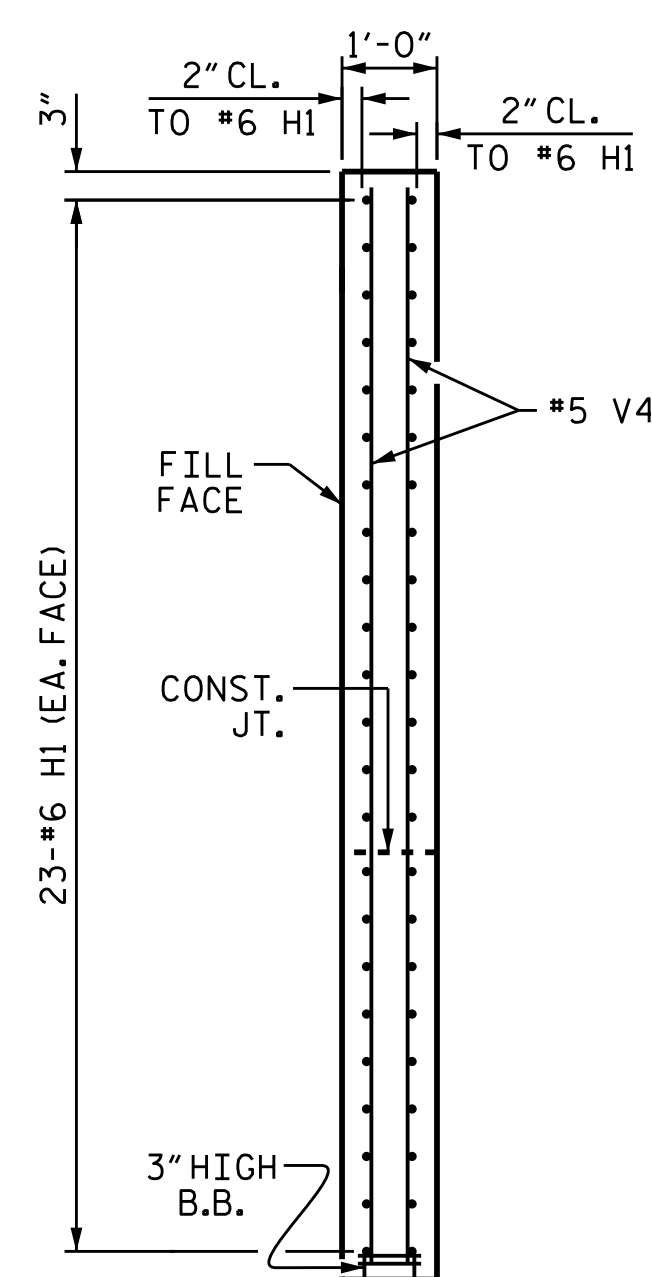
SECTION X-X



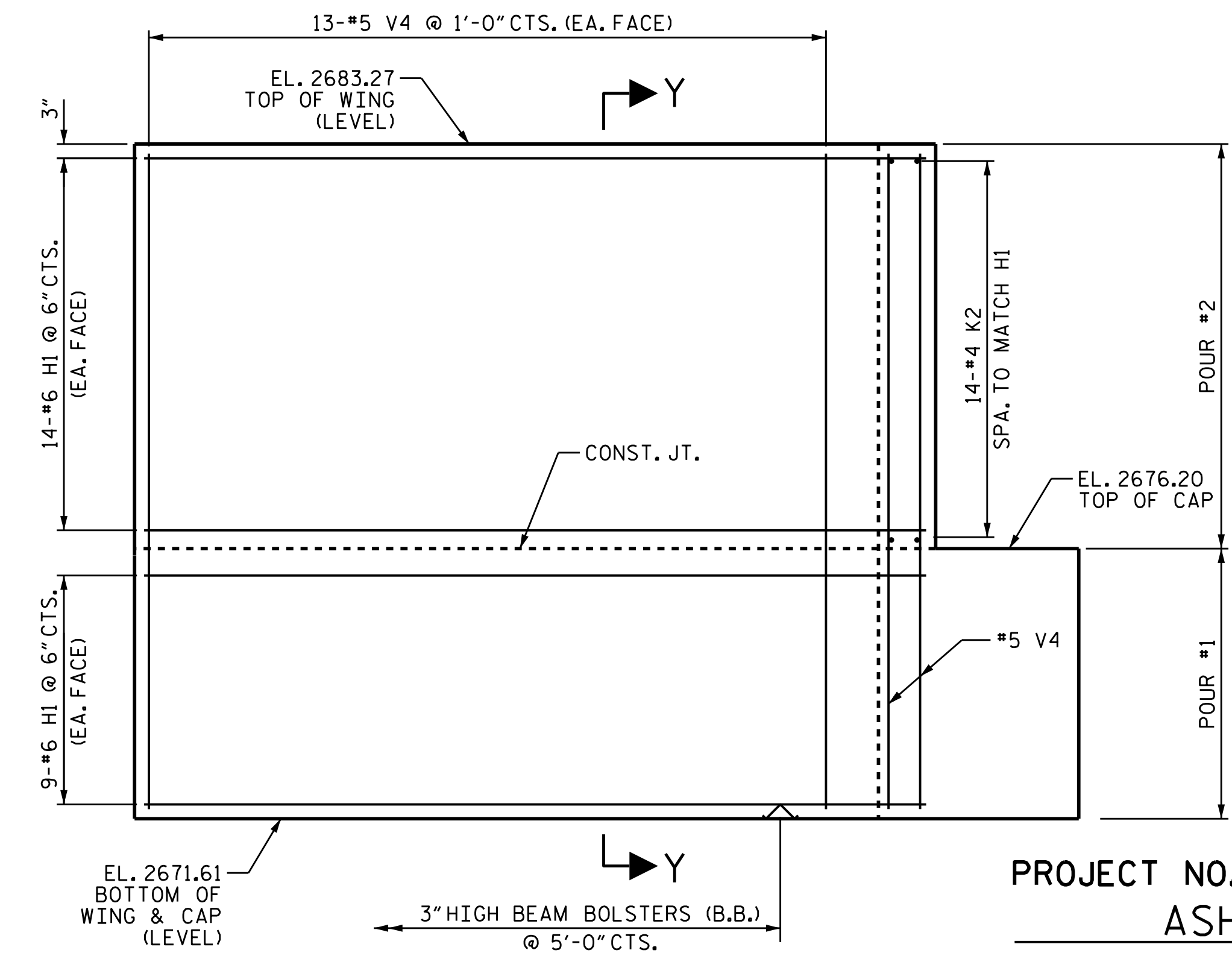
PLAN OF LEFT WING - W2  
(STAGE I)



ELEVATION OF RIGHT WING - W1  
(STAGE II)



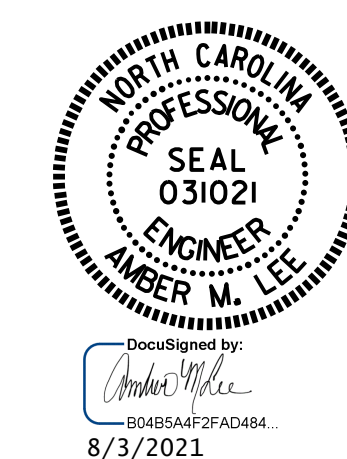
SECTION Y-Y



ELEVATION OF LEFT WING - W2  
(STAGE I)

PROJECT NO. BR-0002  
ASHE COUNTY  
STATION: 23+80.00 -L-

SHEET 3 OF 4



STATE OF NORTH CAROLINA  
DEPARTMENT OF TRANSPORTATION  
RALEIGH

SUBSTRUCTURE  
END BENT 1  
(WINGS)

DRAWN BY : A. SORSENGINH DATE : 06/2020  
CHECKED BY : K. PUROHIT DATE : 06/2020  
DESIGN ENGINEER OF RECORD : J. TILLMAN DATE : 12/2019

DOCUMENT NOT CONSIDERED  
FINAL UNLESS ALL  
SIGNATURES COMPLETED

REVISIONS						SHEET NO.
NO.	BY:	DATE:	NO.	BY:	DATE:	S-26
1			3			TOTAL SHEETS
2			4			40