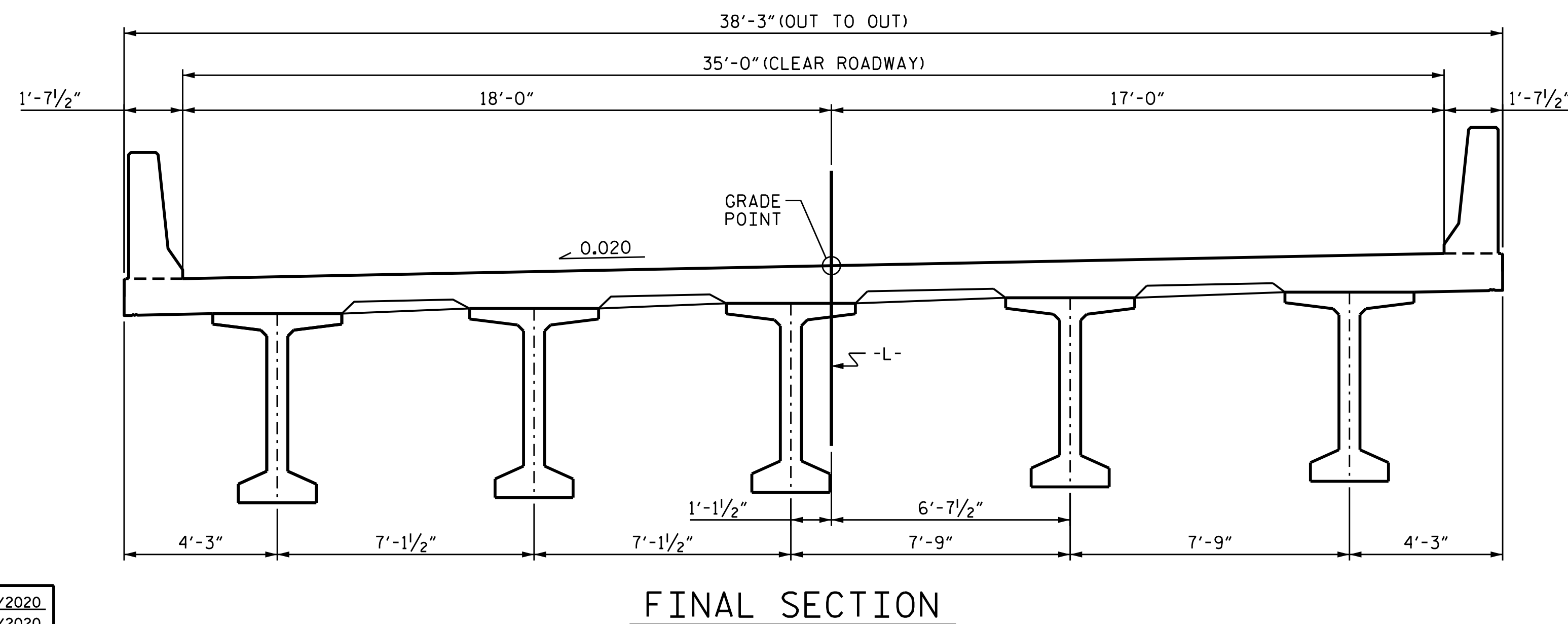
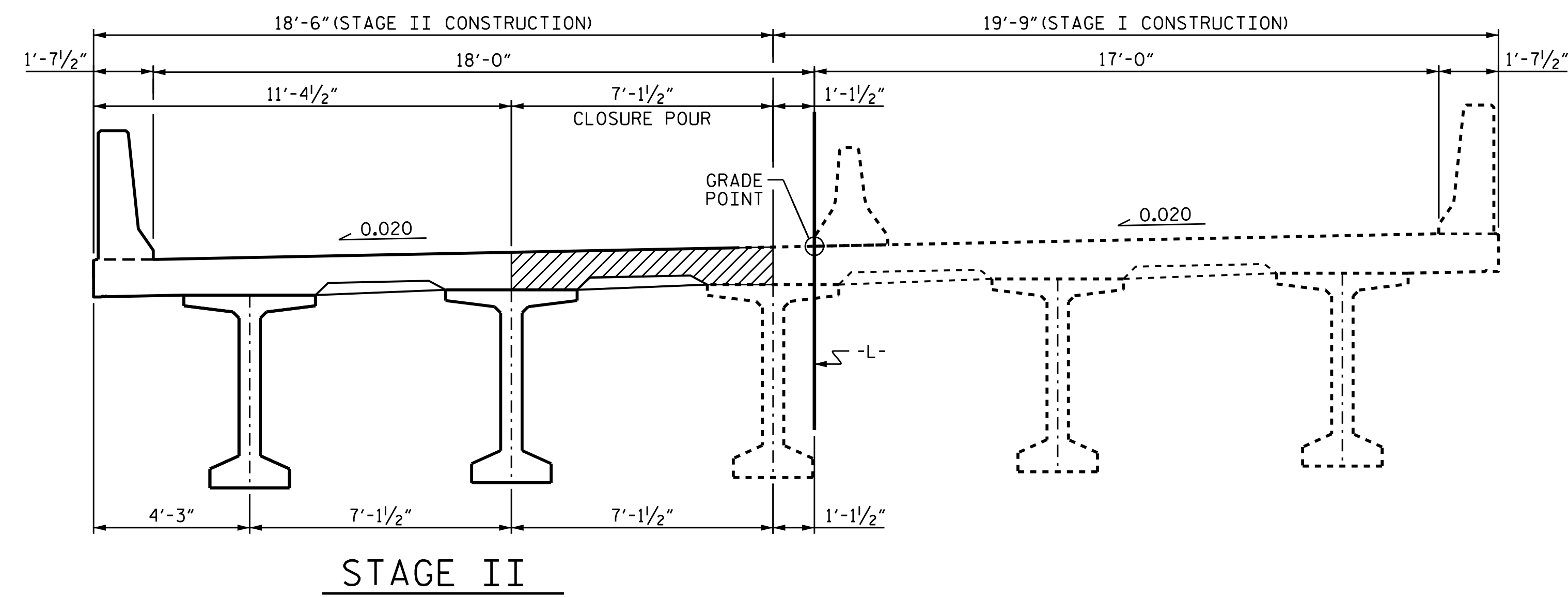
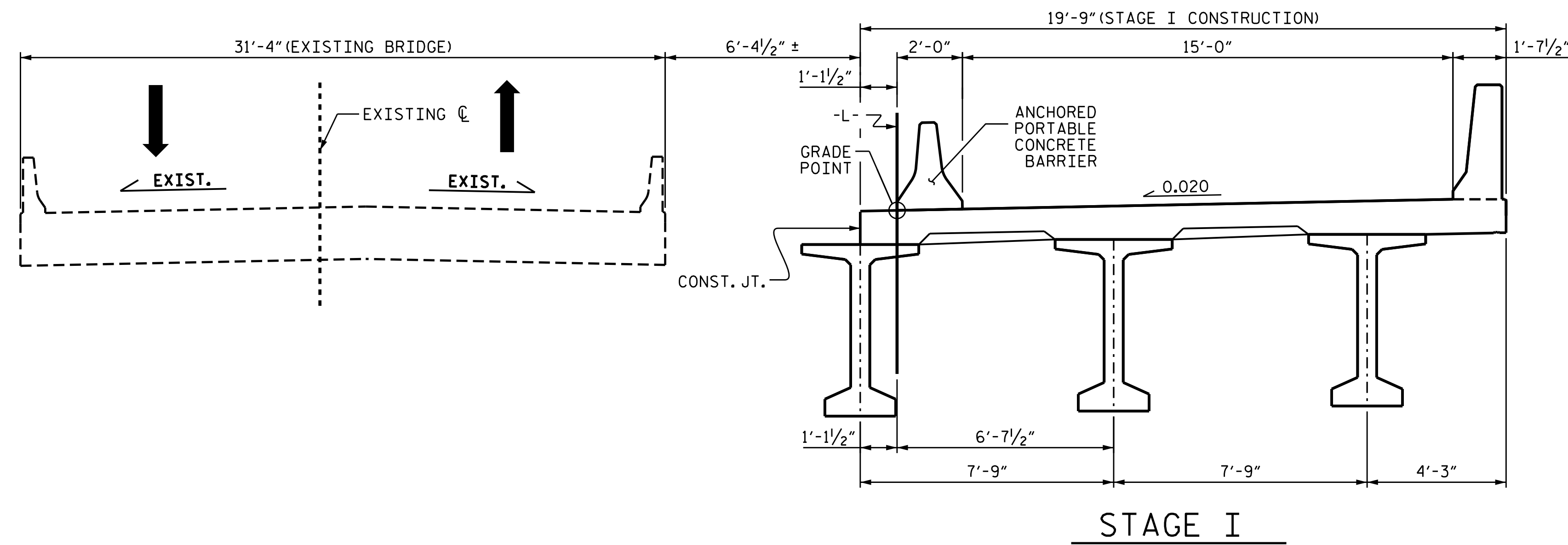
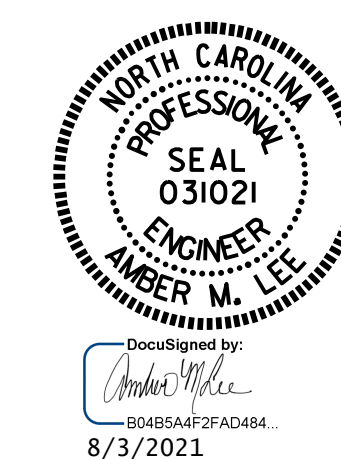


NOTES

SEE TRAFFIC CONTROL PLANS FOR LOCATION AND PAY LIMITS OF THE ANCHORED PORTABLE CONCRETE BARRIER RAIL.
FOR TRAFFIC PHASING, SEE TRAFFIC CONTROL PLANS.



PROJECT NO. BR-0002
ASHE COUNTY
STATION: 23+80.00 -L-



STATE OF NORTH CAROLINA
DEPARTMENT OF TRANSPORTATION
RALEIGH
CONSTRUCTION STAGING SEQUENCE

DRAWN BY : M. G. SHAIKH DATE : 06/2020
CHECKED BY : H. LOCKLEAR DATE : 06/2020
DESIGN ENGINEER OF RECORD: K. PUROHIT DATE : 11/2019

DOCUMENT NOT CONSIDERED FINAL UNLESS ALL SIGNATURES COMPLETED

REVISIONS						SHEET NO.
NO.	BY:	DATE:	NO.	BY:	DATE:	S-5
1			3			TOTAL SHEETS
2			4			40