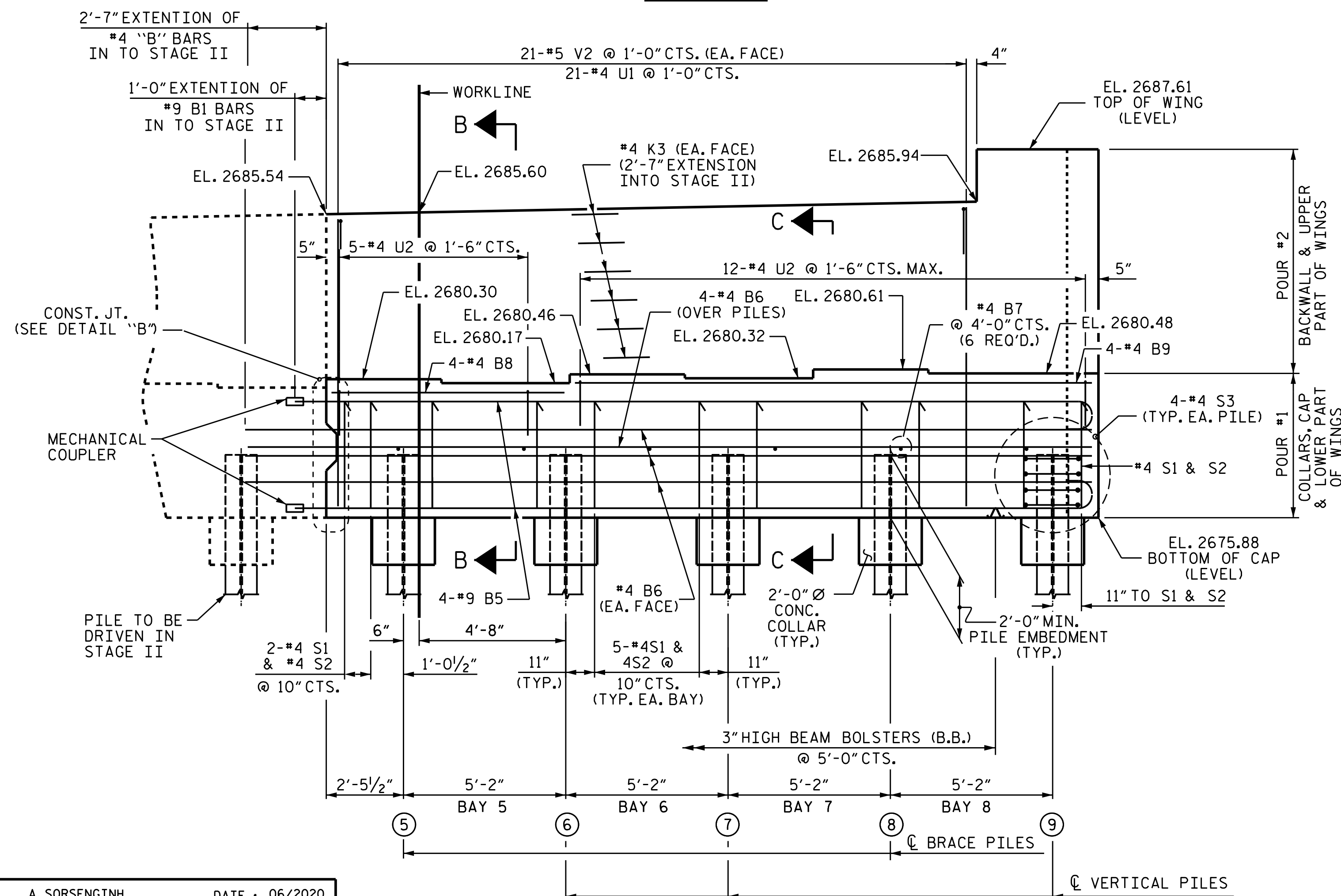
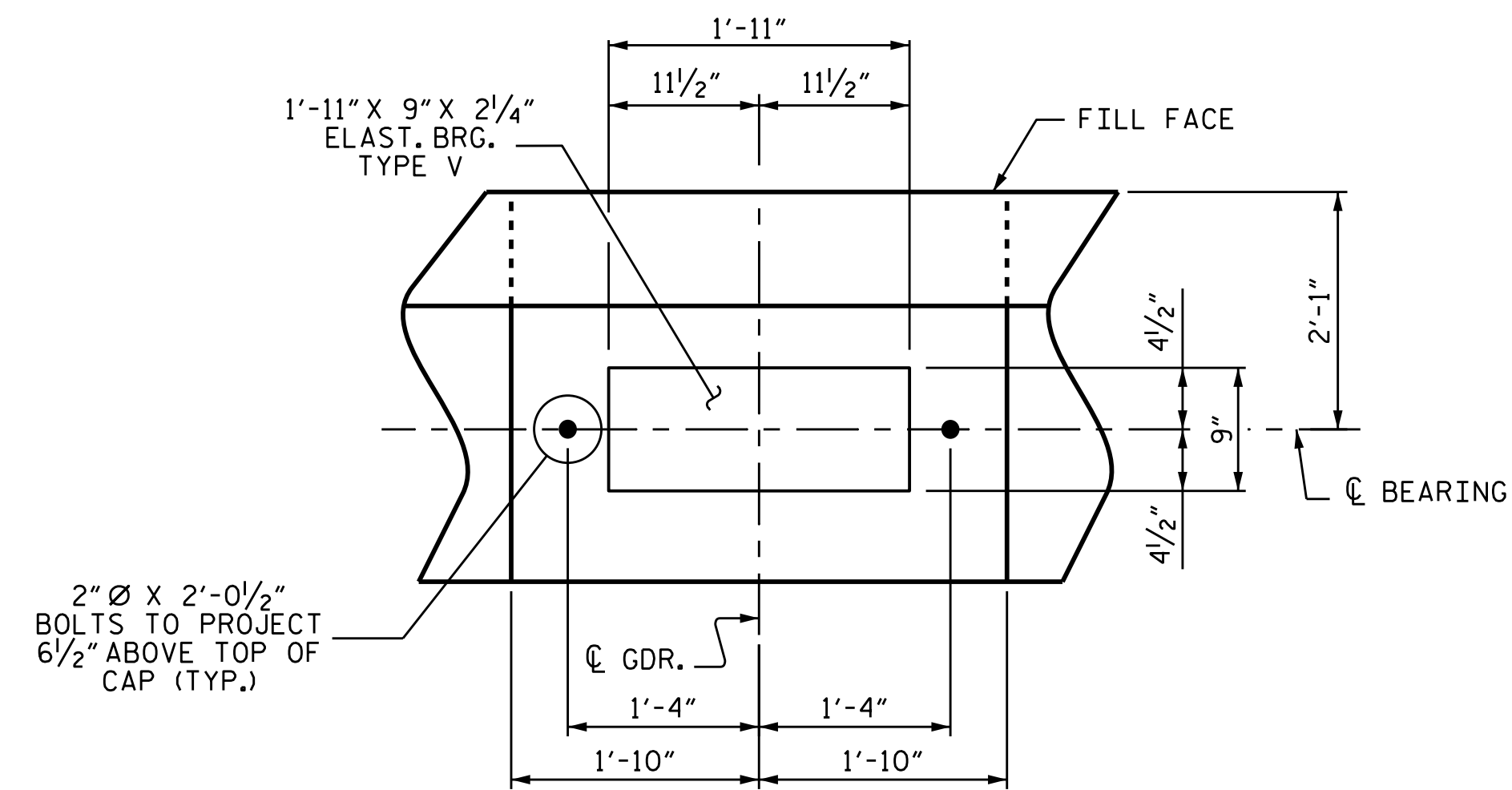


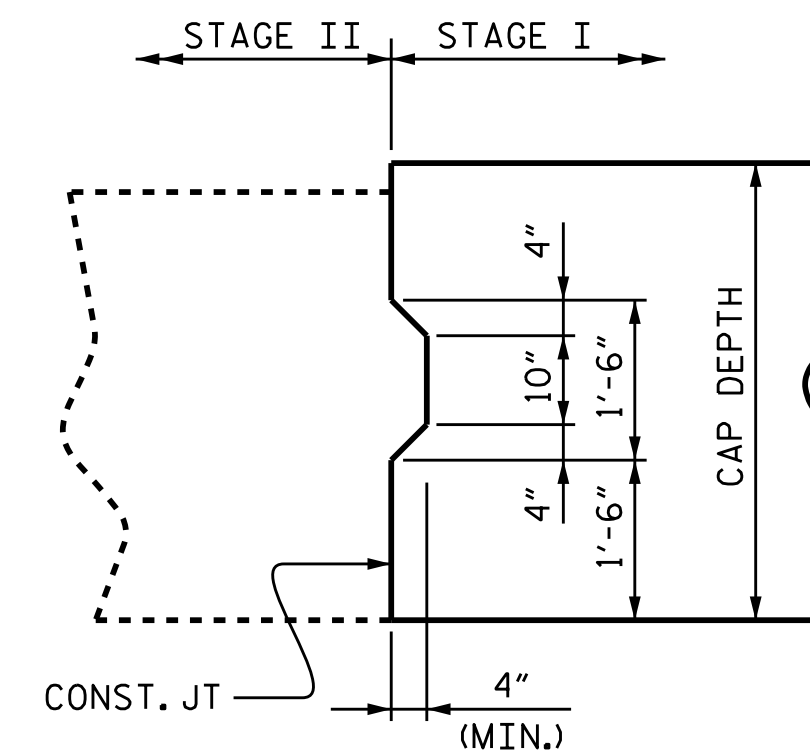
PLAN



ELEVATION



DETAIL "A"



DETAIL "B"

NOTES:

STIRRUPS IN CAP MAY BE SHIFTED AS NECESSARY TO CLEAR #5 "V" BARS.

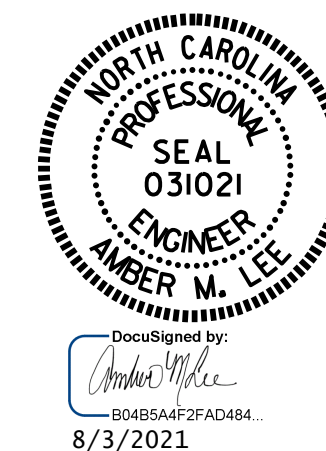
THE CONTRACTOR SHALL BE RESPONSIBLE FOR TEMPORARY DRAINAGE AND EROSION CONTROL AT THE END BENT.

THE TOP SURFACE AREAS OF THE END BENT CAPS SHALL BE CURED IN ACCORDANCE WITH THE STANDARD SPECIFICATIONS EXCEPT THE MEMBRANE CURING COMPOUND METHOD SHALL NOT BE USED.

BACKWALL SHALL BE PLACED BEFORE APPLYING THE EPOXY PROTECTIVE COATING.

DRAWN BY : A. SORSENGINH DATE : 06/2020
 CHECKED BY : K. PUROHIT DATE : 06/2020
 DESIGN ENGINEER OF RECORD : J. TILLMAN DATE : 12/2019

28-JUL-2021 15:49
 R:\Structures\Final Plans\400_069_BR-0002.SMU_E2_0034_040008.dgn
 omlee



DOCUMENT NOT CONSIDERED FINAL UNLESS ALL SIGNATURES COMPLETED

PROJECT NO. BR-0002
 ASHE COUNTY
 STATION: 23+80.00 -L-
 SHEET 1 OF 4

STATE OF NORTH CAROLINA
 DEPARTMENT OF TRANSPORTATION
 RALEIGH

SUBSTRUCTURE
 END BENT 2
 (STAGE I)

REVISIONS						SHEET NO.
NO.	BY:	DATE:	NO.	BY:	DATE:	S-34
1			3			TOTAL SHEETS 40
2			4			