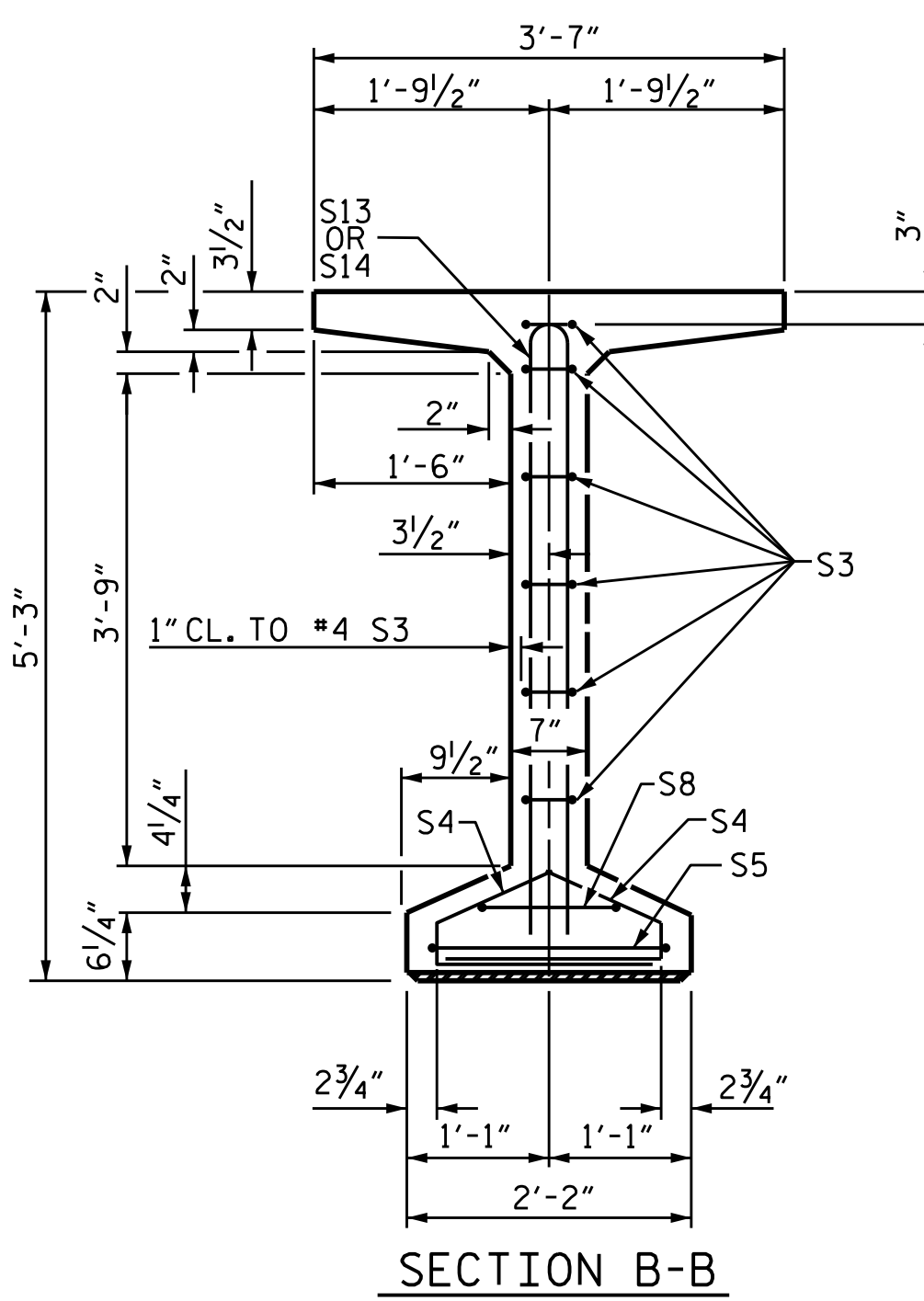
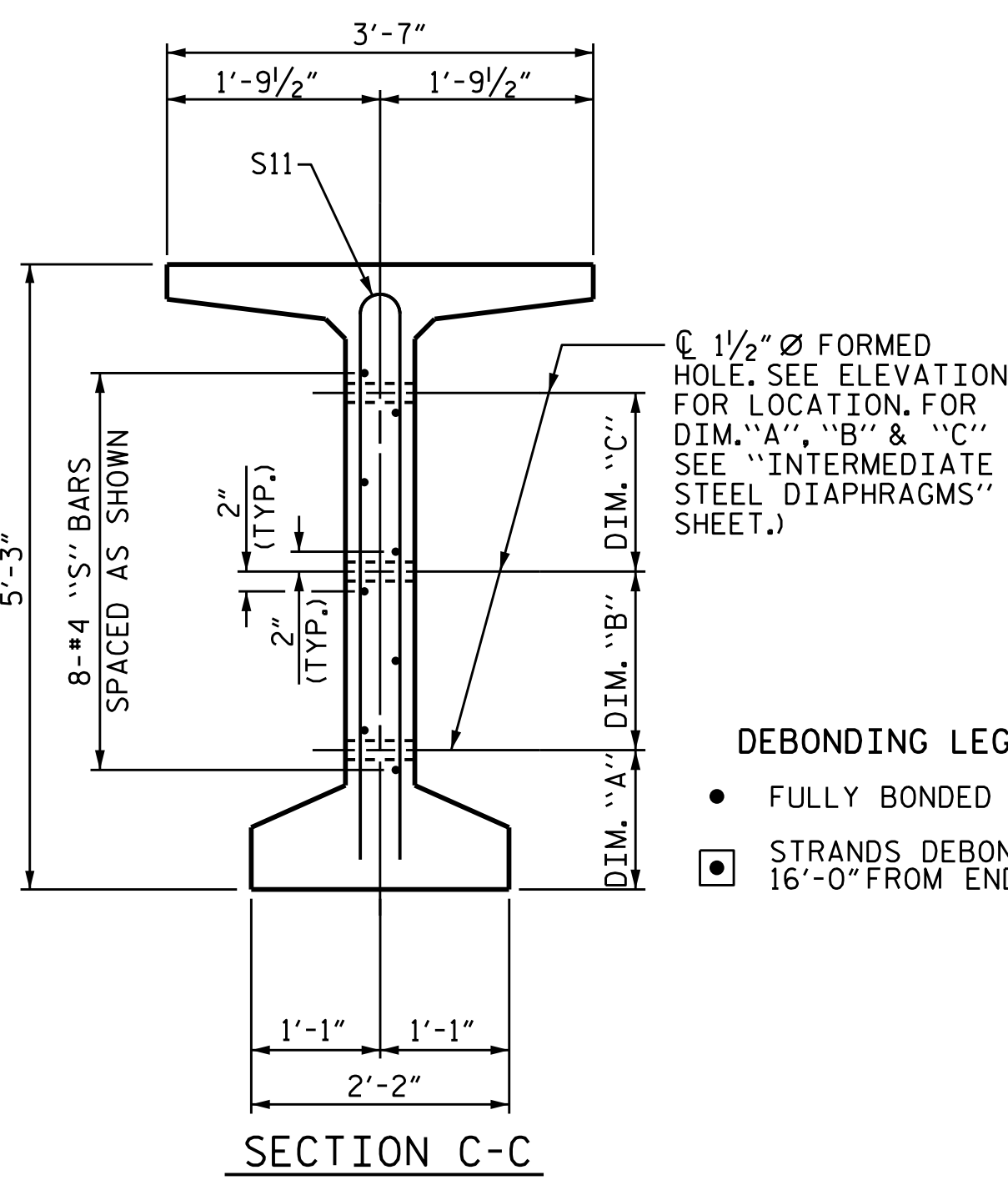


SECTION A-A



SECTION B-B



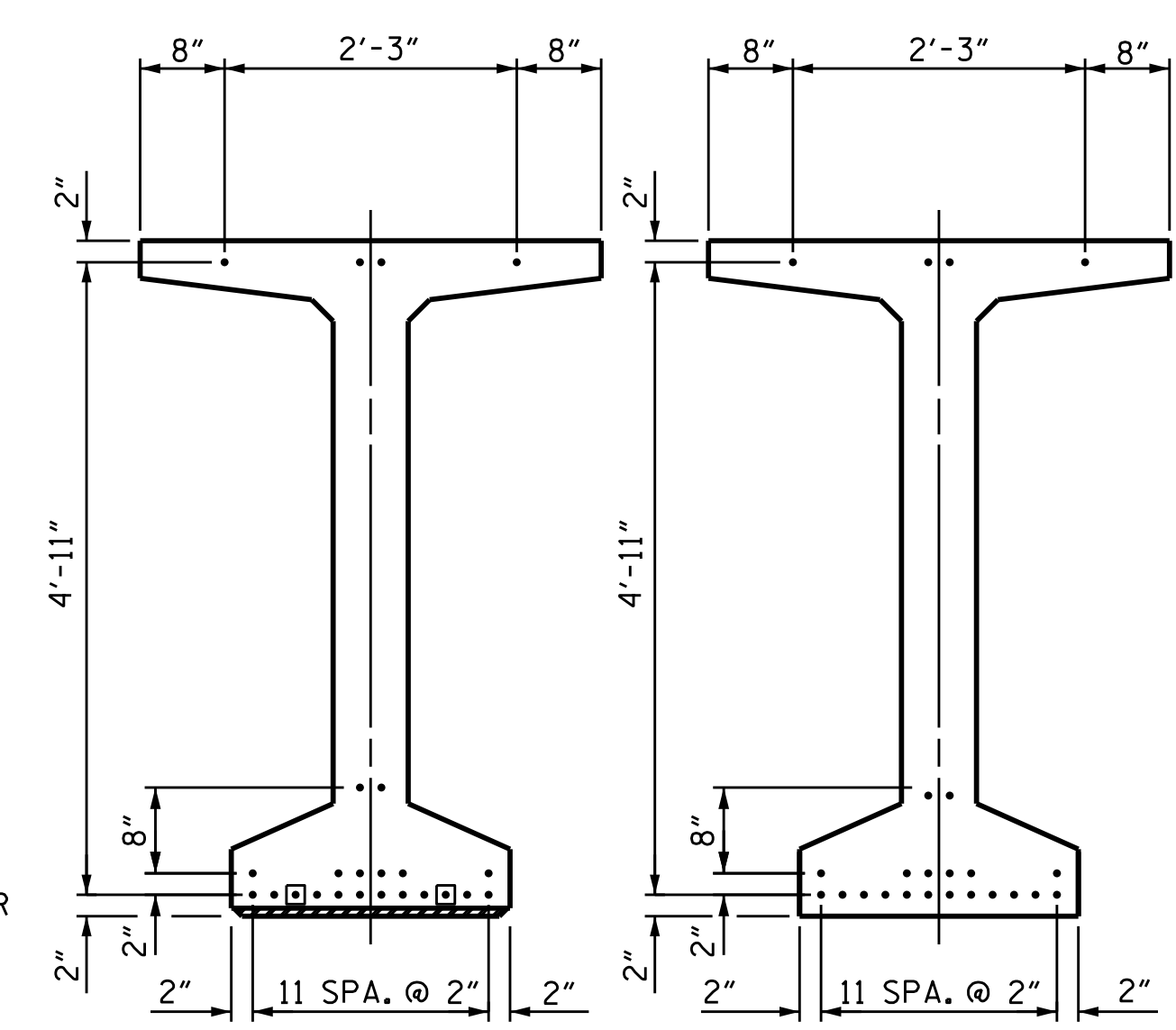
SECTION C-C

(S1, S6 AND S9 BARS NOT SHOWN)

1/2" Ø FORMED HOLE. SEE ELEVATION FOR LOCATION. FOR DIM. "A", "B" & "C" SEE "INTERMEDIATE STEEL DIAPHRAGMS" SHEET.)

DEBONDING LEGEND

- FULLY BONDED STRANDS
- STRANDS DEBONDED FOR 16'-0" FROM END OF GIRDER



AT END OF GIRDER AT C OF GIRDER  
0.6" Ø LOW RELAXATION STRAND LAYOUT

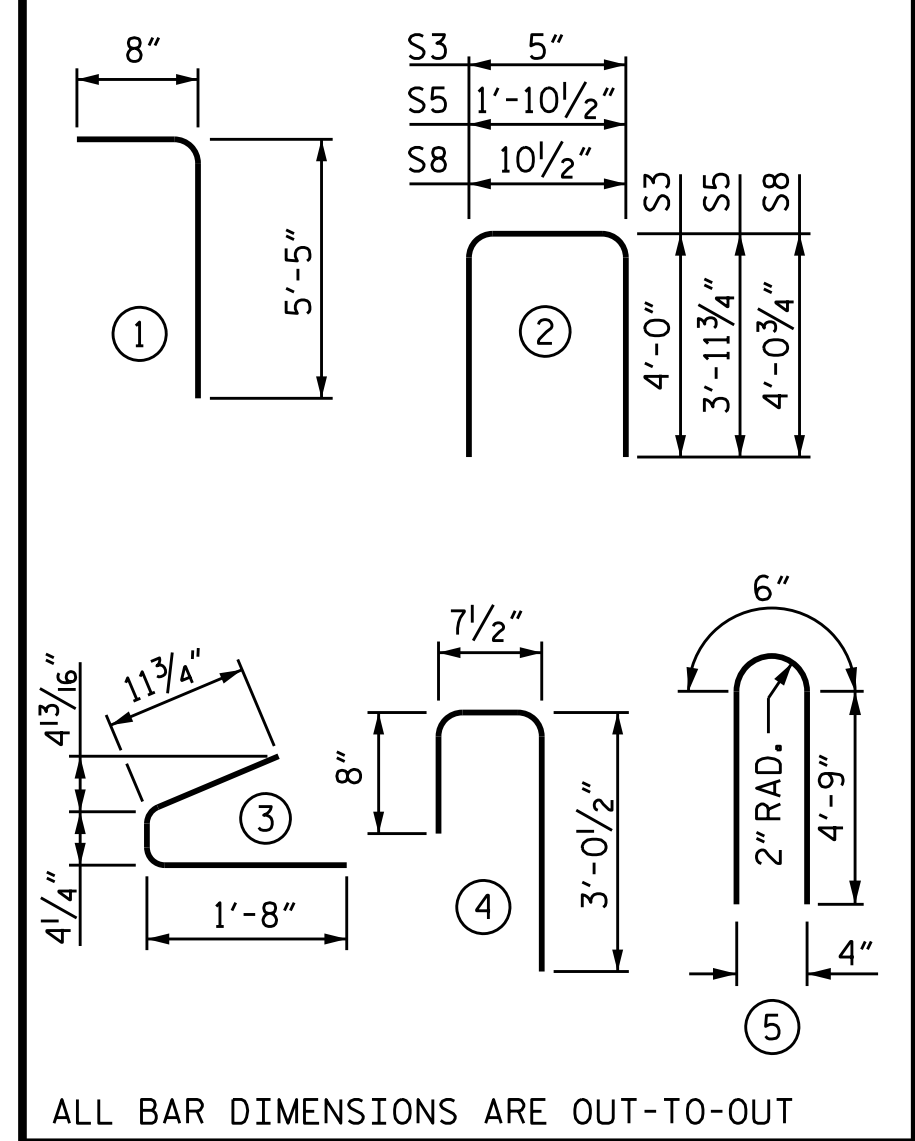
0.6" Ø L. R. GRADE 270 STRANDS

AREA (SQUARE INCHES)	ULTIMATE STRENGTH (LBS. PER STRAND)	APPLIED PRESTRESS (LBS. PER STRAND)
0.217	58,600	43,950

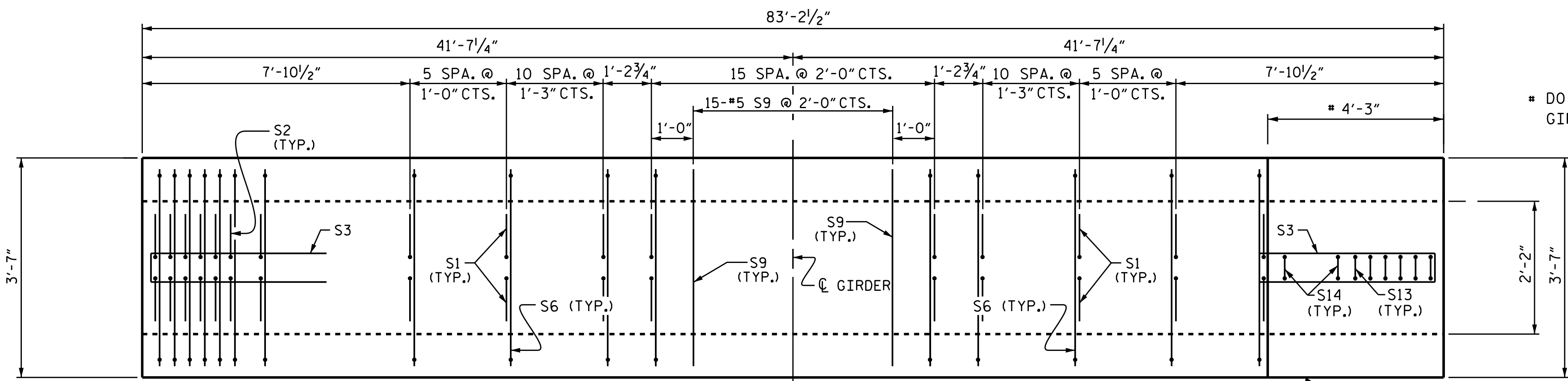
REINFORCING STEEL FOR ONE GDR

BAR	NUMBER	SIZE	TYPE	LENGTH	WEIGHT
S1	140	#4	1	6'-1"	569
S2	12	#5	1	6'-1"	76
S3	12	#4	2	8'-5"	67
S4	72	#4	3	3'-0"	144
S5	2	#5	2	9'-10"	21
S6	152	#5	4	4'-4"	689
S8	2	#5	2	9'-0"	19
S9	15	#5	STR	3'-3"	51
S11	4	#5	5	10'-0"	42
S12	8	#4	STR	8'-0"	43
S13	6	#5	5	10'-0"	63
S14	4	#4	5	10'-0"	27

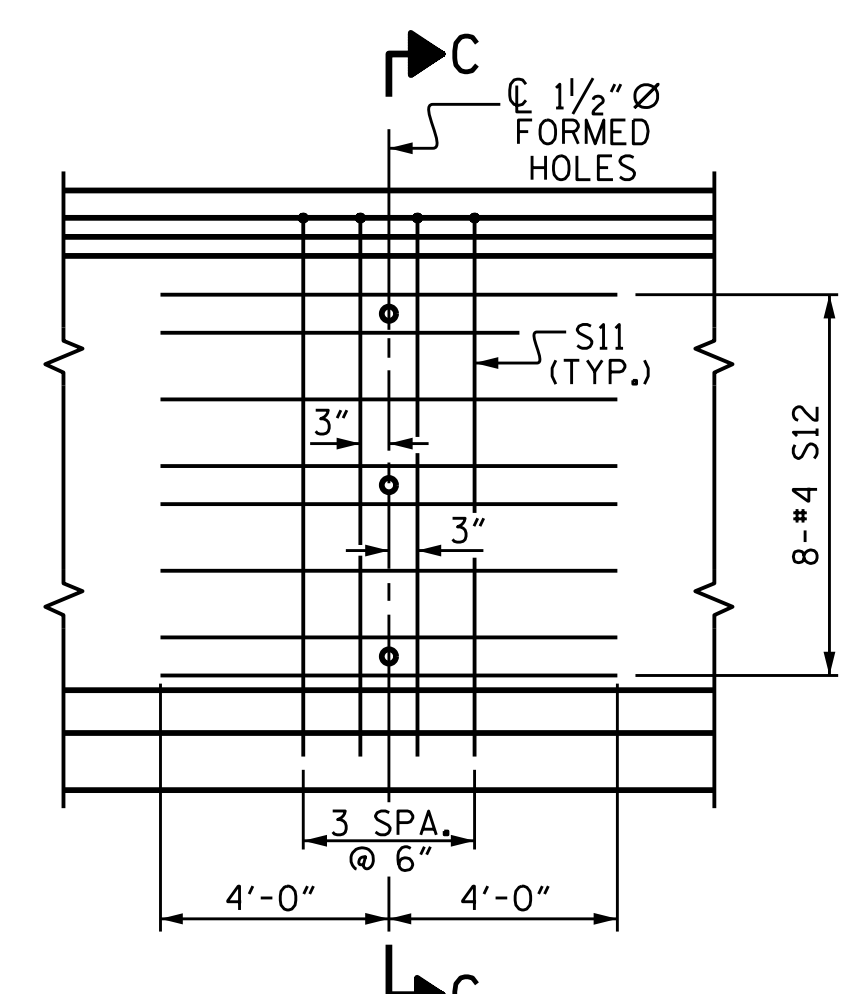
BAR TYPES



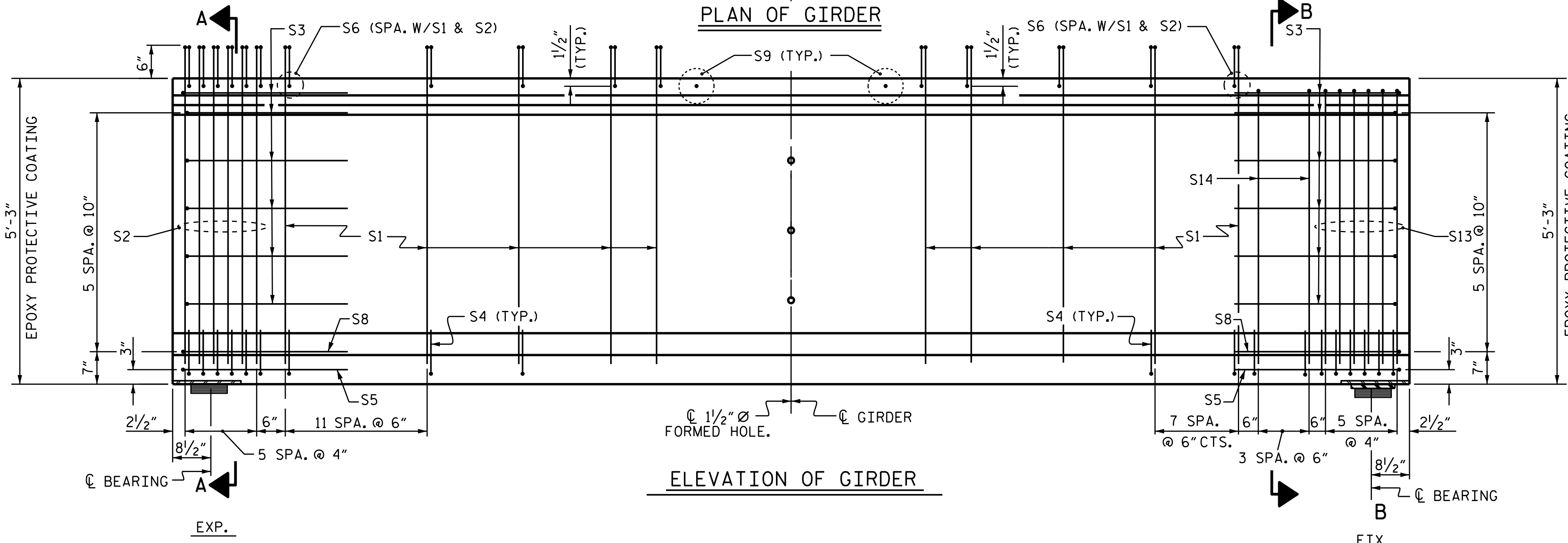
ALL BAR DIMENSIONS ARE OUT-TO-OUT



PLAN OF GIRDER



PARTIAL ELEVATION  
SHOWING INTERMEDIATE STEEL DIAPHRAGM REINFORCING STEEL FOR ALL GIRDERS



ELEVATION OF GIRDER

QUANTITIES FOR ONE GIRDER

REINFORCING STEEL	5,500 PSI CONCRETE	0.6" Ø L.R. STRANDS
LB.	C.Y.	No.
1811	16.5	24

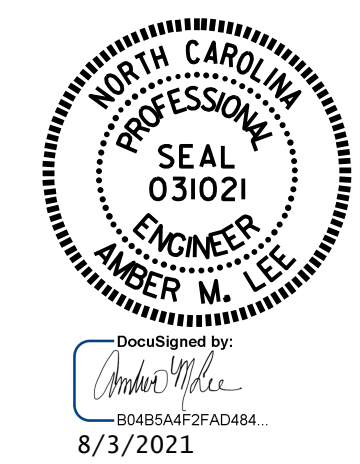
GIRDERS REQUIRED

NUMBER	LENGTH	TOTAL LENGTH
5	83'-2 1/2"	416'-0 1/2"

PROJECT NO. BR-0002  
ASHE COUNTY  
STATION: 23+80.00 -L-

SHEET 1 OF 4

STATE OF NORTH CAROLINA  
DEPARTMENT OF TRANSPORTATION  
RALEIGH  
STANDARD  
63" PRESTRESSED CONCRETE  
MODIFIED BULB TEE  
CONTINUOUS FOR LIVE LOAD  
(SPAN A & C)



ASSEMBLED BY: M. G. SHAIKH	DATE: 06/2020
CHECKED BY: A. LEE	DATE: 06/2020
DRAWN BY: EEM 2/6/97	REV. 6/13 MAA/GM

DOCUMENT NOT CONSIDERED FINAL UNLESS ALL SIGNATURES COMPLETED

REVISIONS						SHEET NO.
NO.	BY:	DATE:	NO.	BY:	DATE:	S-15
1			3			TOTAL SHEETS 40