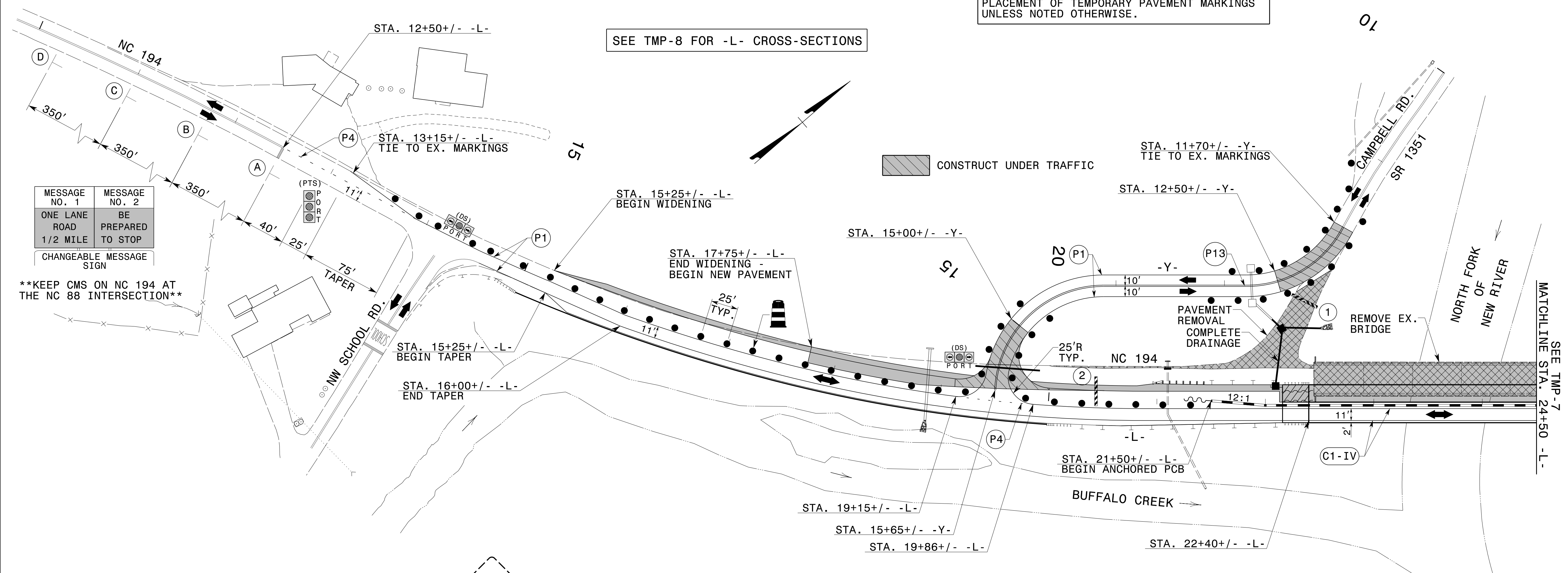


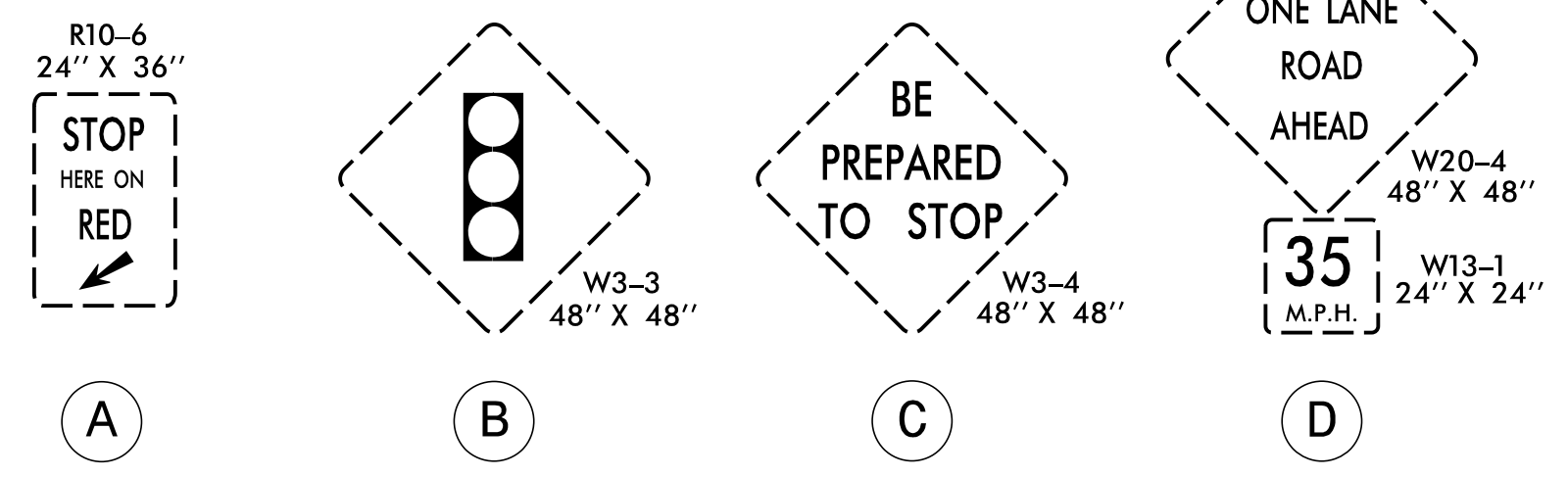
TEMPORARY PAVEMENT MARKING LEGEND	
C1(IV)	- COLD APPLIED PLASTIC (TYPE 4) - WHITE EDGELINE - (4")
P1	- PAINT - WHITE EDGELINE - (4")
P4	- PAINT - WHITE MINISKIP - (4")
P13	- PAINT - YELLOW DOUBLE CENTER - (4")

REFER TO RSD NOS. 1205.01 AND 1205.02 FOR PLACEMENT OF TEMPORARY PAVEMENT MARKINGS UNLESS NOTED OTHERWISE.

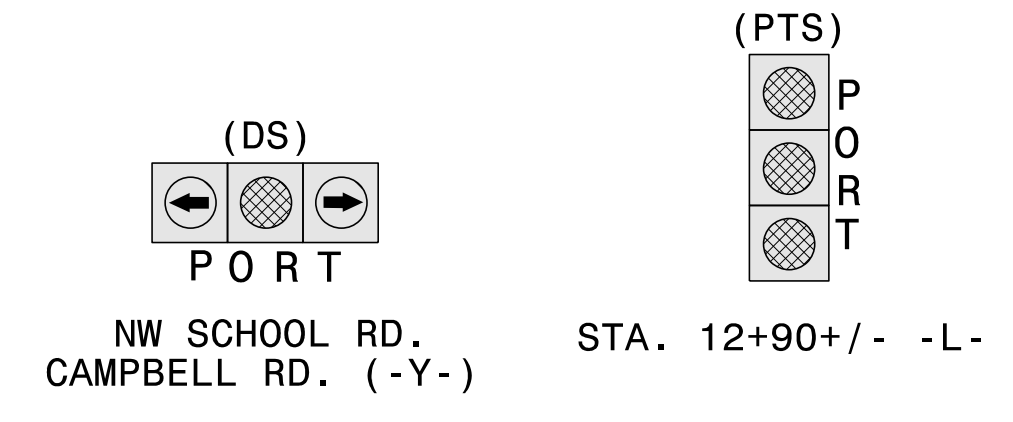


MESSAGE NO. 1	MESSAGE NO. 2
ONE LANE ROAD 1/2 MILE	BE PREPARED TO STOP
CHANGEABLE MESSAGE SIGN	

KEEP CMS ON NC 194 AT THE NC 88 INTERSECTION



CONTRACTOR SHALL MAINTAIN ACCESS TO ALL DRIVEWAYS



APPROVED: *Karen Davis*
 DATE: 8/16/2021

DOCUMENT NOT CONSIDERED FINAL UNLESS ALL SIGNATURES COMPLETED



PHASE II DETAILS

4/24/2020 0:00 Division\BR00002\TrafficControl\TCP\BR0002_TC_PH2_TMP06.dgn User:KEDAS