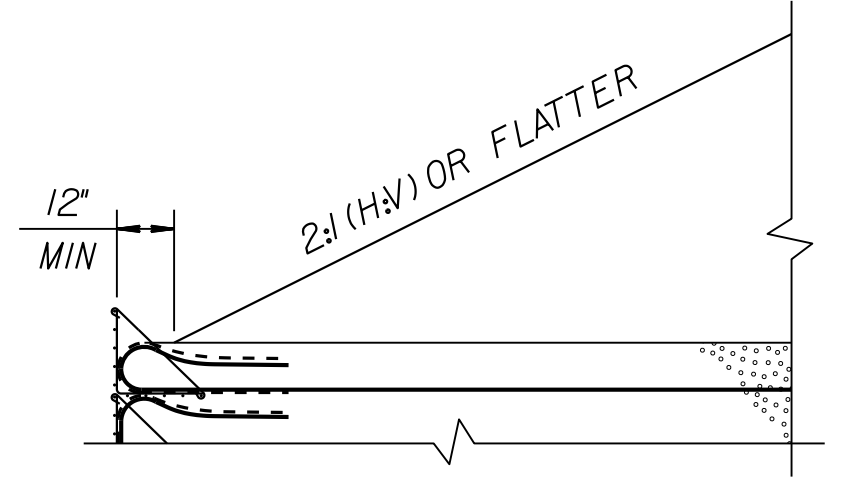
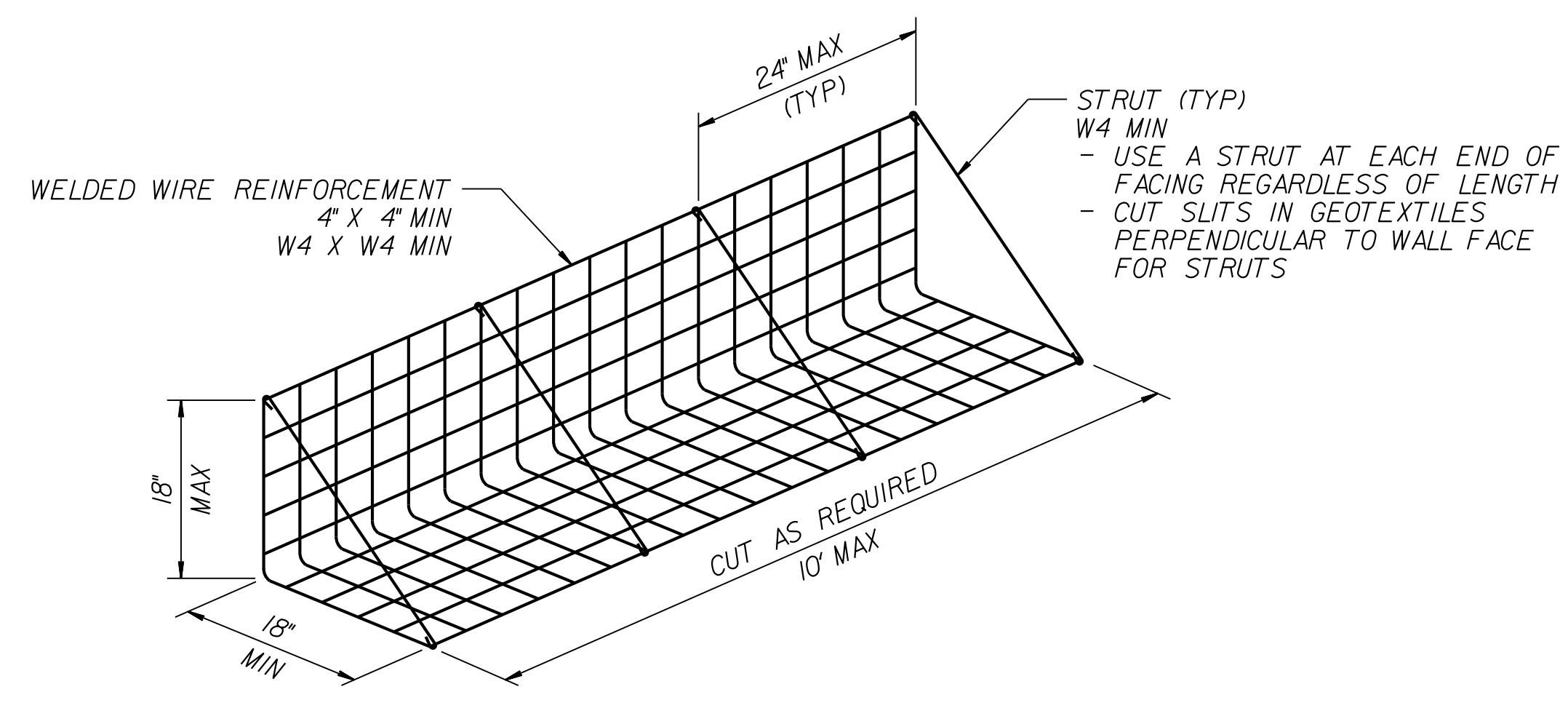


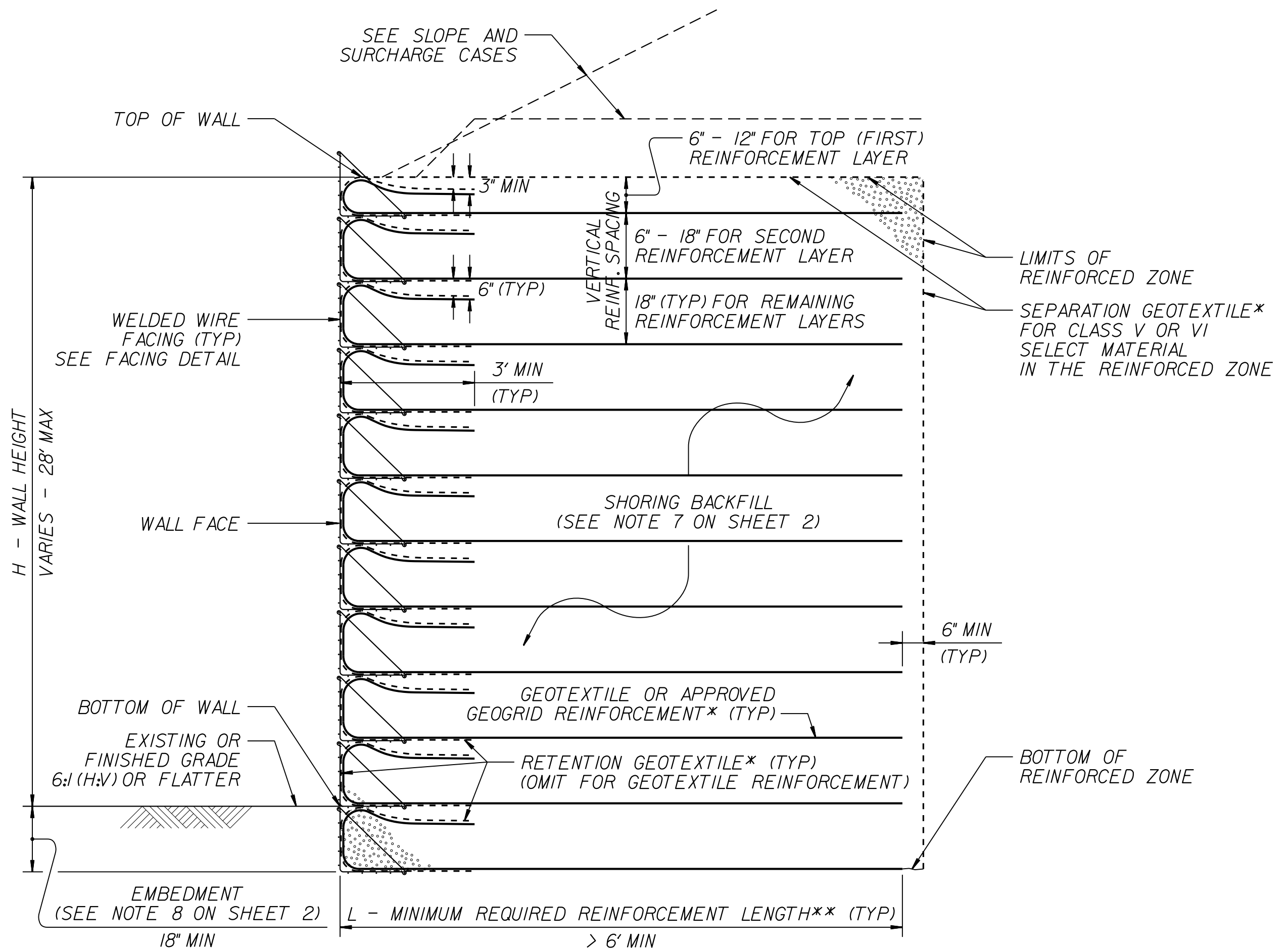
SURCHARGE CASE



SLOPE CASE

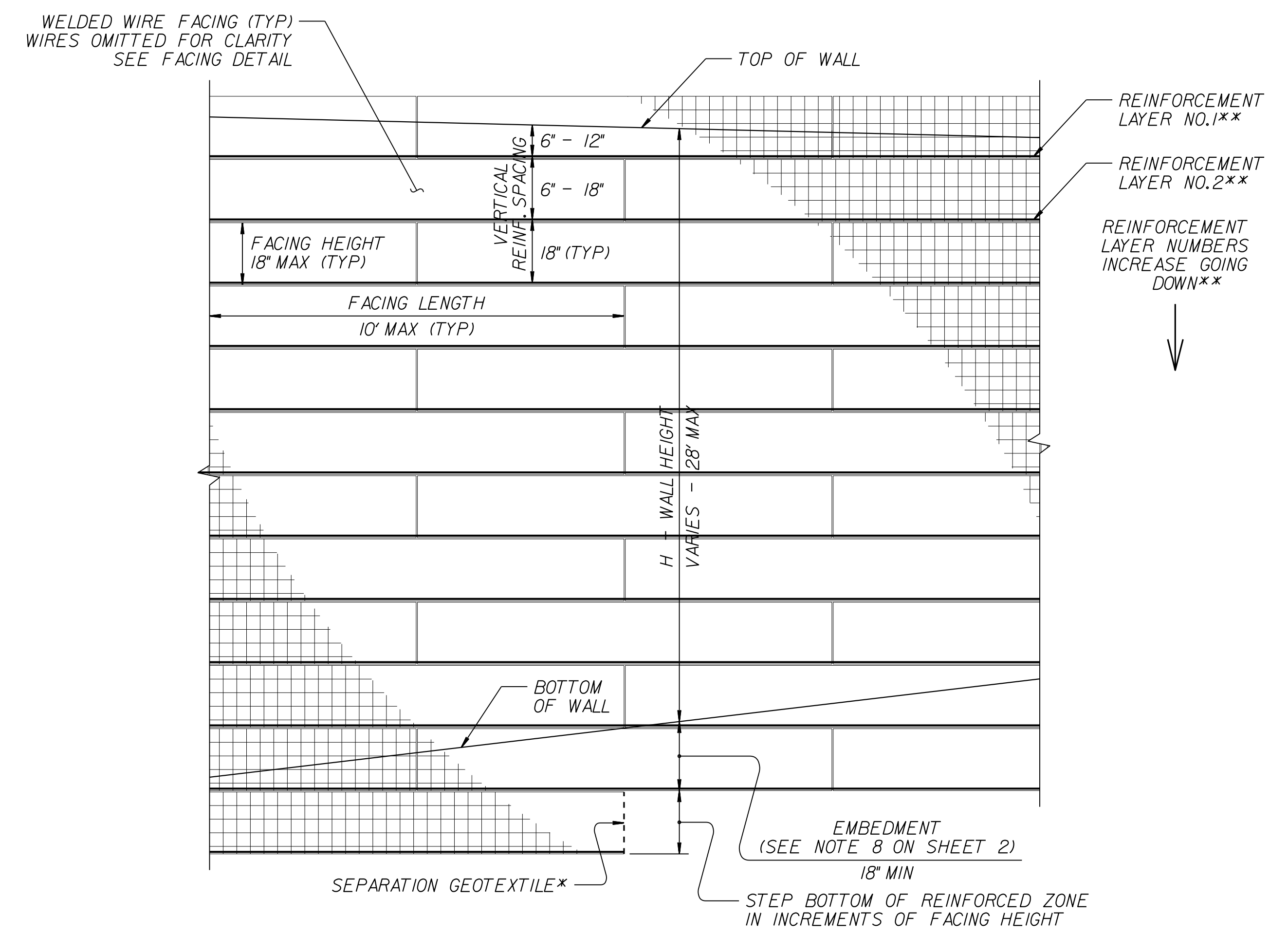


FACING DETAIL



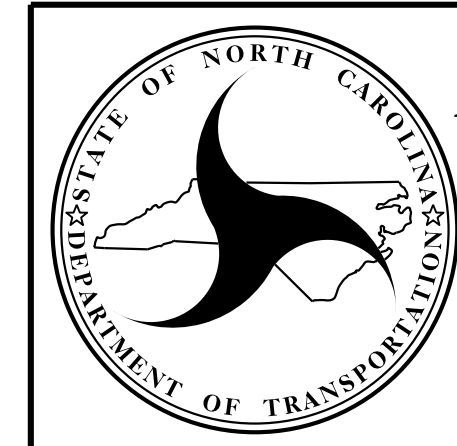
STANDARD TEMPORARY WALL

(FOR STANDARD TEMPORARY WALLS ON STRUCTURES, SEE TEMPORARY WALL ON STRUCTURE DETAIL ON SHEET 2.)
 *SEE GEOSYNTHETIC PLACEMENT DETAILS ON SHEET 2.
 **SEE REINFORCEMENT TABLES ON SHEET 3.



STANDARD TEMPORARY WALL - PARTIAL ELEVATION

*SEE GEOSYNTHETIC PLACEMENT DETAILS ON SHEET 2.
 **SEE REINFORCEMENT TABLES ON SHEET 3.



NORTH CAROLINA
 DEPARTMENT OF TRANSPORTATION
 DIVISION OF HIGHWAYS

**GEOTECHNICAL
 ENGINEERING UNIT**

STANDARD DETAIL NO. 1801.02

STANDARD
 TEMPORARY WALL
 SHEET 1 OF 3